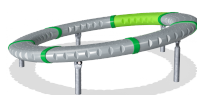
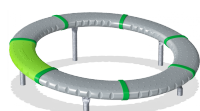
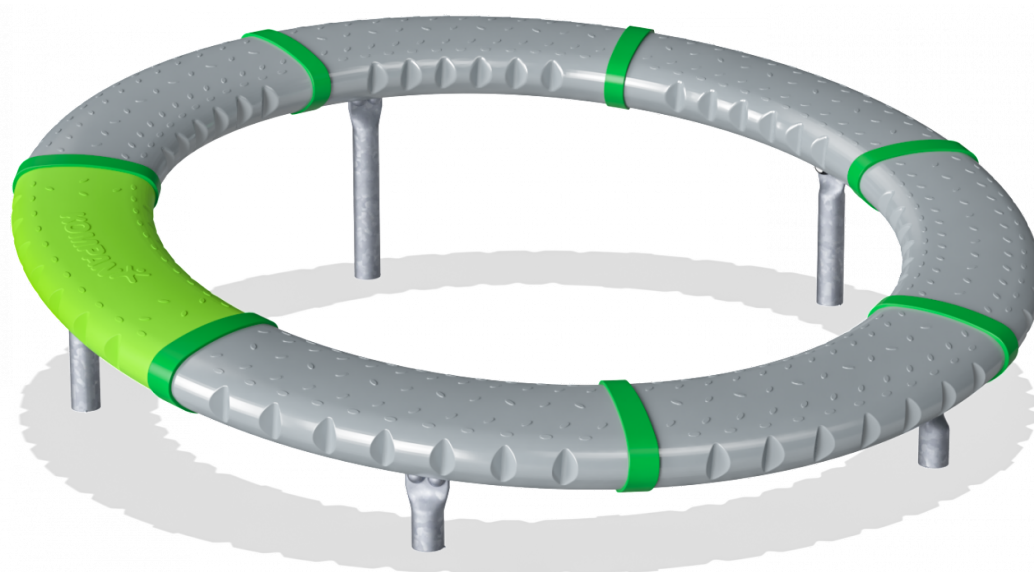


GXY916 Supernova



Use your strength and hold your balance! This seems to be the best way to describe the kind of play that takes place on the Supernova. A single child can engage in exploring its possibilities, but together with a whole group of children, this play item expresses its real potential. The large, slanting ring is set in motion by the children. Turning, spinning, balancing or just enjoying the ride are among the countless play options of the Supernova.

Product Line	Traditional Play
Category	Supernova, carousels & spinners
Age group	6 - 15
Max. fall height (CM)	100
Total height (CM)	60
Safety Zone	28.9 m ²



SPIN



SOCIALIZE



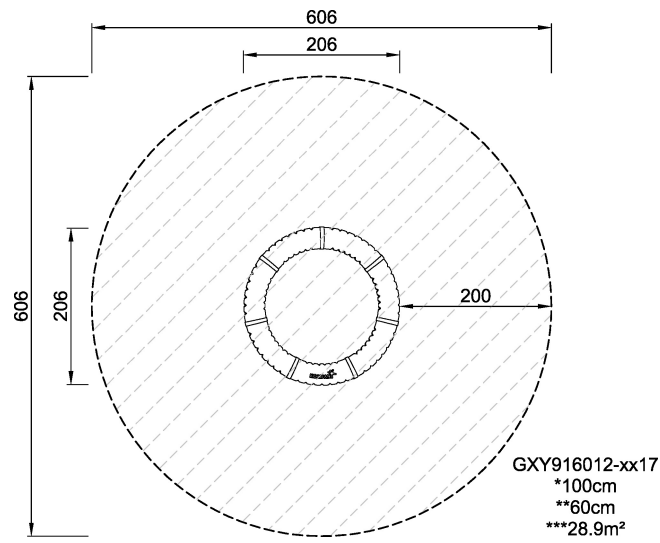
BALANCE



INCLUSIVE



**SUR-
FACE**



* = Highest designated play surface.
** = Total height of product.

Weight/heaviest parts	kg.	Installation (Manpower)	Persons
Concrete required	NaN m ³	Installation (Hours)	Hours
Foundation amount/footing	NaN	Excavation	NaN m ³