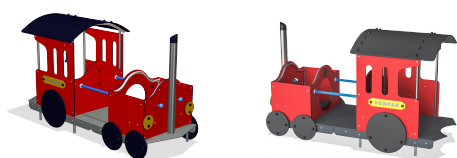


M525 Steam Engine



The driver's cab features a bench, various knobs and handles for steering the train, whilst the boiler house in front is the shape of an amazing cave with several entrances. A smart addition is the open playroom with seating for two, which is snugly situated just behind the chimney.

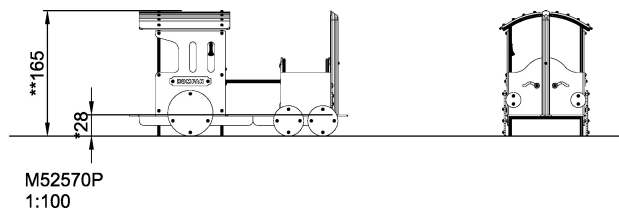
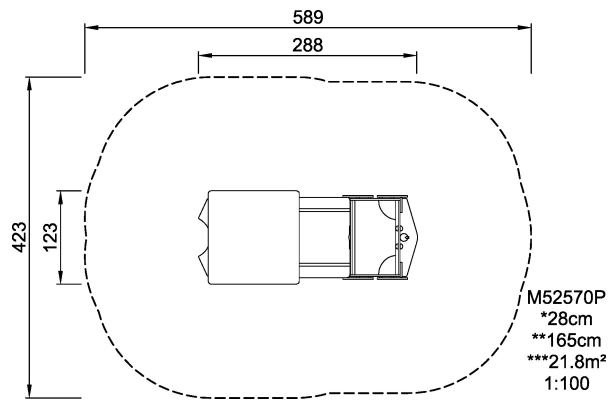
Product Line	Themed Play
Category	Vehicles & ships
Age group	2 - 6
Max. fall height (CM)	28
Total height (CM)	165
Safety Zone	21.8 m ²



SUR-
FACE



ASTM



* = Highest designated play surface.
** = Total height of product.

Weight/heaviest parts	kg.	Installation (Manpower)	Persons
Concrete required	NaN m ³	Installation (Hours)	Hours
Foundation amount/footing	NaN	Excavation	NaN m ³