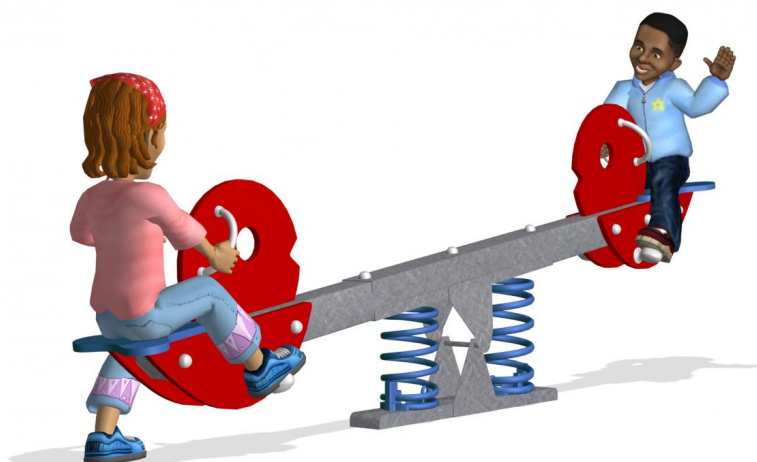


M141 Spring Seesaw



This item of playground equipment is a cut-above the traditional seesaw. The double spring construction not only allows for a more comfortable ride but also for a higher level of safety. If a child should jump off in the middle of a ride, the special strong spring stops the child on the other end from hitting the ground with a bump. In addition the stabilizer in the middle stops the seesaw from rocking from side to side, as can happen on many older types of seesaw.

Product Line	Traditional Play
Category	Seesaws
Age group	3 - 8
Max. fall height (CM)	100
Total height (CM)	92
Safety Zone	11.2 m2



SOCIALIZE



ROCK



DRAMATIC
PLAY



INCLUSIVE

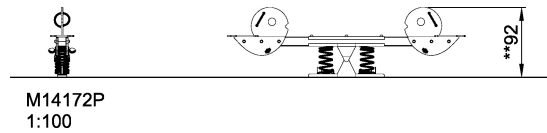
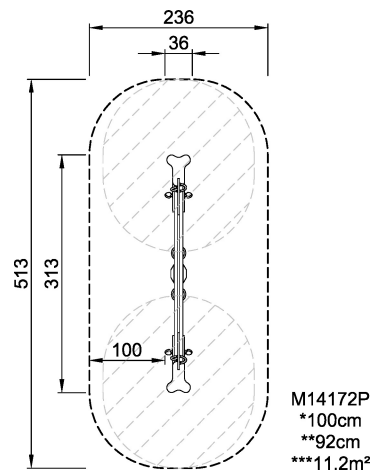


SUR-
FACE



ADA / INCLUSIVE

ASTM



* = Highest designated play surface.
** = Total height of product.

Weight/heaviest parts	kg.	Installation (Manpower)	Persons
Concrete required	NaN m ³	Installation (Hours)	Hours
Foundation amount/footing	NaN	Excavation	NaN m ³