

# ELE400016 Slide Tower



The Slide Tower offers space for both sliding on the slide as well as providing a good overview from the observation spot at the curved panels. The antenna can be used as a signal to the next slider.

<b>Product Line</b>	Multi play structures
<b>Category</b>	ELEMENTS™
<b>Age group</b>	2 - 6
<b>Max. fall height (CM)</b>	120
<b>Total height (CM)</b>	215
<b>Safety Zone</b>	19.9 m2



SOCIALIZE



SLIDE



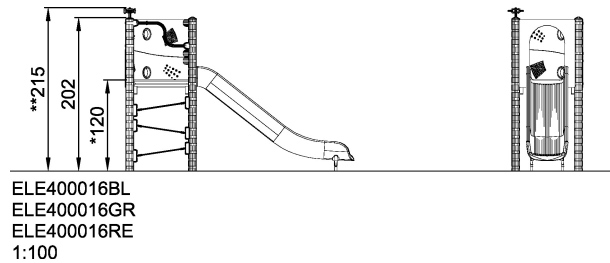
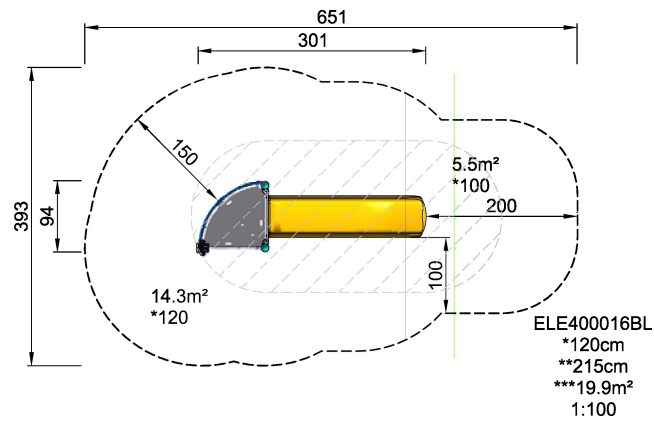
CONSTRUCT



DRAMATIC PLAY



**SUR-  
FACE**



\* = Highest designated play surface.  
\*\* = Total height of product.

<b>Weight/heaviest parts</b>	kg.	<b>Installation (Manpower)</b>	Persons
<b>Concrete required</b>	NaN m3	<b>Installation (Hours)</b>	Hours
<b>Foundation amount/footing</b>	NaN	<b>Excavation</b>	NaN m3