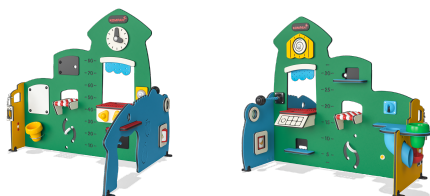


MSV603 Shop & Kitchen



The themes of Shop and Kitchen hold an eternal attraction for the slightly older children. They are recognizable and close to the toddler world, and playing cooking or selling are two of the most appealing pretend and role play activities. On the wall items can be measured in centimeters or inches. The shop side has a counter, a conveyer belt, a switch, a microphone, a cash opening and a side table with a blue tube for change back. A Play Book text with curriculum supportive games, made by the KOMPAN Play Institute, can be ordered.

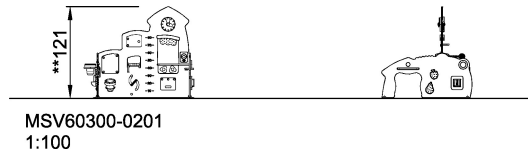
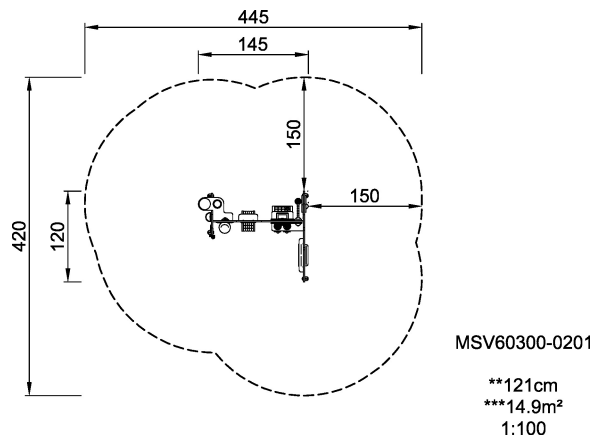
Product Line	Themed Play
Category	Toddler play for supervised areas
Age group	1 - 4
Total height (CM)	121
Safety Zone	14.9 m ²



**SUR-
FACE**



ASTM



* = Highest designated play surface.
** = Total height of product.

Weight/heaviest parts	kg.	Installation (Manpower)	Persons
Concrete required	NaN m ³	Installation (Hours)	Hours
Foundation amount/footing	NaN	Excavation	NaN m ³