

PCM111201

Play Tower with Swing, Basic, Plastic Slide

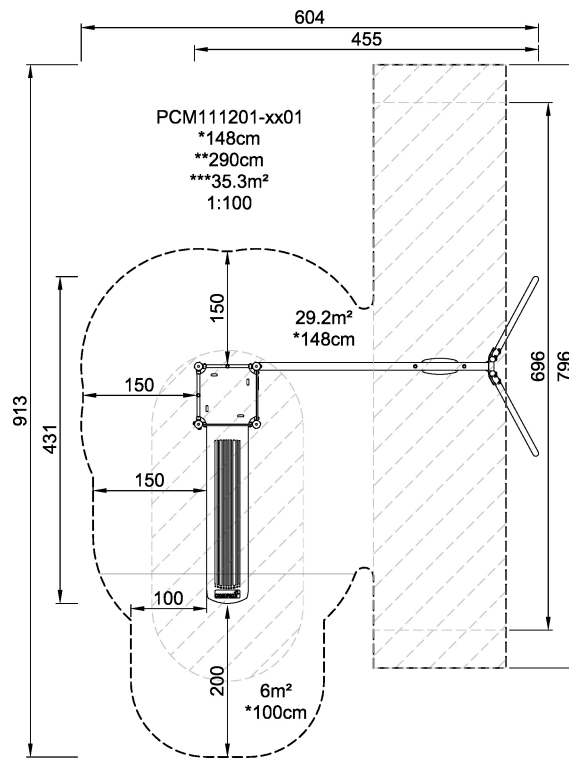


The combination of climbing, swinging and sliding is the recipe for great fun for school age children. The platform with the slide can be entered by the climbing wall or the sturdy stair rungs, and from the platform a stomach-tickling slide ride takes the child back to the ground. The swing is great fun and a feature that can be used by all generations, seated, lying on the stomach or standing.

Product Line	Multi play structures
Category	MOMENTS™ School age
Age group	4 - 10
Max. fall height (CM)	148
Total height (CM)	290
Safety Zone	35.3 m ²



**SUR-
FACE**



* = Highest designated play surface.
** = Total height of product.

Weight/heaviest parts	kg.	Installation (Manpower)	Persons
Concrete required	NaN m3	Installation (Hours)	Hours
Foundation amount/footing	NaN	Excavation	NaN m3