

PCM110401

Play Tower with Roof, Basic, Plastic Slide

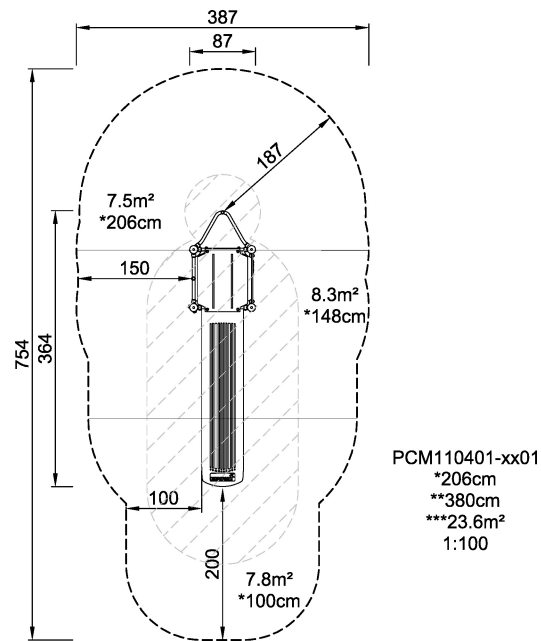


The joy of sliding is great with school age children, and the Play tower with roof offers two variants: a classic slide and a speedy, risky feeling fireman's pole. Apart from being great fun, sliding and gliding down from the platform also train the child's motor skills: the sense of space and the focal tracking. Climbing up the stairs again and again for another go at the slide is great for the child's cross-body coordination as well as the arm and leg muscles.

Product Line	Multi play structures
Category	MOMENTS™ School age
Age group	4 - 10
Max. fall height (CM)	206
Total height (CM)	380
Safety Zone	23.6 m ²



**SUR-
FACE**



* = Highest designated play surface.
** = Total height of product.

Weight/heaviest parts	kg.	Installation (Manpower)	Persons
Concrete required	NaN m ³	Installation (Hours)	Hours
Foundation amount/footing	NaN	Excavation	NaN m ³