

PCM110501

Play Tower with Climbing Net, Basic, Plastic Slide

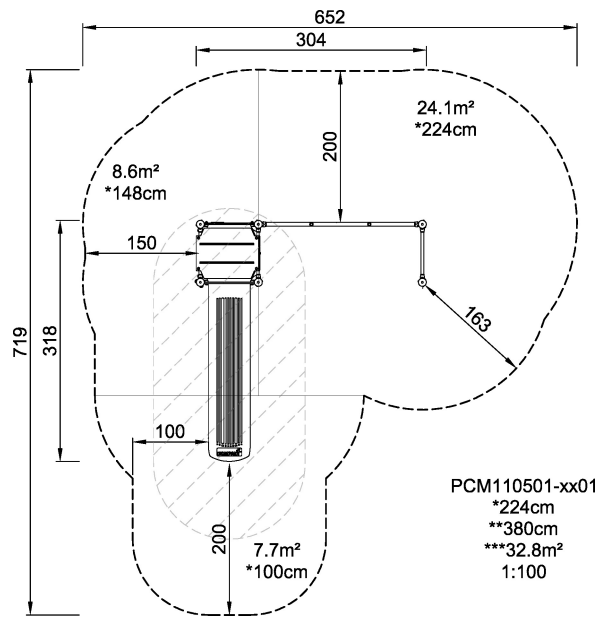


Climbing and sliding are eternally popular with school age children. This dense play unit offers four variations of climbing: a wide masked net for the heavy, big movement climbing - also allowing for a seated break with friends - a climbing wall for the two dimensional, rock-like climbing and not least two sturdy ladders with differently spaced rungs for faster access climbing. Apart from being great fun, climbing and sliding also support fundamental motor skills of the child: the sense of space, the cross-body coordination and the sense of balance.

Product Line	Multi play structures
Category	MOMENTS™ School age
Age group	4 - 10
Max. fall height (CM)	224
Total height (CM)	380
Safety Zone	32.8 m2



SURFACE



* = Highest designated play surface.
** = Total height of product.

Weight/heaviest parts	kg.	Installation (Manpower)	Persons
Concrete required	NaN m ³	Installation (Hours)	Hours
Foundation amount/footing	NaN	Excavation	NaN m ³