

PCM100401

# Play Tower, Basic

**KOMPAN**  
Let's play

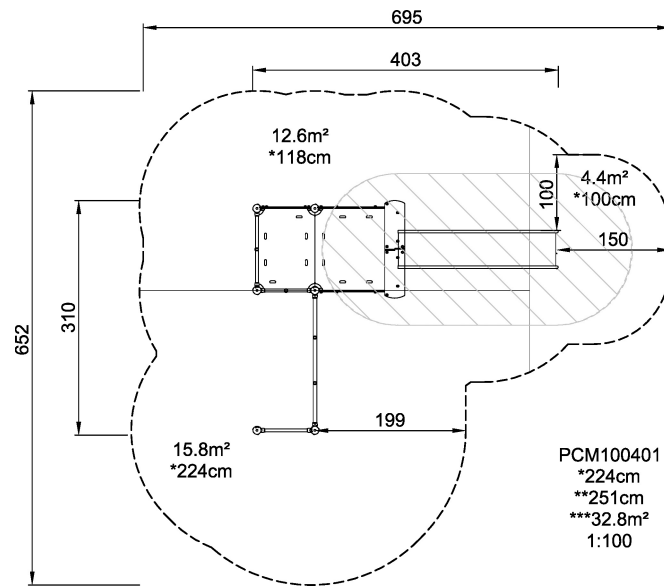


The tall, roomy play house on poles can be accessed by the sturdy steel ladder, using cross-body coordination and muscle power. The exit down is by the slide, offering stomach tickling joy which is worth endless loops up the stairs and down the slide. From the roomy platform, carved windows allows for a look out on the playground, from an elevated position. An alternative way in and out of the house is by the wide-meshed net, which allows for varied climbing. At the net side, a sturdy ladder adds to the climbing variety.

<b>Product Line</b>	Multi play structures
<b>Category</b>	MOMENTS™ Preschool
<b>Age group</b>	2 - 8
<b>Max. fall height (CM)</b>	224
<b>Total height (CM)</b>	251
<b>Safety Zone</b>	32.8 m <sup>2</sup>



**SUR-  
FACE**



\* = Highest designated play surface.  
\*\* = Total height of product.

<b>Weight/heaviest parts</b>	kg.	<b>Installation (Manpower)</b>	Persons
<b>Concrete required</b>	NaN m <sup>3</sup>	<b>Installation (Hours)</b>	Hours
<b>Foundation amount/footing</b>	NaN	<b>Excavation</b>	NaN m <sup>3</sup>