

PCM111101

# Play Tower, Basic, Plastic Slide

**KOMPAN**  
Let's play

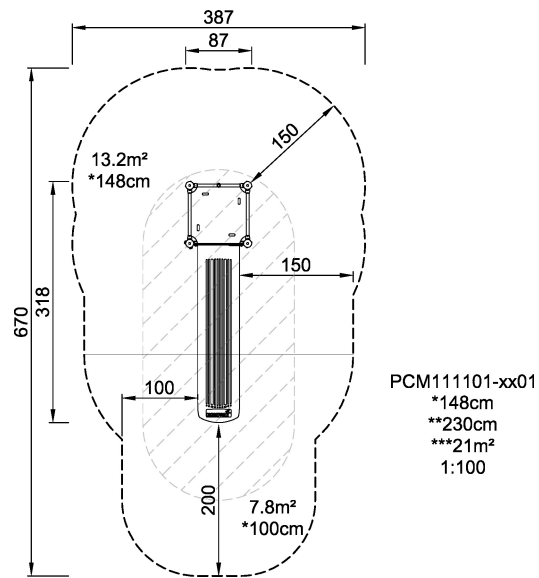


The joy of sliding is great with school age children. They merrily take the trip up the stairs over and over again to repeat the fun. Apart from being great fun, the play activity also trains the child's muscles and motor skills, among others the balance and cross-coordination.

|                              |                       |
|------------------------------|-----------------------|
| <b>Product Line</b>          | Multi play structures |
| <b>Category</b>              | MOMENTS™ School age   |
| <b>Age group</b>             | 4 - 10                |
| <b>Max. fall height (CM)</b> | 148                   |
| <b>Total height (CM)</b>     | 230                   |
| <b>Safety Zone</b>           | 21 m <sup>2</sup>     |



**SUR-  
FACE**



\* = Highest designated play surface.  
\*\* = Total height of product.

|                                  |                    |                                |                    |
|----------------------------------|--------------------|--------------------------------|--------------------|
| <b>Weight/heaviest parts</b>     | kg.                | <b>Installation (Manpower)</b> | Persons            |
| <b>Concrete required</b>         | NaN m <sup>3</sup> | <b>Installation (Hours)</b>    | Hours              |
| <b>Foundation amount/footing</b> | NaN                | <b>Excavation</b>              | NaN m <sup>3</sup> |