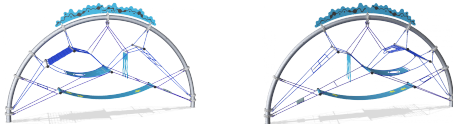
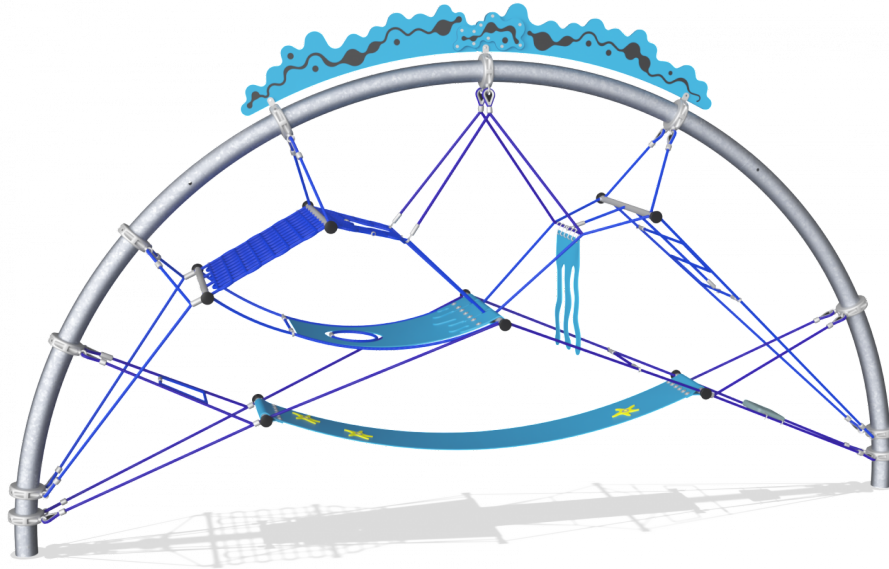


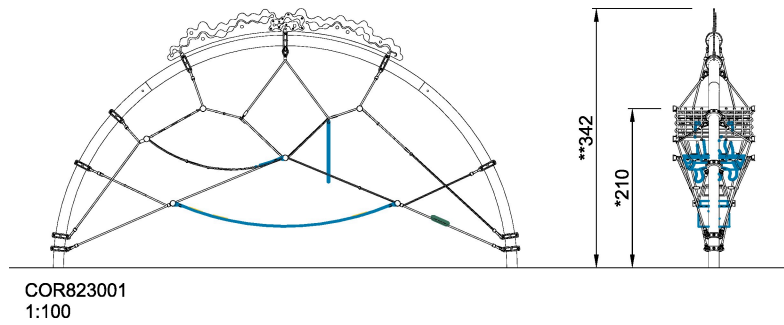
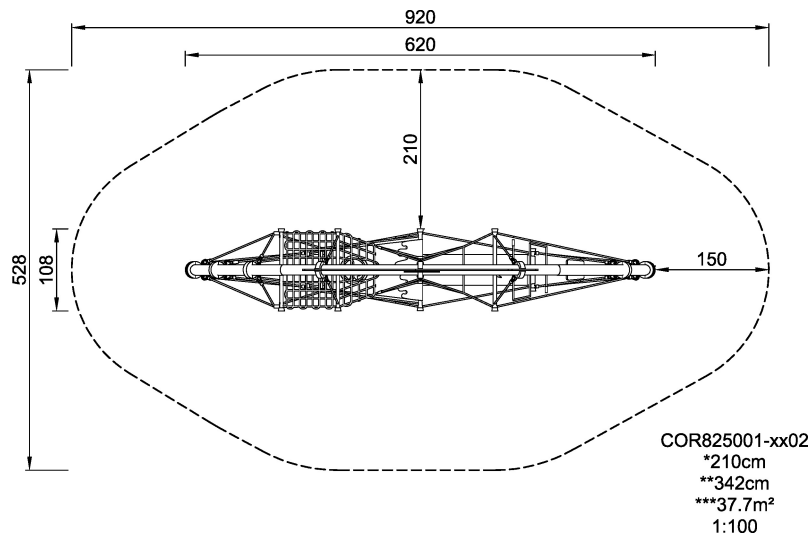
COR82500 Ocean Arch



The Ocean Arch is the perfect alternative to the Ocean Dome when smaller footprint is required.

| | |
|------------------------------|----------------------------|
| Product Line | Traditional Play |
| Category | Climbing structures & nets |
| Age group | 5+ |
| Max. fall height (CM) | 210 |
| Total height (CM) | 342 |
| Safety Zone | 37.7 m ² |





* = Highest designated play surface.
** = Total height of product.

| | | | |
|----------------------------------|--------|--------------------------------|---------|
| Weight/heaviest parts | kg. | Installation (Manpower) | Persons |
| Concrete required | NaN m3 | Installation (Hours) | Hours |
| Foundation amount/footing | NaN | Excavation | NaN m3 |