

ICON1002 NOVA



Enhance strength through power and balance. The various Nova games require speed, agility and defence skills. The Nova challenges balance and muscle power and requires effective coordination. The Nova can be played alone or in teams.

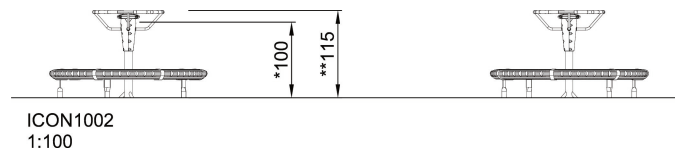
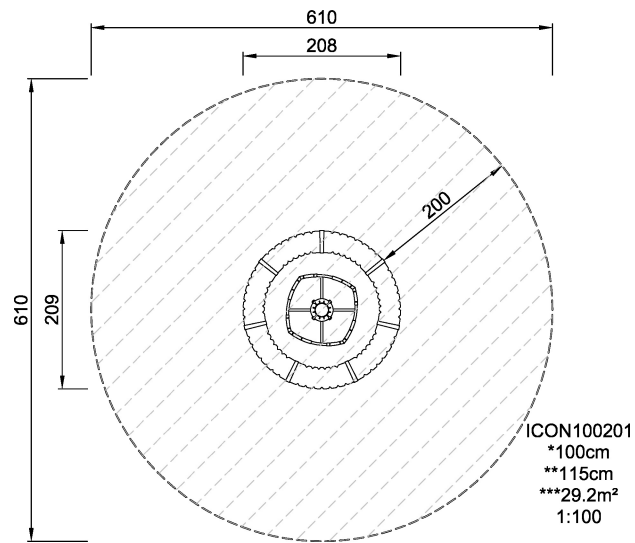
Product Line	Urban climbing
Category	ICON™ Interactive Play (Electronic)
Age group	8 - 15
Max. fall height (CM)	100
Total height (CM)	115
Safety Zone	29.2 m2



**SUR-
FACE**



ASTM



* = Highest designated play surface.
** = Total height of product.

Weight/heaviest parts	kg.	Installation (Manpower)	Persons
Concrete required	NaN m ³	Installation (Hours)	Hours
Foundation amount/footing	NaN	Excavation	NaN m ³