

# FAZ30600

## Jump Pod, 30cm



The Jump Pods are available in three different heights, this version is the medium height Jump Pod. Through combining different heights and arranging them with varying distance to have multiple difficulty levels they are a great addition to any obstacle course. The material with all the pods is carefully chosen to provide a good grip, even when it is wet.

<b>Product Line</b>	Sport & Fitness
<b>Category</b>	Obstacle Courses
<b>Age group</b>	13+
<b>Max. fall height (CM)</b>	30
<b>Total height (CM)</b>	30
<b>Safety Zone</b>	8.5 m2

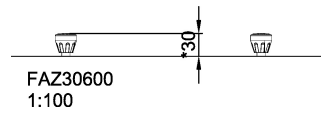
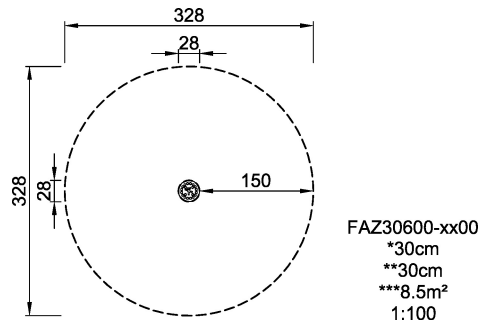


**SUR-  
FACE**

**IN-  
GROU.**



**ASTM**



\* = Highest designated play surface.  
\*\* = Total height of product.

<b>Weight/heaviest parts</b>	kg.	<b>Installation (Manpower)</b>	1 Persons
<b>Concrete required</b>	NaN m <sup>3</sup>	<b>Installation (Hours)</b>	1 Hours
<b>Foundation amount/footing</b>	NaN	<b>Excavation</b>	NaN m <sup>3</sup>