

ELE400006
Hammock



The Hammock offers the opportunity for rocking gently. Children can choose which position they prefer: on their back, belly, or sitting on the ground and leaning against the Hammock. The Hammock is a perfect spot for a moment of relaxation. Even though the Hammock is primarily dimensioned for one user, children often find ways to use it together. One will rock the other, or they will sit side by side as they sing or talk.

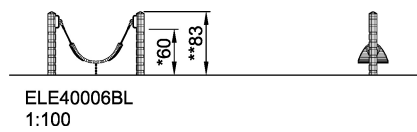
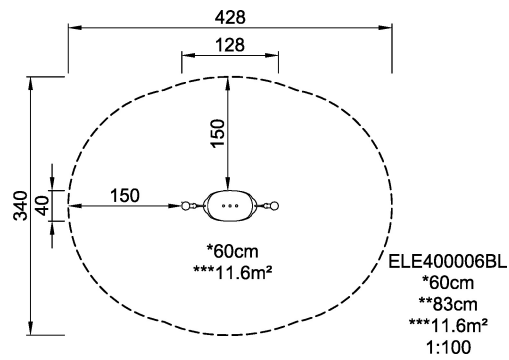
Product Line	Traditional Play
Category	Supernova, carousels & spinners
Age group	2 - 6
Max. fall height (CM)	60
Total height (CM)	83
Safety Zone	11.6 m ²



**SUR-
FACE**



ASTM



* = Highest designated play surface.
** = Total height of product.

Weight/heaviest parts	kg.	Installation (Manpower)	Persons
Concrete required	NaN m ³	Installation (Hours)	Hours
Foundation amount/footing	NaN	Excavation	NaN m ³