



The Gym consist of two sections connected by a net. The first section includes a transfer station that allows the child to move upwards toward the slide and net providing space for a large amount of children to play on. The second section creates a challenge

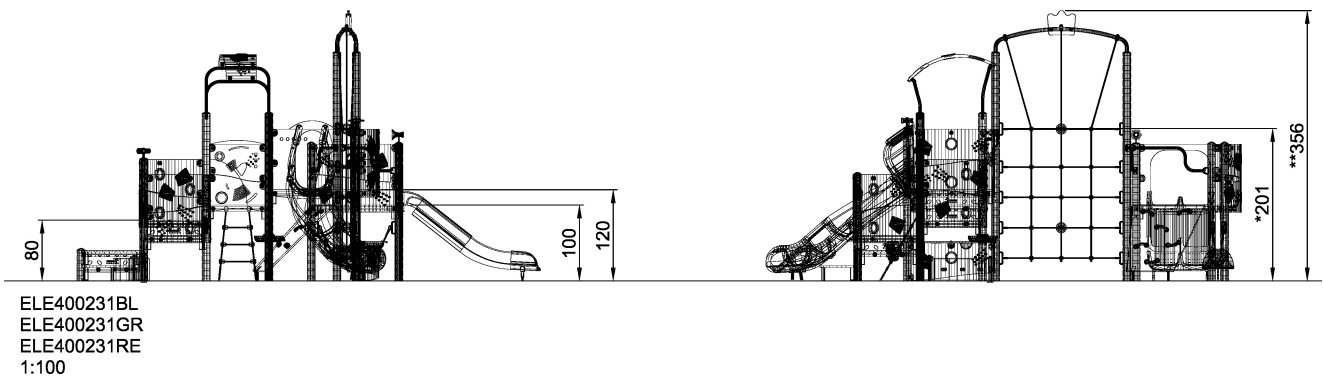
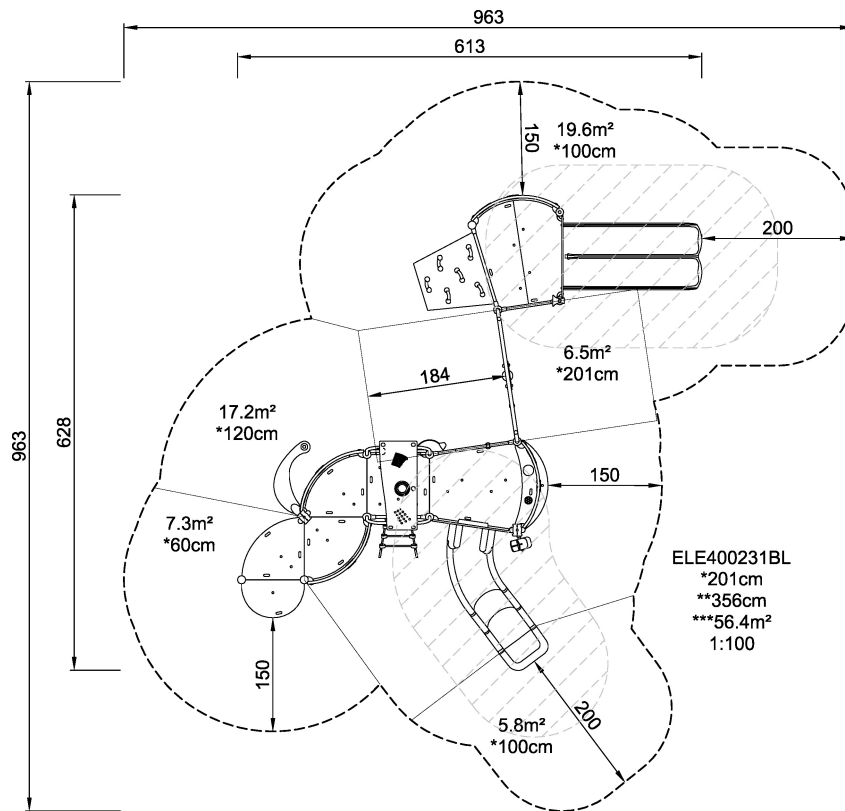
Product Line	Multi play structures
Category	ELEMENTS™
Age group	2 - 6
Max. fall height (CM)	201
Total height (CM)	356
Safety Zone	56.4 m2



**SUR-
FACE**



ASTM



* = Highest designated play surface.
** = Total height of product.

Weight/heaviest parts	kg.	Installation (Manpower)	Persons
Concrete required	NaN m ³	Installation (Hours)	Hours
Foundation amount/footing	NaN	Excavation	NaN m ³