



Fort is a place for movement, climbing, hanging, sliding and balancing. The centre court is sheltered and encourages ground level activities. The climbing nets offer even the youngest children a chance to enter the net and try out their climbing skills. The structure also offers an overhead ladder with additional horizontal ropes, a play shell and a slide. The child can choose to access the highest platform from the nets or via the play shells. With binoculars and a megaphone the children can contact one another or take a closer look at their surroundings.

<b>Product Line</b>	Multi play structures
<b>Category</b>	ELEMENTS™
<b>Age group</b>	2 - 6
<b>Max. fall height (CM)</b>	168
<b>Total height (CM)</b>	296
<b>Safety Zone</b>	60.3 m2



SOCIALIZE



BALANCE



CLIMB



SLIDE



CONSTRUCT



DRAMATIC PLAY

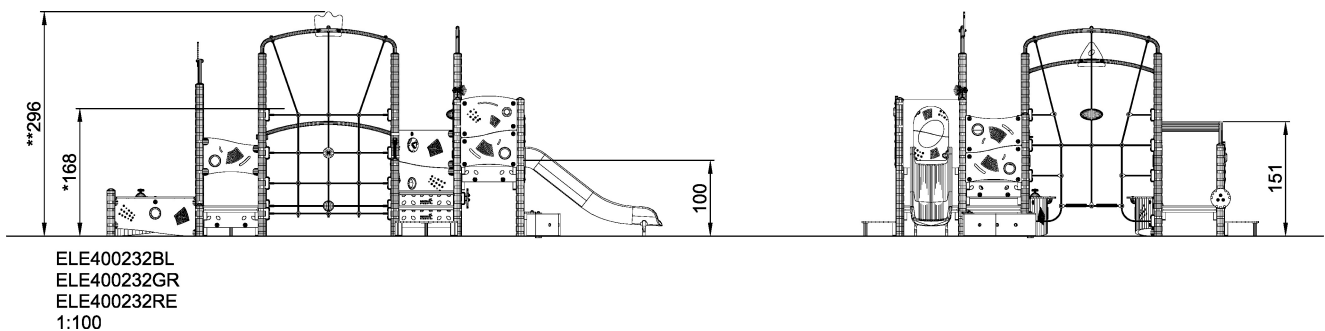
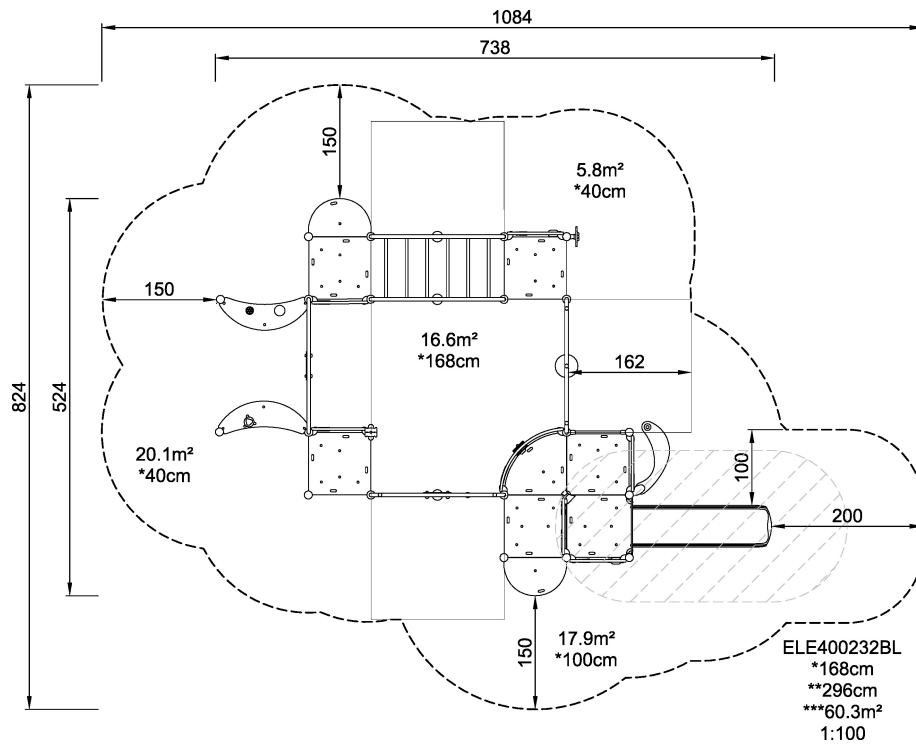


INCLUSIVE

SUR-  
FACE

ADA / INCLUSIVE

ASTM



\* = Highest designated play surface.

\*\* = Total height of product.

<b>Weight/heaviest parts</b>	kg.	<b>Installation (Manpower)</b>	Persons
<b>Concrete required</b>	NaN m <sup>3</sup>	<b>Installation (Hours)</b>	Hours
<b>Foundation amount/footing</b>	NaN	<b>Excavation</b>	NaN m <sup>3</sup>