

ELE400049

Double Slide Tower

KOMPAN
Let's play



A compact play structure with lots to offer. There are two ways up: the sloping rock climb with its colourful cleats or the sturdy steel ladder. A play switcher is added to complete the play possibilities in the panels. The double slide allows two children to race down together - or a parent to slide too!

Product Line	Multi play structures
Category	ELEMENTS™
Age group	2 - 6
Max. fall height (CM)	100
Total height (CM)	183
Safety Zone	25.5 m ²



SOCIALIZE



CLIMB



SLIDE



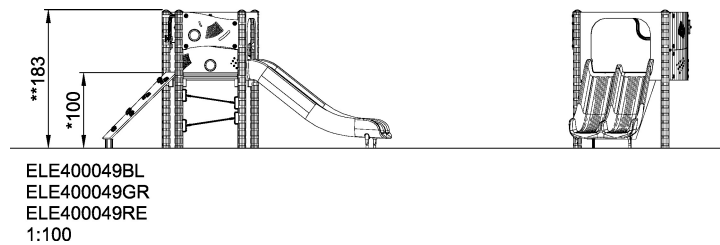
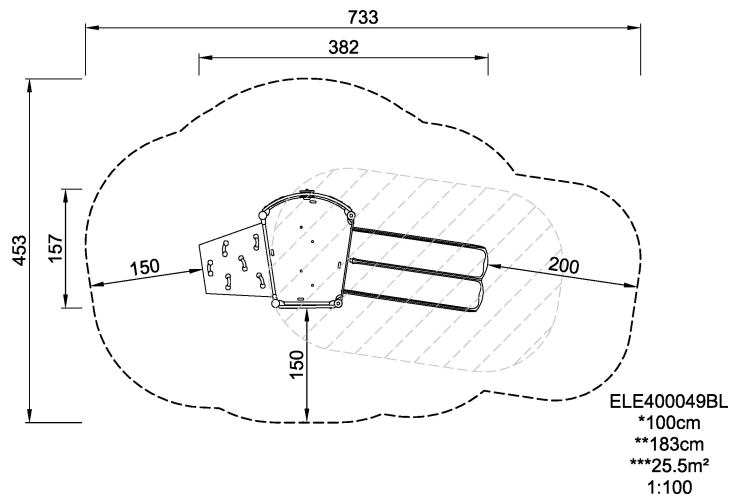
CONSTRUCT



DRAMATIC PLAY



**SUR-
FACE**



* = Highest designated play surface.
** = Total height of product.

Weight/heaviest parts	kg.	Installation (Manpower)	Persons
Concrete required	NaN m ³	Installation (Hours)	Hours
Foundation amount/footing	NaN	Excavation	NaN m ³