

# M529 Coupling



The Coupling “connects” the Steam Engine with the Railway Carriage, and/or simply functions as a place to sit.

**Product Line** Themed Play

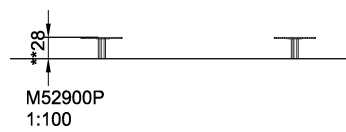
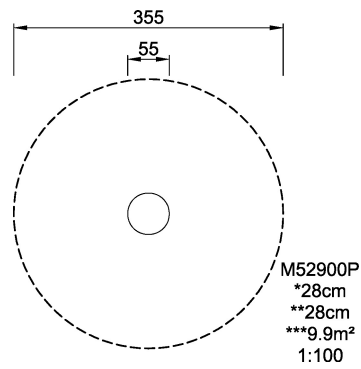
**Category** Vehicles & ships

**Age group** 2 - 6



**SUR-  
FACE**

**ASTM**



\* = Highest designated play surface.  
\*\* = Total height of product.

<b>Weight/heaviest parts</b>	kg.	<b>Installation (Manpower)</b>	Persons
<b>Concrete required</b>	NaN m3	<b>Installation (Hours)</b>	Hours
<b>Foundation amount/footing</b>	NaN	<b>Excavation</b>	NaN m3