

NRO878

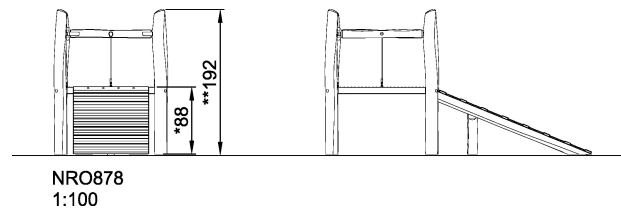
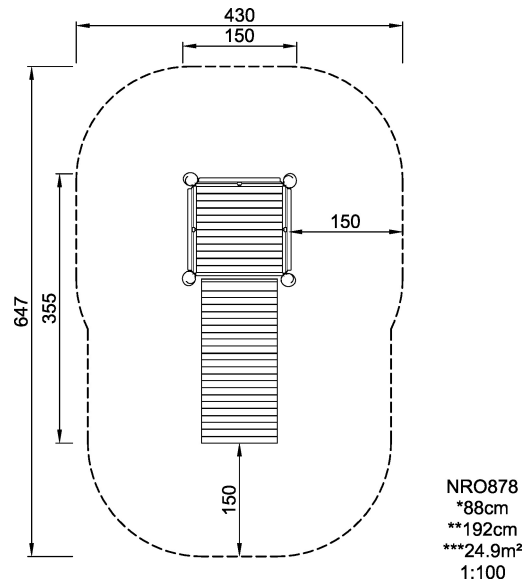
# Cableway Start Platform Robinia



Large elevated square start platform with capacity for many waiting users. The long run-up ramp ensures easy access up to the start area when returning the seat to the next user. The platform is designed to be used for cableways installed on flat surroundings. For double cableways two start platforms can be placed next to each other.

<b>Product Line</b>	Organic Robinia
<b>Category</b>	Traditional play, Sand and water play
<b>Age group</b>	4 - 12
<b>Max. fall height (CM)</b>	88
<b>Total height (CM)</b>	192
<b>Safety Zone</b>	24.9 m <sup>2</sup>





\* = Highest designated play surface.  
\*\* = Total height of product.

<b>Weight/heaviest parts</b>	kg.	<b>Installation (Manpower)</b>	Persons
<b>Concrete required</b>	NaN m <sup>3</sup>	<b>Installation (Hours)</b>	Hours
<b>Foundation amount/footing</b>	NaN	<b>Excavation</b>	NaN m <sup>3</sup>