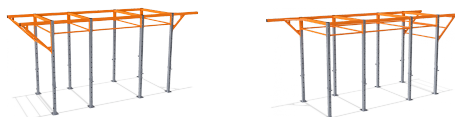


FST930

Bootcamp Base



The Bootcamp Base gives trainers every opportunity they need to do their training. It is a multipurpose gym where you can easily train with groups of more than 10 people. The Bootcamp Base allows users to stow barbells at various heights and to attach boxing bags and many other training equipment (suspension trainers, climbing ropes, battle ropes, elasticated attachments etc.).

Product Line	Outdoor Fitness
Category	Bootcamp Training
Age group	13+
Max. fall height (CM)	150
Total height (CM)	262
Safety Zone	38.4 m ²

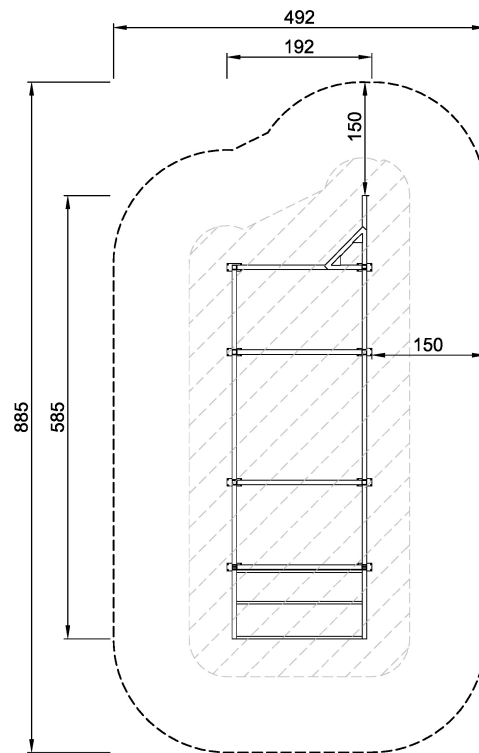


**SUR-
FACE**

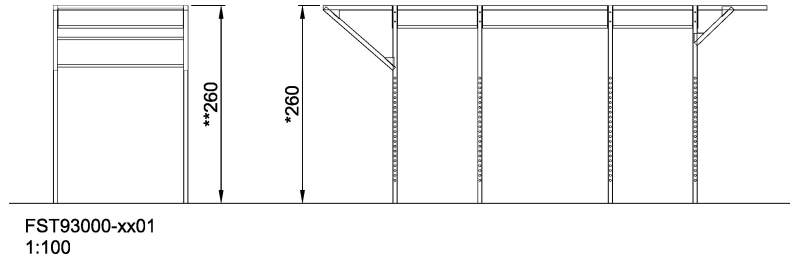
**IN-
GROU.**



ASTM



FST93000
*150cm
**260cm
***39.6m²
1:100



* = Highest designated play surface.
** = Total height of product.

Weight/heaviest parts	kg.	Installation (Manpower)	1 Persons
Concrete required	NaN m ³	Installation (Hours)	4 Hours
Foundation amount/footing	NaN	Excavation	NaN m ³