

NAT520 Amazon



The Amazon is a challenging climbing structure with a high tube slide and an imaginative explorer theme and a meeting place under deck. The structure supports the child's agility, balance and coordination.

Product Line	Traditional Play
Category	Climbing structures & nets
Age group	4 - 12
Max. fall height (CM)	287
Total height (CM)	545
Safety Zone	47.6 m2



SOCIALIZE



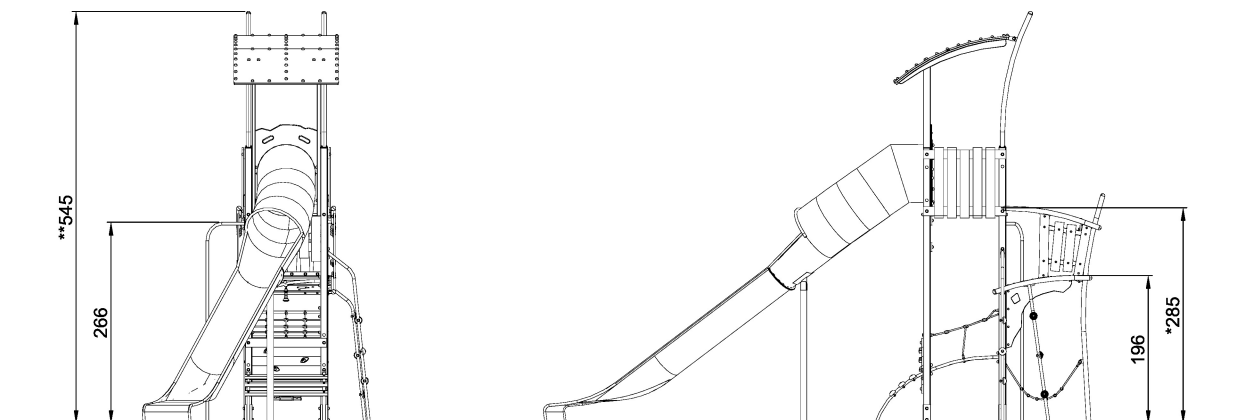
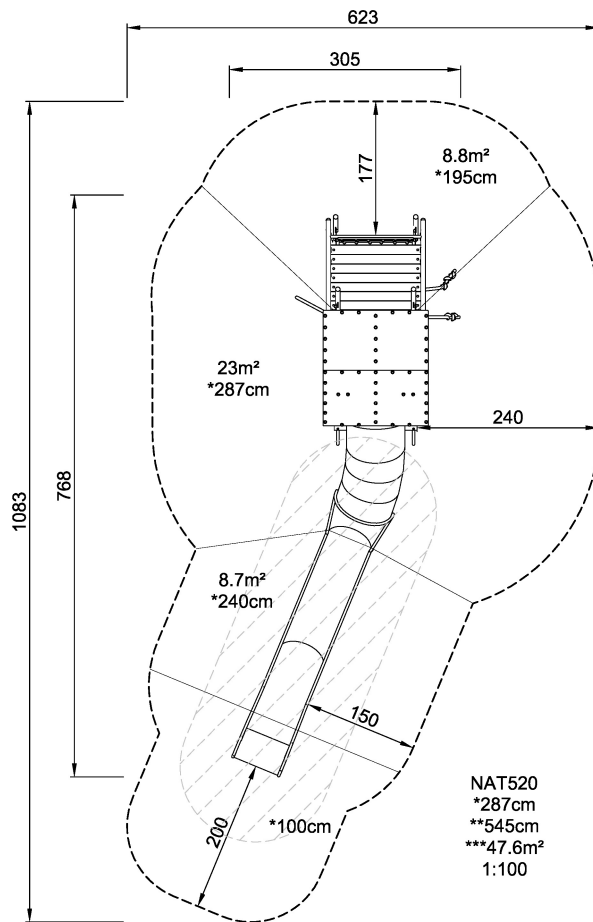
CLIMB



SLIDE



**SUR-
FACE**



NAT520
1:100

* = Highest designated play surface.
** = Total height of product.

Weight/heaviest parts	kg.	Installation (Manpower)	Persons
Concrete required	NaN m3	Installation (Hours)	Hours
Foundation amount/footing	NaN	Excavation	NaN m3