



DID YOU KNOW THAT ...

perforated gypsum boards use
sound resonance or counter-sound
to enhance sound absorption?



CORRIDOR F30

DEMOUNTABLE SELF-SUPPORTING CEILING

Acoustic ceiling solution for fire escape routes. High fire resistance – meeting tough requirements in DIN 4102. Fire resistant from both sides. Tested with installations built in. Distinct unified look with fine lines between the planks.

Corridor 400
Corridor Swing
Corridor F30
Corridor Planks



CORRIDOR F30

DEMOUNTABLE SELF-SUPPORTING CEILING

SIZES

300 x length x 100 mm
Max. length: 2800 mm

SURFACE

Foil-covered with pre-impregnated white paper
NCS S0300-N (RAL 9016, gloss 10)

Tested for chemical resistance
in accordance with DIN 68 861,
FIRA BS 3962 and NEMA LD-3-1991

DANISH INDOOR CLIMATE LABELLING (DIM)

Indoor value: 10 days
Particle emission: low (< 0.75 mg)

CLEANING

Dust is removed using a dry duster or vacuum cleaner. Marks can be removed with a damp cloth using normal cleaning practices and neutral cleaning solutions.

AMBIENT CONDITIONS

The product is designed to perform under normal conditions of use. Tested at 90% RH and 30°C. The product can withstand ambient temperatures of up to 50°C.

LIGHT REFLECTION

Globe: 74.1%
Quadril: 76.2%
Micro: 73.5%
Regula: 86.3%

LOAD-BEARING CAPACITY

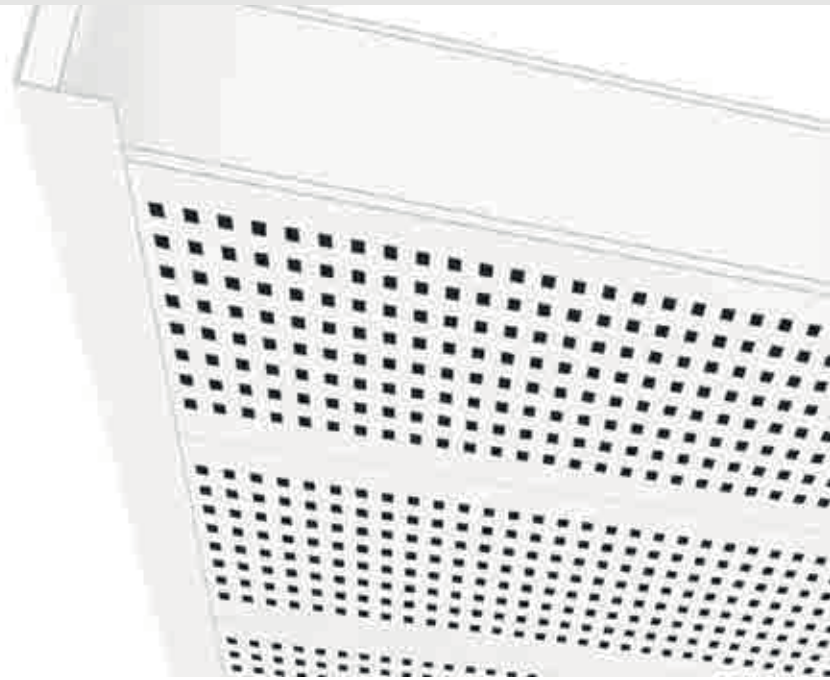
1 / B / 170 N

FIRE CLASS

DIN 4102-2
Fire resistance class F30

ROBUSTNESS

Durable and dirt resistant surface. Product made of robust, glass fibre reinforced material with excellent pressure resistance. Under normal conditions of use, the product properties are preserved and there is no decomposition of material over time.



ACOUSTICS



- Globe, 62 mm suspension, no mineral wool αw: 0.55, NRC: 0.60
- Quadril, 62 mm suspension, no mineral wool αw: 0.55, NRC: 0.55
- Micro, 62 mm suspension, no mineral wool αw: 0.60, NRC: 0.60
- Regula, 62 mm suspension, no mineral wool αw: 0.10, NRC: 0.05

For acoustic data on alternative constructions please see "Absorption Data" at knaufdanoline.com

Max. load:

The maximum load on adjacent walls/friezes is 54.0 kg/lm. This includes the weight of the F30 elements, wall angles and fireboard strips but is excluding technical installations in the ceiling.

Perforation	Tile weight*	Transportation weight*	Installed weight*
Globe	29.7	30.7	37.8
Quadril	29.7	30.7	37.8
Micro	29.7	30.7	37.8
Regula	30.5	31.5	38.6

* (kg/m²)

CERTIFICATES

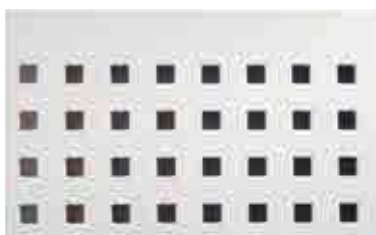
- DIN 4102-2 Fire Classification
- Declaration of Conformity (EN 14190)
- Danish Indoor Climate Labelling

PERFORATION

Also available as Regula.



Globe, Ø6 mm
15 mm c/c
Perforation: 10%



Quadril, 12 x 12 mm
30 mm c/c
Perforation: 12.8%



Micro, 3 x 3 mm
8.3 mm c/c
Perforation: 10%

EDGES

**Edge D**

Edge D (REBATED AND
GROOVED EDGE)

Self-supporting with visible
trim at the short ends

INSTALLATION GUIDE

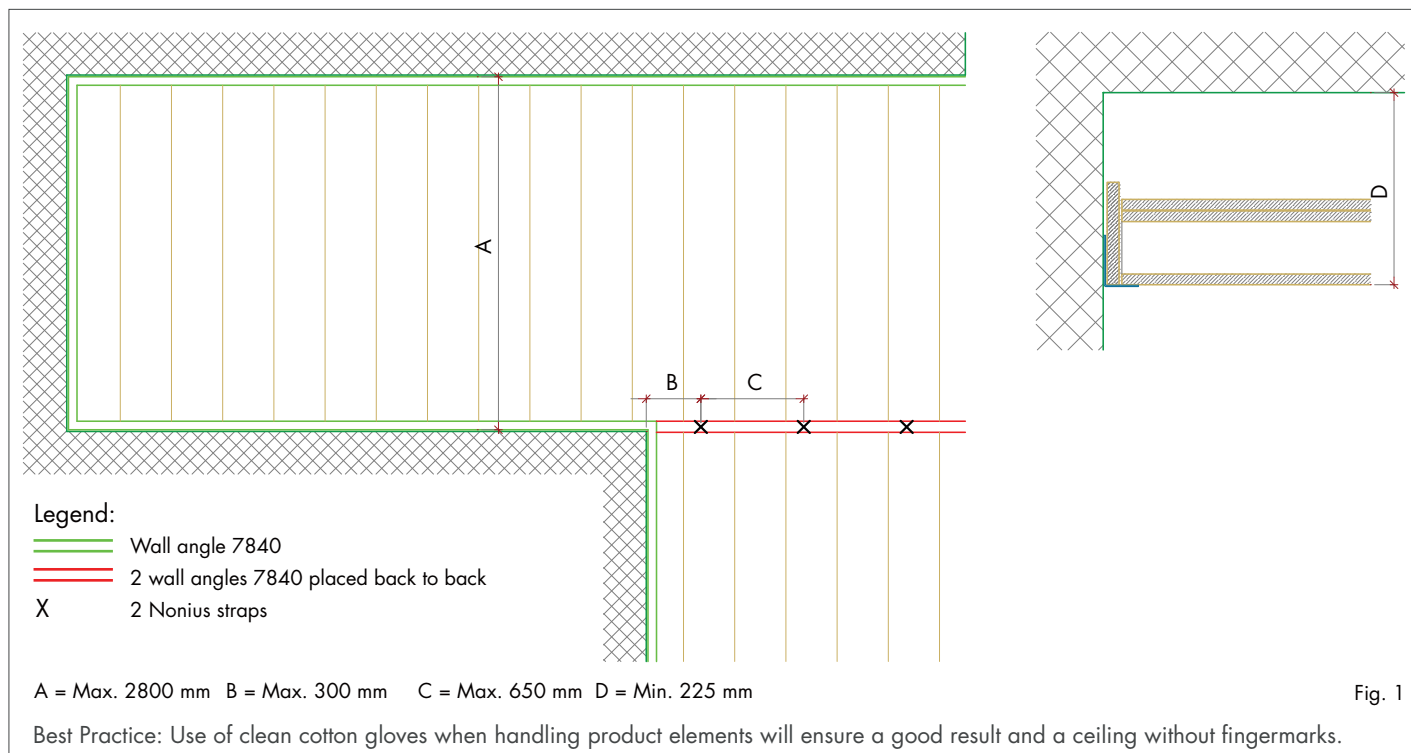
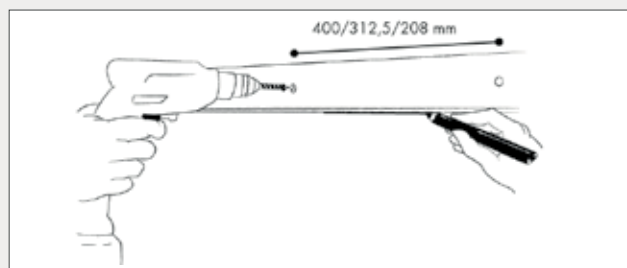
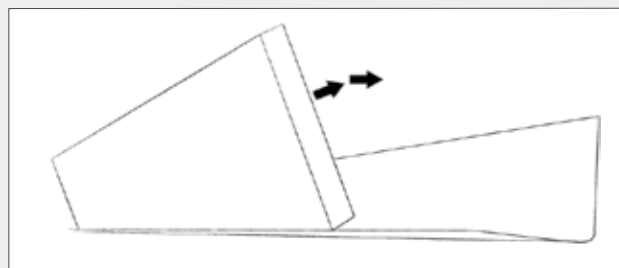


Fig. 1



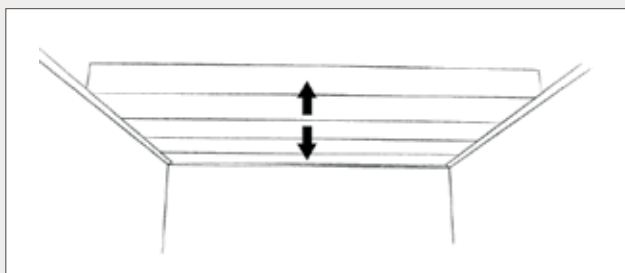
WALL ANGLES

- Mark the location of the wall angles on the walls and columns in relation to the required ceiling height.
- Install the wall angles at max. 400 mm c/c on solid walls, 312.5 mm on plasterboard walls and 208 mm in connection with fixed friezes.
- Choose the fixings in accordance with the wall type/substrate.
- Both inside and outside corners must be mitred.
- Recessed 12.5 x 105 mm gypsum strips can be installed behind the wall angles if a shadow effect is required. See detailed drawing on next page spread.



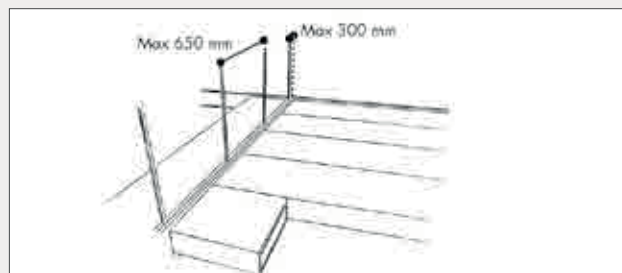
LINING

- Line the wall angles with 15 mm fireboard strips 120 mm in height.
- Install an additional fireboard strip 60 mm in height in connection with adjusted end elements. See detailed drawing on next page spread.
- Secure the strips with screws.



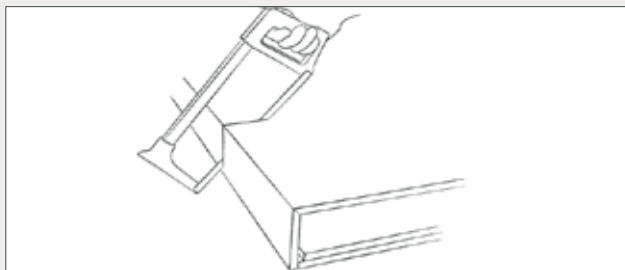
CEILING LAYOUT

- Divide the ceiling surface from the centre of the room or in accordance with the existing ceiling plans.



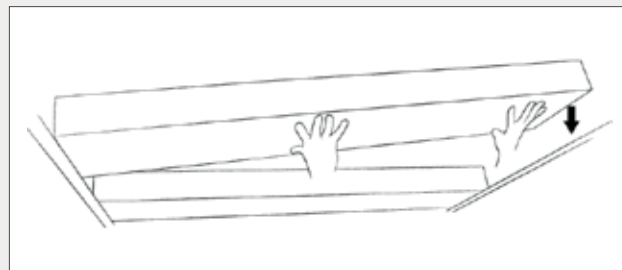
CHANGE OF DIRECTION / NICHES / LARGE ROOMS

- Use two wall angles screwed back to back and supported by hangers (install 15 x 105 mm fireboard strips between the profiles if a shadow effect is required).
- Install the first hanger max. 300 mm from the wall. Other hangers should be installed at max. 650 mm c/c.
- Use Nonius hangers or brackets combined with 10 mm diameter threaded rod.



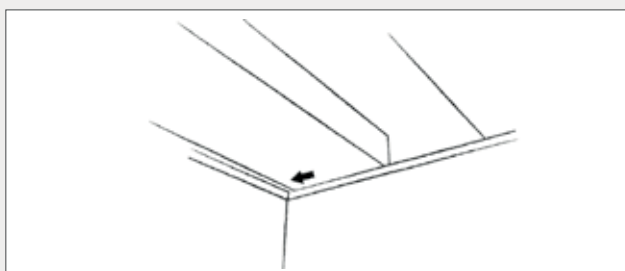
CUTTING

- Adjust the length of the elements using a hacksaw or a jigsaw with a blade for metal.
- Adjust the width of the elements with a hand saw.
- Elements must be adjusted so that at least 20 mm lays on the wall angles. Clearance in relation to the fireboard strip attached must not exceed 3 mm.



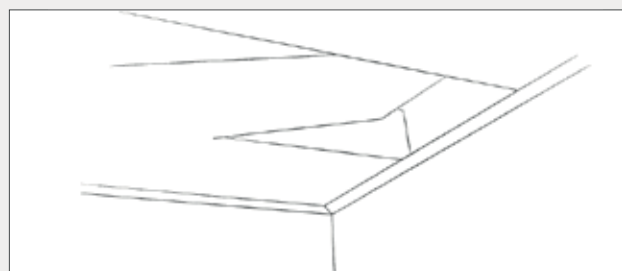
INSTALLATION

- Always wear clean cotton gloves when handling F30 elements.
- Place the elements on the wall angle and push them together.
- Ceiling panels are self-supporting in rooms of up to 2800 mm in width and require no further support.



INSTALLATION – LAST ELEMENT

- Adjust and install the last element and push it in over the wall angle.

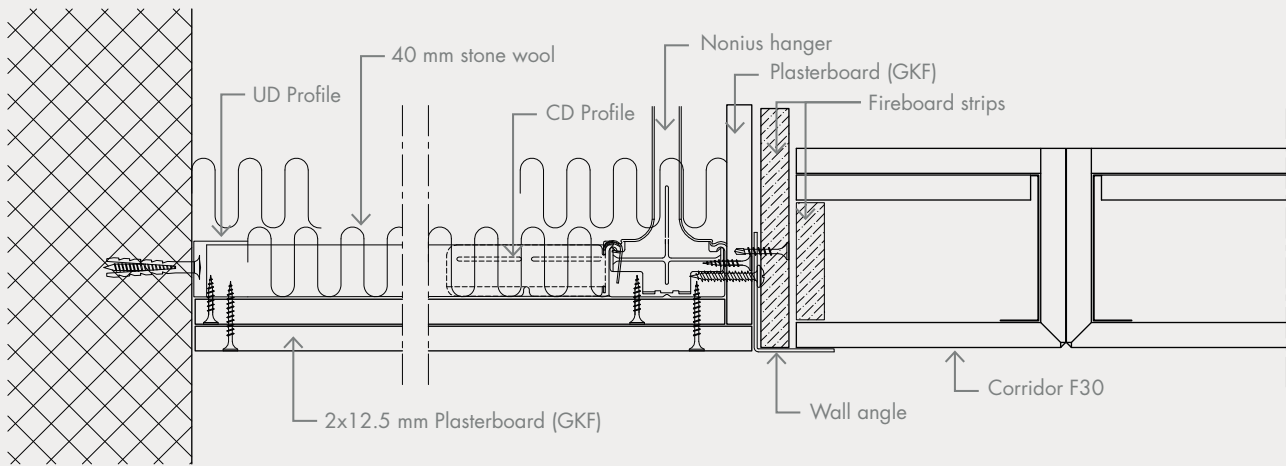


CLOSING THE CEILING

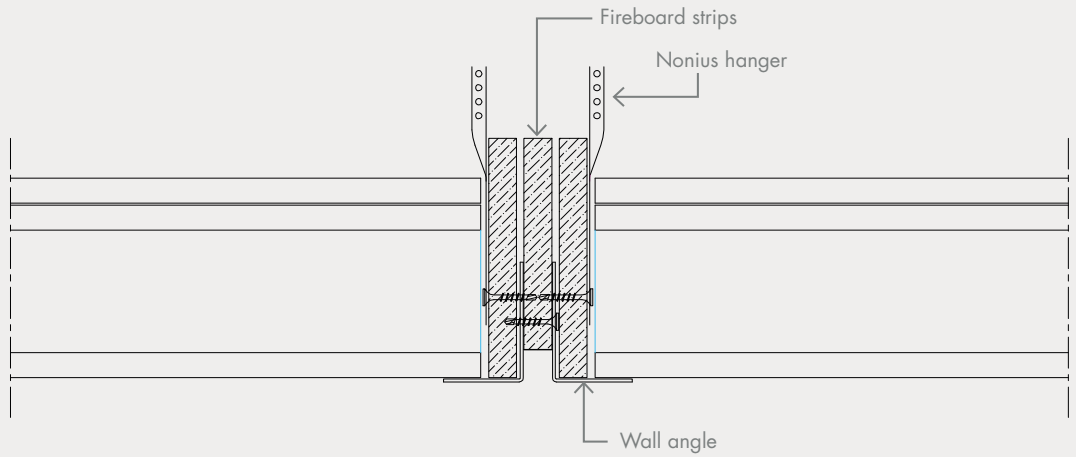
- Close the ceiling with the last whole element.

DETAILS

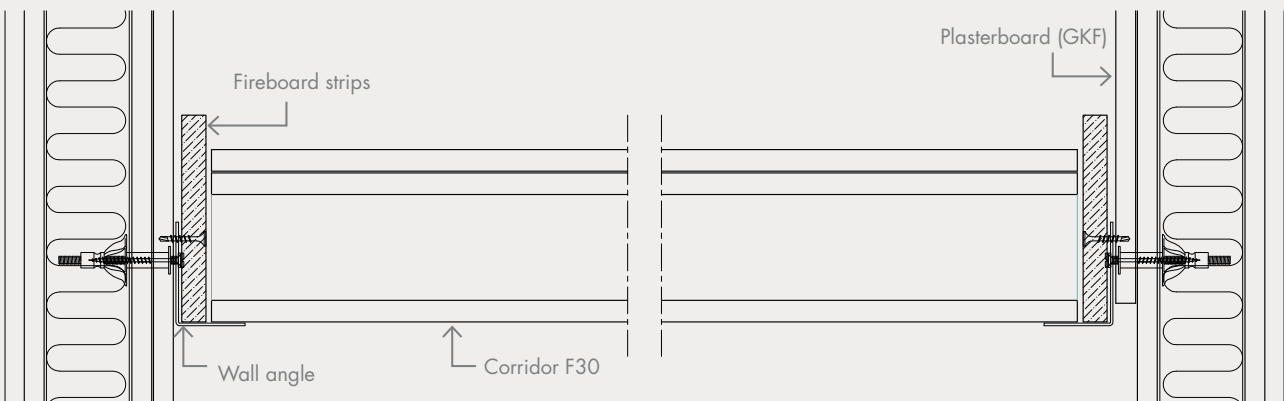
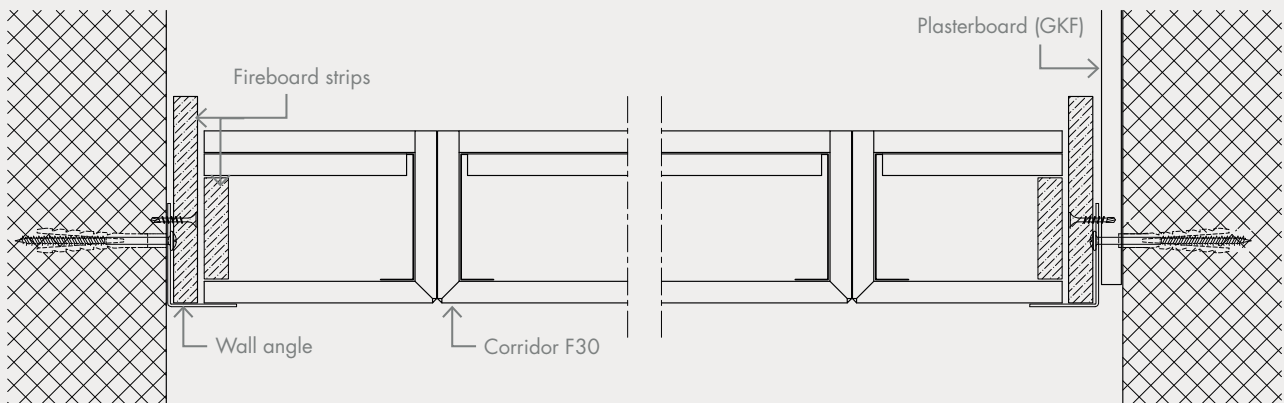
Corridor F30 with fixed frieze




Corridor F30 length extension



Corridor F30 direct to wall



ACCESSORIES

PRODUCT NAME	SAP NO.	W x L x H (mm)
Wall angle 	7840	40 x 2500 x 60

UPKEEP & MAINTENANCE

Best Practice: Use of clean cotton gloves when handling painted and foil-covered product elements will ensure a good result and a ceiling without fingermarks.

PRODUCT CATEGORY	DEMOUNTABLE T-GRID CEILINGS	
Products	Visona, Contur, Belgravia, Linear, Markant, Plaza	Danotile, Medley
Surface	White painted	Foil finish
Upkeep	Designed for use under normal conditions, i.e. up to 70% RH and 25°C, e.g. in offices, institutions and similar premises. Belgravia, Markant, Plaza and Danotile 600x600 have also been tested at 90% RH at 30°C and can be used under more extreme conditions such as kitchens, laboratories and rooms with frequent and major changes in the temperature and air humidity. Special purpose, anticorrosion treated suspension systems should be used in areas of very high humidity.	
Cleaning	Dust is removed using a dry duster or vacuum cleaner. Marks can be removed with a damp cloth using normal cleaning practices and neutral cleaning solutions. Stubborn marks and minor damages should be wiped clean prior to repainting. LINEAR: To ensure good alignment it is important that the tiles are installed in the same orientation. This is also important for maintenance when vacuuming or painting. Always ensure that when applying upward (painting) / downward (vacuuming) pressure, that the tiles are pushed / pulled in the same direction moving away from the grooved edge.	Dust is removed using a dry duster or vacuum cleaner. Marks can be removed with a damp cloth using a mild detergent if necessary. Stronger cleaning agents may be used where necessary to remove stubborn marks or where cleaning regimes require it. The product can also stand rigorous cleaning with concentrated disinfectants and detergents with high and low pH values (13.0 - 2.5).
Repair	Stubborn marks and visible damages and scratches on the surface can be repaired. Damages and scratches can be filled and finished with sandpaper prior to repainting. When painting use Knauf Danoline repair paint or similar (closest RAL colour 9003) and apply by paint roller. Spray painting is not recommended on perforated products, as there is a risk of the spray paint being applied to the acoustic felt backing thereby altering the acoustic properties.	Damages and scratches are difficult to repair and therefore it is recommended to replace damaged tiles with new.
Lamp suspension	<p>DANOTILE: For sizes up to 625x625 and min. thickness 9mm, units of up to 3kg can be installed directly into the panel without reinforcement. For larger module sizes and all sizes in 6mm thickness, a reinforcement panel of sufficient strength can be installed behind the element. The reinforcement panel must extend all the way into the main runners, so that the weight is transferred to them. The total weight should not be greater than 3kg for each m² of ceiling. Where loads are greater than 3kg/m², additional hangers must be used. Units over 3kg, should be installed independently, so that they do not place any load on the ceiling.</p> <p>BELGRAVIA, MARKANT, PLAZA, MEDLEY: For sizes up to 625x625 not in Tangent perforation, units of up to 3kg can be installed directly into the panel without reinforcement. For larger module sizes and all sizes with Tangent perforation a reinforcement panel of sufficient strength can be installed behind the element. The reinforcement panel must extend all the way into the main runners, so that the weight is transferred to them. The total weight should not be greater than 3kg for each m² of ceiling. Where loads are greater than 3kg/m², additional hangers must be used Units over 3kg, should be installed independently, so that they do not place any load on the ceiling.</p> <p>VISONA, CONTUR, LINEAR: With smaller units (of up to 3kg) a reinforcement panel of sufficient strength can be installed behind the element. The reinforcement panel must extend all the way into the main runners, so that the weight is transferred to them. The total weight should not be greater than 3kg for each m² of ceiling. Where loads are greater than 3kg/m², additional hangers must be used Units over 3kg, should be installed independently, so that they do not place any load on the ceiling.</p>	

PRODUCT CATEGORY	SELF-SUPPORTING CEILINGS	
Products	Corridor 400, Corridor Swing	Corridor F30
Surface	White painted	Foil finish
Upkeep	Designed for use under normal conditions, i.e. up to 70% RH and 25°C, e.g. in offices, institutions and similar premises. Corridor 400 and Corridor F30 have also been tested at 90% RH at 30°C and can be used under more extreme conditions such as kitchens, laboratories and rooms with frequent and major changes in the temperature and air humidity.	
Cleaning	Dust is removed using a dry duster or vacuum cleaner. Marks can be removed with a damp cloth using normal cleaning practices and neutral cleaning solutions. Stubborn marks and minor damages should be wiped clean prior to repainting.	Dust is removed using a dry duster or vacuum cleaner. Marks can be removed with a damp cloth using a mild detergent if necessary. On non-perforated tiles stronger cleaning agents may be used where necessary to remove stubborn marks or where cleaning regimes require it.
Repair	More visible damages and scratches on the surface can be repaired using filler and finishing with sandpaper prior to repainting. When painting use Knauf Danoline repair paint or similar (as NCS 0700 or closest RAL colour 9003) and apply by paint roller. Spray painting is not recommended on perforated products, as there is a great risk of the spray paint being applied to the acoustic felt backing thereby altering the acoustic properties.	Damages and scratches are difficult to repair and therefore it is recommended to replace damaged tiles with new.
Lamp suspension	<p>CORRIDOR 400: Units weighing up to 3kg can be installed directly into the panel without reinforcement. N.B. The maximum cut-out, when installing in the centre of the panel is Ø265mm / 265x265mm. Units over 3kg, should be supported independently, so that they do not place any load on the ceiling.</p> <p>CORRIDOR SWING: The ceiling tile may not bear additional weight from other installations.</p>	Objects up to a maximum of 17kg can be suspended using appropriate fixings.

UPKEEP & MAINTENANCE

Best Practice: Use of clean cotton gloves when handling painted and foil-covered product elements will ensure a good result and a ceiling without fingermarks. Handling the untreated panels with care will avoid damage and surface contamination prior to painting and thereby ensure a good end result.

PRODUCT CATEGORY	NON-DEMOUNTABLE CEILING AND WALL LININGS			
Products	Danopanel	Designpanel, Tectopanel, Solopanel, Stratopanel	Contrapanel, Adit	Kinopanel, Amfipanel
Surface	White painted	Untreated	Foil finish	Black painted
Upkeep	<p>Designed for use under normal conditions, i.e. up to 70% RH and 25°C, e.g. in offices, institutions and similar premises.</p> <p>DESIGNPANEL, TECTOPANEL: The panels have also been tested at 90% RH at 30°C and can be used under more extreme conditions such as kitchens, laboratories and rooms with frequent and major changes in the temperature and air humidity. In areas of high humidity consideration should be given to anticorrosion suspension systems and durable/washable surface finishes.</p>		<p>CONTRAPANEL: Designed for use in sports halls and similar areas where conditions do not normally exceed 70% RH and 25°C.</p> <p>ADIT: The panels are custom made and designed for use under normal conditions, i.e. 70% and 25°C, e.g. in offices, institutions and similar premises unless otherwise advised.</p> <p>Adit and Contrapanel have also been tested at 90% RH at 30°C and can be used under more extreme conditions with frequent and major changes in temperature and air humidity.</p>	<p>Designed for use in cinemas, theatres, studios and similar premises under normal conditions, i.e. up to 70% RH and 25°C.</p>
Cleaning	<p>Dust is removed using a dry duster or vacuum cleaner. Removal of marks depends on the paint used on site, although a damp cloth using normal cleaning practices and neutral cleaning solutions is normally suitable for minor marks. In the case of stubborn marks or if in doubt refer to the paint manufacturer's recommendations.</p> <p>CONTRAPANEL: Dust is removed using a dry duster or vacuum cleaner. Marks can be removed with a damp cloth using normal cleaning practices and neutral cleaning solutions. On non-perforated tiles stronger cleaning agents may be used where necessary to remove stubborn marks or where cleaning regimes require it.</p>			
Repair	<p>More visible damages and scratches on the surface can be repaired using filler and finishing with sandpaper prior to repainting. When painting use Knauf Danoline repair paint or similar (closest RAL colour 9003) and apply by paint roller. Spray painting is not recommended on perforated products, as there is a risk of the spray paint being applied to the acoustic felt backing thereby altering the acoustic properties.</p>	<p>Use a paint roller to apply paint. Use the same paint as the original surface finish chosen. Spray painting is not recommended on perforated products, as there is a great risk of the spray paint being applied to the acoustic felt backing thereby altering the acoustic properties.</p>	<p>Damages and scratches are difficult to repair and therefore it is recommended to replace damaged panels with new.</p>	<p>When painting use Knauf Danoline repair paint or similar (as NCS S9000-N) and apply by paint roller. Spray painting is not recommended on perforated products, as there is a risk of the spray paint being applied to the acoustic felt backing thereby altering the acoustic properties.</p>
Lamp suspension	<p>The tile may not bear additional weight from other installations. Light objects up to a maximum of 3 kg/m² may be installed where they can be suspended from the furring system which must be able to bear the full weight.</p>	<p>Light objects up to a maximum of 3 kg can be suspended using appropriate fixings. Items over 3 kg must be suspended from the furring system which must be able to bear the full weight.</p>	<p>CONTRAPANEL: Light objects up to a maximum of 3 kg can be suspended using appropriate fixings. Items over 3 kg must be suspended from the furring system which must be able to bear the full weight.</p> <p>ADIT: The panel may not bear additional weight from other installations.</p>	<p>The panel may not bear additional weight from other installations.</p>

PRODUCT CATEGORY	DESIGN ELEMENTS	
Products	Curvex	Mitex
Surface	Untreated	Untreated
Upkeep	<p>Designed for creating organic wall and ceiling shapes e.g. in offices, institutions and similar premises under normal conditions, i.e. up to 70% RH and 25°C.</p>	<p>Designed for creating clean-cut edges wall and ceiling shapes e.g. in offices, institutions and similar premises under normal conditions, i.e. up to 70% RH and 25°C.</p>
Cleaning	Dependent on the chosen surface finish.	
Repair	Dependent on the chosen surface finish.	
Lamp suspension	The panels are custom made and may not bear additional weight from other installations unless otherwise advised.	