



**Experts in
Mental Health**



ANTI LIGATURE HARDWARE & FITTINGS

EXPERTS IN MENTAL HEALTH

Creating harmony in challenging healthcare environments

The Kingsway Group are specialist doorset and hardware manufacturers for the challenging mental health sector.

Our wide range of specialists products have been designed with the help of healthcare professionals to ensure they are fit for purpose yet help to create a healing environment.



ANTI LIGATURE DOOR FITTINGS

PAGE 10 - 49

Anti ligature hardware and fittings for safer patient environments. Everything from handles to coat hooks.



SERVICE HATCHES

PAGE 51 - 56

Service hatches for the safe transportation of items through walls and doors.



VISION PANELS

PAGE 57 - 74

Specialist vision panels to provide a secure means of observation and a safe means of privacy.



WASHROOMS

PAGE 76 - 83

Secure washroom products covering safe dispensers and grab rails



VISILUX VISION PANEL

PAGE 62, 63

Provides a safe means of vision for both staff and patients and secured with a moulded matching timber bead

SWING STOP ANTI- BARRICADE DEVICE

PAGE 34, 35

Swing Stop anti barricade device allows the doors to be opened outwards in an emergency

AUTO LOCKING LOCKSET

PAGE 12, 13

Automatically locks when shuts and can be overridden using a staff key or override key.

FEATURED PROJECT GLAXO BUILDING

Complete doorsets fully fitted were specified for the Glaxo Building project where the Swing Hinge and Swing Stop anti barricade system was used together with our auto locking system to improve the patient environment.



TESTING

Our products have been tested in various ways to ensure they are fit for purpose and provide the performance that is required to meet the current standards.

FIRE TESTING

We realise the importance of fire rating which is why we have extensively tested our vision panels and ironmongery to the latest UK and European standards across three testing laboratories. Our testing however does not stop; it is an on going process that ensures our products are compliant with the latest guidelines keeping ahead on new standards and specifications. In addition to this we have also had our products assessed under the Q Mark scheme for compatibility when used in certified doorsets. This ensures a greater level of fire safety compliance and makes our products suitable for projects requiring third party certification.



LIGATURE TESTING

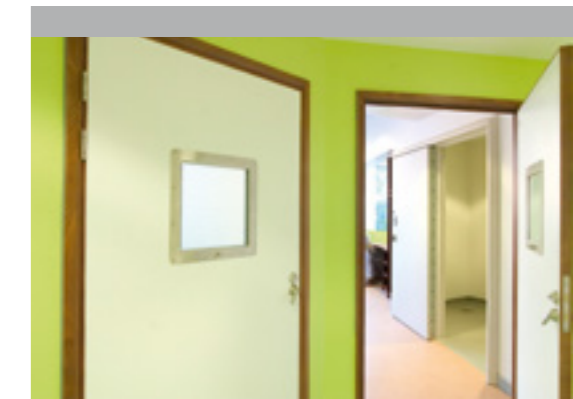
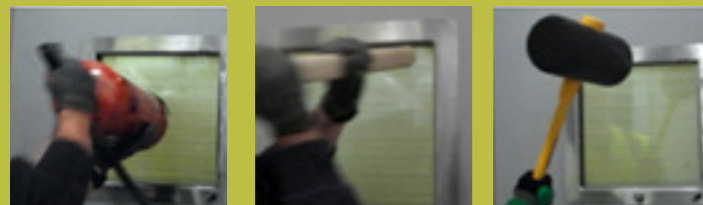
Ligature testing is a very specialist test that is carried out to see how effective products are against ligature attachment. This test involves various ligatures being used started with the most onerous first which is a 0.5mm thick wire. This is used to try and get a point of attachment to form a resistance to it from any angle – up and down, left and right. This test is carried out in a certified testing laboratory to the Door & Hardware Federation standard TS 001:2013 and we are pleased to say that all items tested achieved the highest level of ligature resistance – A4.



PHYSICAL TESTING

Many of our product ranges have undergone attack resistance testing by individual NHS and private hospitals to ensure they can withstand abuse of varying levels. Such testing involves the use of a variety of items from rubber mallets, fire extinguishers to claw hammers and paving mallets. Testing is carried out in accordance with the Department of Health Environmental Design Guides for MSU and LSU criteria to ensure our products are suitable for the environments

For our specialist toughened safety glass we have had this tested to EN356 in a European Test laboratory to assess its performance against manual attack. This strenuous test involves large steel balls being dropped from height in succession on to a fixed glass panel simulating a serious attack with heavy metal objects.



FEATURED PROJECT

WARD 3

Complete doorsets were specified for the Ward 3 project which incorporated the Duralux vision panels, secure lever locksets, and other anti ligature fittings to help create a safer and more healing environment.

SUPPORT

At every step the Kingsway Group can assist you to ensure a guaranteed successful result.

PROJECT SUPPORT

Our professional project support service takes care of every detail. Whether it is discussing product specification or working through door schedules our experienced team are well able to assist you at every level taking your ideas and designs forward through to final delivery. A dedicated manager is appointed for each project to keep the communications clear and simple making it easier for you.

SAMPLE BOARDS

Free of charge sample boards can be arranged to help you in your decision making process. This service greatly helps as the products are seen in a real situation and can be handled by all interested parties.

GUIDANCE

As specialists in mental health design we are familiar with the latest design guidance criteria and can help to assist you with your projects to ensure conformance to the standard. Look out for the design guidance notes throughout the brochure to help you in the specification process

ACCESS PANELS

PAGE 50
Secure access hatches to protect vital services.

ANTI LIGATURE LEVER SETS

PAGE 22, 23
Solid stainless steel levers for maximum durability and ease of use for the elderly.

DURALUX VISION PANELS

PAGE 58, 59
High secure vision panels with attack resistant glass and secured with a stainless steel surround that houses the controls. Tested for extreme use.

FEATURED PROJECT

AQUARIUS WARD

Complete doorsets supplied under our Hunter Doorsets division pre-fitted with anti-ligature components as part of a complete ward refurbishment. Products specified were from our ironmongery and vision panel ranges and also included washroom items such as dispensers and grab rails.

Classic Grip handles installed on all doors forming part of the lockset package.

The Logica Nightlatch was specified for the project to provide an auto locking solution to doors that could be overridden in an emergency by a staff key.

The Duralux secure vision panel was used on the project in two different sizes. These were specified as being the most robust and durable vision panel available featuring attack resistant glazing and controls integral to the stainless steel fascia.

Many different types of doors were used in the project for all areas including staff rooms and riser doors. These were supplied in a range of differing colours with an exposed ash lipping that matched the frame material.

Where specified some doors were supplied with closing devices. These were either the Powermatic side closing device or the Swing Hinge with the concealed transom closer. This system provides the ultimate solution for fire doors in a mental health environment as the closer is completely housed in the frame head and transfers power to the door by a stainless steel strap that is fitted to the head of the door and lines up with the Swing Hinge. In addition to Duralux privacy panels Pyroflux clear glazed panels were used in corridor areas to provide a secure glazing solution that is attack resistant and fire rated.

In washroom areas our grab rails and stainless steel dispensers were installed to provide a robust and effective solution to ligature issues that is both low maintenance and easy to clean.



CLASSIC GRIP HANDLE

PAGE 26

The large Classic grip handle was specified throughout as being the most suitable for the client group.

ANTI BARRICADE BEDROOM DOORS WITH SWING STOPS AND SWING HINGES

PAGE 31 - 35

All bedroom doors were fitted with the Swing Hinge continuous double action hinge and Swing Stop removable door stops. These allow doors to be opened outwards in an emergency simply, safely and quickly.

DURALUX VISION PANELS

PAGE 58, 59

Duralux vision panels were used throughout the project to provide a secure means of patient observation

SPECIALIST DOORSETS

PAGE 08

For the clinical room a split leaf door was supplied allowing staff to open part of the door when dispensing.

AUTO LOCKING LOCKSETS

PAGE 12, 13

Auto locking anti barricade locksets were used on most of the doors to provide extra security and enhanced safety

CONTENTS

SECTION 1 LOCKSETS



| 10 OVERRIDE BEDROOM LOCKSET | 14 COMMUNAL LOCKSET | 20 ENSUITE LOCKSET

- 9 LOCKSETS
- 25 HANDLES
- 31 ANTI BARRICADE
- 37 DOOR CLOSERS
- 41 HINGES & PIVOTS
- 45 ANCILLARY ITEMS
- 51 HATCHES
- 57 VISION PANELS
- 75 WASHROOM PRODUCTS
- 86 INDEX



LOGICA LOCKSET 1:

OVERRIDE BEDROOM LOCKSET

CODE: LGDS01

LOGICA
ANTI LIGATURE SOLUTIONS

- Anti Ligature by design
- Anti Barricade
- High grade components
- Tried and tested
- Simple to install
- FD30 rated
- Suitable for 44 and 54mm doors
- Conforms to BS EN 12209



Service User

“ This lockset allows me access to my bedroom and also gives me the security of being able to lock my door. The pull handles and thumb turn are easy to use and operate.

Staff

“ This lockset allows me to gain access simply by use of a key to operate the deadbolt. As the key cylinder is clutched I have the assurance of knowing that even if the thumb turn is being held from the other side my key will still operate the deadbolt.

THE ULTIMATE SOLUTION FOR ANTI-BARRICADE
BEDROOM DOORS WITH AN OVERRIDE MECHANISM

FACE FIX ESCUTCHEON

62mm diameter solid stainless steel escutcheon to give maximum protection to the cylinder and to reduce ligature risk. Angled bevelled edges help to reduce self harm risk and to give a better overall finish.



ROLLERBOLT LOCKCASE

High grade lockcase allows the door to latch on the adjustable rollerbolt and to be locked by use of the cylinder.



CLUTCHED CYLINDER AND THUMB TURN

This large thumb turn allows easy access for the service user and operates the deadbolt with a single rotation. The size and shape of it have been carefully considered to make it easy for older persons as it can be operated easily without much fingertip pressure. When a key is inserted from the staff side the clutch function disengages the thumb turn allowing the key to operate the lock whilst the thumb turn rotates freely making it impossible to stop a member of staff operating the door in a barricade situation.



HANDLE OPTIONS

A range of pull handles are available (see pages 25 - 30) to suit every application. All products have been tested and assessed to ensure they pass stringent ligature testing.

LOGICA LOCKSET 2:

AUTO LOCKING-OVERRIDE LOCKSET

CODE: LGDS02

LOGICA
ANTI LIGATURE SOLUTIONS

- Anti Ligature by design
- Anti Barricade
- High grade components
- Tried and tested
- Simple to install
- FD30 rated
- Suitable for 44 and 54mm doors
- Auto locking for peace of mind
- Conforms to BS EN 12209

Service User

“ This lockset gives me my own key and provides automatic privacy when I shut the door as it can only be opened by a key holder. When I want to go out I simply turn the thumb turn and it retracts the latch.

Staff

“ This lockset becomes locked when shut and is only accessible to key holders. It allows myself and the service user to gain access using the key in the cylinder. In the event of the keyway being blocked or the cylinder failing the override key can be used in square override plate which also retracts the latch. In the event that the service user is holding the thumb turn or lever handle, the override mechanism will still operate the latch as the spindles are not connected and the lock has a split follower allowing it to be operated independently from either side.



Also available with the large thumb turn pull handle instead of the lever handle.

Split Follower Spindle

The staff override mechanism can always retract the latch even if the lever/thumb turn is being held.

THE HIGH SECURE SOLUTION FOR ANTI-BARRICADE
BEDROOM DOORS OFFERING TWO METHODS OF
OVERRIDE FOR STAFF MEMBERS

FACE FIX ESCUTCHEON

62mm diameter solid stainless steel escutcheon to give maximum protection to the cylinder and to reduce ligature risk. Angled bevelled edges help to reduce self harm risk and to give a better overall finish.



NIGHTLATCH LOCKCASE

The unique design of the Logica nightlatch lockcase allows the cylinder and the 8mm follower to operate the latch independently where the cylinder will always have dominance. This is essential in reducing barricade incidents and provides a simple solution to this issue.



SECURE STAFF KEY

With each doorset an 8mm staff override key is provided for use in the override plate. An additional large override key is available for situations where the thumb turn is being held from the inside.

Also available in the new oval version for higher levels of security. See page 24 for full details.



LOCKING THUMB TURN PULL HANDLE

Locking Thumb Turn Pull/Lever Handle to override key.

Choose from either the large thumb turn pull handle or the single lever handle to operate the latch. Both products bolt through to the override mechanism that is operated by a square or oval override key.



HANDLE OPTIONS

A range of pull handles are available (see pages 25 - 30) to suit every application. All products have been tested and assessed to ensure they pass stringent ligature testing.

LOGICA LOCKSET 3:

COMMUNAL LOCKSET

CODE: LGDS03

LOGICA
ANTI LIGATURE SOLUTIONS

- Anti Ligature by design
- High grade components
- Tried and tested
- Simple to install
- FD30 rated
- Suitable for 44 and 54mm doors
- Conforms to BS EN 12209



Service User

“ This lockset has two pull handles and a latch allowing us to open the door from either side easily and simply.

Staff

“ This is a simple lockset which is ideal for communal doors especially double action doors. It allows doors to latch in place using the adjustable rollerbolt but it also allows me to lock the door from either direction using the cylinder.

THE SIMPLE SOLUTION TO COMMUNAL DOORSETS WHICH ARE NORMALLY LEFT UNLOCKED FOR SERVICE USERS



BOLT FIX ESCUTCHEON

62mm diameter solid stainless steel double escutcheon which is secured with bolts to give maximum protection to the cylinder and to reduce ligature risk.



ROLLERBOLT LOCKCASE

High grade lockcase allows the door to latch on the adjustable rollerbolt and to be locked by use of the cylinder.



HANDLE OPTIONS

A range of pull handles are available (see pages 25 - 30) to suit every application. All products have been tested and assessed to ensure they pass stringent ligature testing.

LOGICA LOCKSET 4:

AUTO LOCKING - COMMUNAL LOCKSET

CODE: LGDS04

LOGICA
ANTI LIGATURE SOLUTIONS

- Anti Ligature by design
- High grade components
- Tried and tested
- Autolocking for peace of mind
- Simple to install
- FD30 rated
- Suitable for 44 and 54mm doors
- Conforms to BS EN 12209



Service User

“ This lockset is generally used on the staff operated doors which automatically lock. The large pull handles make it easy for me to pull the door open as they provide a good grip area.

Staff

“ This lockset provides me with a solution that autolocks and is extremely useful for interconnecting doors between wards. Staff can use the cylinder to operate the latch but when it closes it is securely locked.

THE SECURE SOLUTION TO COMMUNAL DOORSETS WHICH ARE NORMALLY LEFT LOCKED OR USED ONLY BY STAFF MEMBERS



BOLT FIX ESCUTCHEON

62mm diameter solid stainless steel double escutcheon which is secured with bolts to give maximum protection to the cylinder and to reduce ligature risk.



NIGHTLATCH LOCKCASE

High grade lockcase which is operated by cylinder only and is locked when latched in place for extra security



HANDLE OPTIONS

A range of pull handles are available (see pages 25 - 30) to suit every application. All products have been tested and assessed to ensure they pass stringent ligature testing.

LOGICA LOCKSET 5:

OVERRIDE WASHROOM LOCKSET

CODE: LGDS05

LOGICA
ANTI LIGATURE SOLUTIONS

- Anti Ligature by design
- High grade components
- Tried and tested
- Simple to install
- FD30 rated
- Suitable for 44 and 54mm doors
- Conforms to BS EN 12209



Service User

“ This lockset is used in the washrooms and allows me to lock the door using the large thumb turn. The indicator on the outside shows others that the washroom is occupied.

Staff

“ This lockset offers me a safe solution for washrooms as it allows service users to operate the lock from the inside using the anti ligature, large thumb turn yet provides me with a means of over coming a barricade situation by using the square drive key or large override key if more force is required. It also tells me if the washroom is occupied by the indicator on the override plate.

THE ULTIMATE SOLUTION FOR ANTI BARRICADE WASHROOM DOORS OFFERING A COMBINED OVERRIDE FUNCTION AND INDICATOR MECHANISM



ROLLERBOLT LOCKCASE

High grade lockcase allows the door to latch on the adjustable rollerbolt and to be locked by use of the 8mm spindle.



LOCKING THUMB TURN PULL HANDLE

This large thumb turn acts as a pull handle for the service users and operates the deadbolt by simply rotating it. On the other side there is a large override plate with an indicator which has an 8mm recessed drive for overriding the door in a barricade situation. This is operated by either the small staff key or the large override key.



SQUARE STAFF KEY

With each doorset an 8mm staff override key is provided for use in the override plate. An additional large override key is provided for situations where the thumb turn is being held from the inside.

Also available in the new oval version for higher levels of security. See page 24 for full details.



HANDLE OPTIONS

A range of pull handles are available (see pages 25 - 30) to suit every application. All products have been tested and assessed to ensure they pass stringent ligature testing.

LOGICA LOCKSET 6:

EN SUITE LOCKSET

CODE: LGDS06

LOGICA
ANTI LIGATURE SOLUTIONS

- Anti Ligature by design
- High grade components
- Tried and tested
- Simple to install
- FD30 rated
- Suitable for 44 and 54mm doors
- Conforms to BS EN 12209



Service User

“ This lockset simply allows me to lock off the ensuite from the outside in the event of it not being in service. The rollerbolt simply holds the door in the shut position.

Staff

“ This lockset acts to keep the door shut and it has two recessed pull handles which don't get in the way but provide me with a good grip area.

THE SIMPLE SOLUTION FOR EN- SUITE DOORS THAT ALLOWS STAFF TO COMPLETELY LOCK OFF A ROOM WHEN REQUIRED



FACE FIX ESCUTCHEON

62mm diameter solid stainless steel escutcheon to give maximum protection to the cylinder and to reduce ligature risk. Angled bevelled edges help to reduce self harm risk and to give a better overall finish.



ROLLERBOLT LOCKCASE

High grade lockcase allows the door to latch on the adjustable rollerbolt and to be locked by use of the cylinder.



HANDLE OPTIONS

A range of pull handles are available (see pages 25 - 30) to suit every application. All products have been tested and assessed to ensure they pass stringent ligature testing.

LOGICA LOCKSET 7:

BEDROOM LOCKING LEVER SET WITH THUMB TURN LOCK

CODE: LGDS07

- Anti ligature by design
- Suitable for less able users with levers and easy grip thumb turn
- Simple to install
- FD30 rated
- Suitable for 44 and 54mm doors
- Tried and tested
- Conforms to BS EN 12209



Service User

“ This lockset allows me to access my bedroom by using the lever handle which provides a good grip area for less able users. It also allows me to simply lock the door once I am in my room by turning the large thumb turn.

Staff

“ This lockset allows the less able to access their bedrooms and lock the door. If the door is locked I can open it using a key in the thumb turn cylinder. If this is being held from the other side the key will still turn as the cylinder is clutched which disables the thumb turn when the key is inserted.

THE SIMPLE SOLUTION FOR BEDROOM DOORS WHERE THE SERVICE USER IS LESS ABLE AND THE RISK OF LIGATURE ATTACHMENT IS LOWER



FACE FIX ESCUTCHEON

62mm diameter solid stainless steel escutcheon to give maximum protection to the cylinder and to reduce ligature risk. Angled bevelled edges help to reduce self harm risk and to give a better overall finish.



CLUTCHED CYLINDER AND THUMB TURN

This large thumb turn allows easy access for the service user and operates the deadbolt with a single rotation. The size and shape of it have been carefully considered to make it easy for older persons as it can be operated easily without much fingertip pressure. When a key is inserted from the staff side the clutch function disengages the thumb turn allowing the key to operate the lock whilst the thumb turn rotates freely making it impossible to stop a member of staff operating the door in a barricade situation.



ANTI LIGATURE LEVER SET

Solid stainless steel lever set that fixes at 45° to reduce the risk of ligature attachment. This heavy duty lever set has been designed for ease of use for all ages including those with disability or dexterity issues.



SASHLOCK LOCKCASE

Large case sashlock that has a deadbolt and latch function. Heavily sprung latch makes this lock suitable for use with unsprung levers ensuring they provide maximum performance. Extra large deadbolt protrudes 22mm on a single turn of the key to provide maximum security.

LOCKSETS

SECURE OVERRIDE KEY OPTIONS

Choose from either an 8mm square drive or the high secure Oval Drive which is a totally unique design ensuring greater security.



OVAL KEY



SQUARE KEY



Override mechanisms and controls are on many of the Kingsway Group products covering:

DOORSETS

Override mechanisms for anti barricade locksets (pages 8-21)

ANTI BARRICADE DOORSTOPS

These unlock allowing doors to open outwards in a barricade situation (pages 32 and 33)

VISION PANELS

On both the Duralux and Visilux range of controllable observation panels (pages 58-63)

SECURE BOLTS

Provides an additional means to locking staff operational doors (page 45)



SECTION 2

HANDLES

| 26 CLASSIC GRIP

| 28 EASY GRIP

| 30 LG50 & LG90



Design Guidance

“Open ‘D’ door handles should not be used in service user-accessible areas. Handles should be either of a finger grip or ‘Anti-ligature knob’ type.”

Adult Acute Mental Health Units
Planning and design manual- 2012

HANDLES

CLASSIC GRIP HANDLES

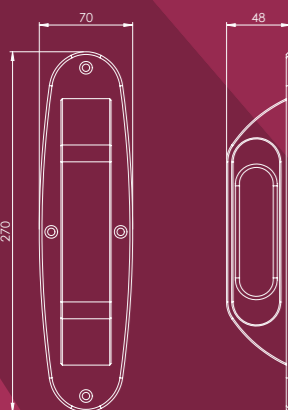
The Classic Grip pull handle has a very large grip area making it ideal for older persons and the less able and has a smooth overall shape that blends in with the surroundings. The internal finger area has been shaped to give maximum comfort and grip and for ease of infection control.



CLASSIC GRIP ON BACK PLATE

Classic Grip pull handle mounted on a slim curved back plate (other back plate options available). Supplied with security screws for extra security.

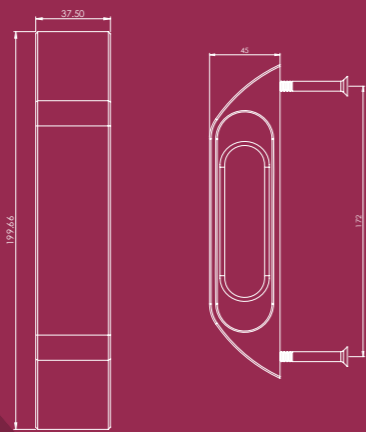
CODE: LG60



CLASSIC GRIP

Classic Grip pull handle with bolts. Can be used back to back with an LG60 or for riser doors.

CODE: LG61

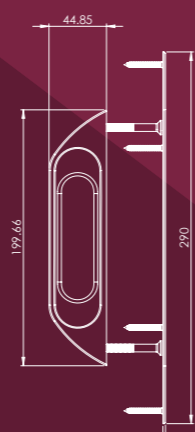


Radiused end push plate also available

CLASSIC GRIP WITH COVER PLATE

Classic Grip pull handle with radiused end cover plate to cover the bolt fixings.

CODE: LG62



HANDLES

ERGOGRIP HANDLES

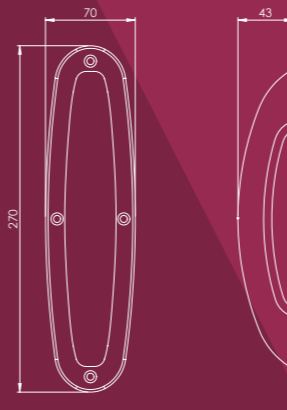
The Ergogrip pull handle has smooth flowing lines designed to make interiors less institutional yet give users a large grip area. Being anti ligature by design it is also very effective for infection control having no hidden recesses or hard to reach areas.



ERGOGRIP ON BACK PLATE

Ergogrip pull handle mounted on a slim curved back plate (other back plate options available). Supplied with security fixings.

CODE: LG40



ERGOGRIP

Ergogrip pull handle with bolts. Can be used back to back with an LG40 or for riser doors.

CODE: LG41

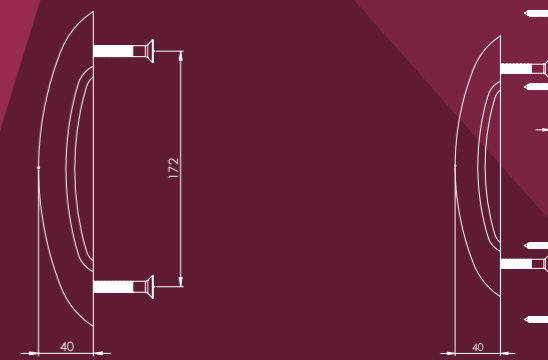


Radiused end push plate also available

ERGOGRIP WITH COVER PLATE

Ergogrip pull handle with radiused end cover plate to cover the bolt fixings.

CODE: LG42



HANDLES

EASY GRIP

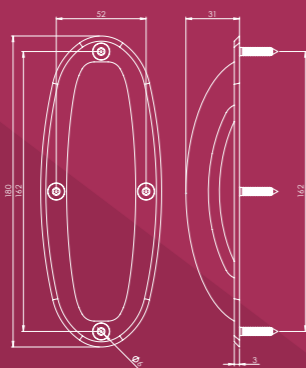
The Easy Grip pull handle is a compact handle that has a shaped back plate to enhance the overall appearance and create a modern environment. It has been designed to give excellent grip yet remain safe for installation in all user group areas.



EASY GRIP ON BACK PLATE

Easy Grip mounted on a shaped back plate and supplied with security fixings.

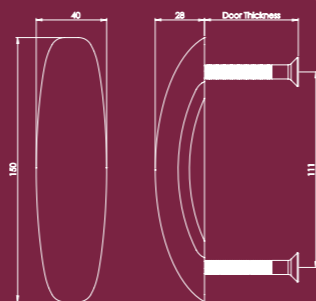
CODE: LG30



EASY GRIP

Easy Grip handle with bolts. Can be used back to back with an LG30.

CODE: LG31



HANDLES

RECESSED PULL HANDLES

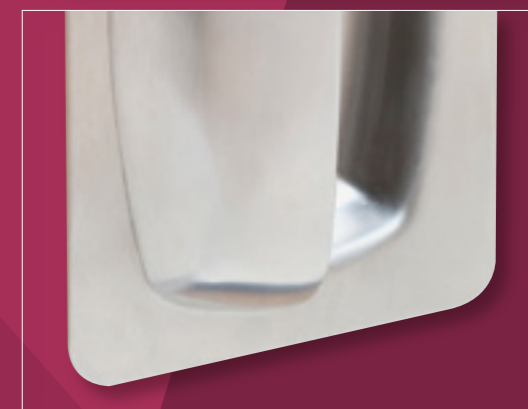
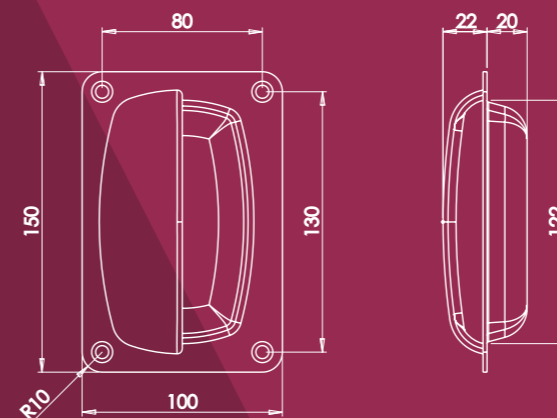
The recessed pull handle is a very slim handle that offers an excellent grip area which makes it suitable for all user groups. Smooth lines and softened overall finish all help to ensure that it is an effective handle for infection control and ideal for creating modern environments.



FACE FIXED PULL HANDLE

Recessed pull handle with security fixings.

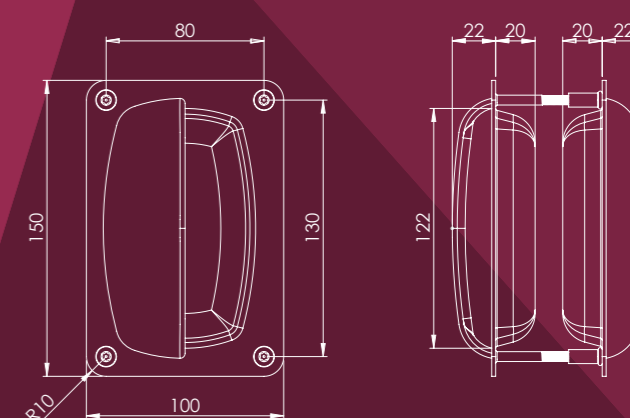
CODE: LG70



RECESSED HANDLE BOLT FIXED PAIR

Recessed bolt fixed pull handle pair. Supplied with bolts to suit 44 and 55mm doors.

CODE: LG71



CASE STUDY

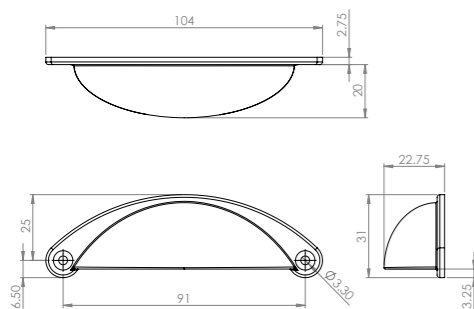
Client South Staffordshire & Shropshire NHS Foundation Trust
Location St Georges Hospital
Project Complete bedroom and en suite doorsets

The Easy Grip handle was selected on the St Georges project as being a well balanced anti ligature handle that provided a good grip yet was discrete and modern by design. It was used in both the bolt thorough and face fix versions on this project to meet the specific requirements and enhance the patient area.

HANDLES

SMALL CUPPED
PULL HANDLE

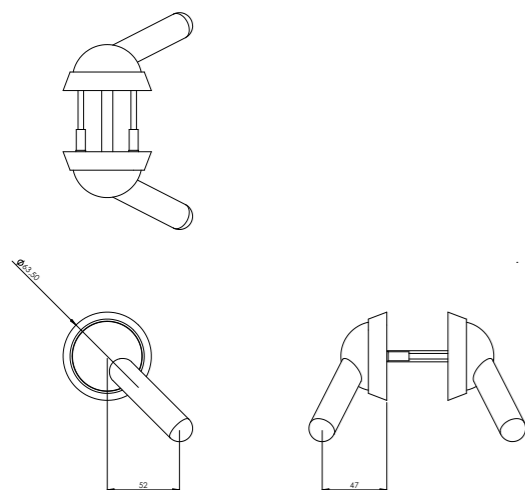
The Logica small cupped pull handle is ideally suited to items of furniture, sliding cupboards and windows. It is fixed from the face and has a good grip area whilst being anti-ligature from all directions



HANDLES

LEVER SET

The Logica lever set has been re-included through popular demand. This high quality machined stainless steel lever set is easy for all age groups to operate and is a deterrent against ligature attachment from inside the room as the lever is set at 45°.



SMALL CUPPED PULL HANDLE

Small cupped pull handle with two button head security fixings.

- Suitable for use on wardrobe doors
- Ideal for use as a discrete window handle

CODE: LG50



STAINLESS STEEL LEVER SET

Sold stainless lever set that fixes at 45° to reduce the risk of ligature attachment and allow ease of use for all ages.

Bolts through at 38mm centres with an 8mm square spindle making it suitable for use with a wide range of lockcases. Suitable for doors up to 60mm thick.

Note. This is an unsprung lever set – please ensure this is installed for use with a medium to heavily sprung lockcase.

- Fits standard lockcases using 38mm centre holes and 8mm spindles
- Available as half lever sets bolting through to a blank rose.

CODE: LG90

SECTION 3

ANTI BARRICADE

32 SWING
HINGE

34/35 SWING STOP &
SWING THRU

36 LG220 &
LG219

Design Guidance

“Doors should be capable of being opened outwards in an emergency situation, so that service users may not barricade themselves in”

Adult Acute Mental Health Units
Planning and Design Manual - 2012



ANTI BARRICADE

THE SWING HINGE SYSTEM

CODE: LG202



The Swing Hinge is a unique double action hinge allowing doors to swing 105° in both directions. When used with a Swing Stop removable door stop it creates a highly effective solution against barricading.

The Swing Hinge is a unique double action hinge allowing doors to swing 105° in both directions. When used with a Swing Stop removable door stop it creates a highly effective solution against barricading.

CASE STUDY

Client Hertfordshire Partnership NHS Trust
Location Glaxo Unit
Project Complete doorsets supplied as a full package

The Swing Hinge can be supplied with a transom closer to create the perfect solution for doors that need to be self-closing for fire rating and also double action for anti barricade reasons. This concealed closing option was chosen for the Glaxo Unit doors as it met all requirements and was also anti ligature by design. Changes to the closing speed and latching action can be made by removing the cover plate giving you access to the two adjusting screws.

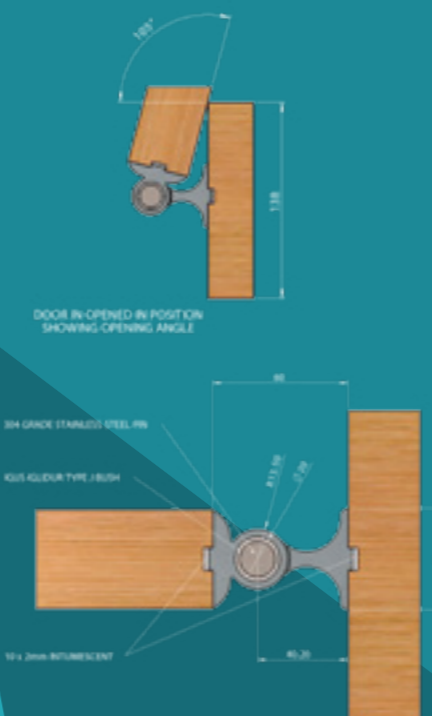


FEATURES & BENEFITS

The Swing Hinge can be used for double action doors or can be used with release devices such as a push in door stop (page 36) or a Swing Stop (page 34) to create highly effective anti barricade doorsets.

SWING HINGE OPERATION

The Swing Hinge can be used with a transom closer to create the perfect solution for self closing doors and fire doors. This picture (left) shows the cover plate of the transom closer making it the most discrete closing solution for double action doors.



ANTI-LIGATURE

No ligature points and no sight lines through the hinge making it fully anti-ligature. Ideal for use in high risk areas where patients may be left without supervision.



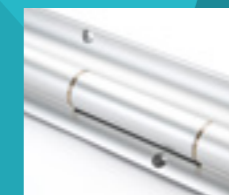
SAFETY

Finger safe design when opening in either direction. Ideal for use in high risk areas where patients may be left without supervision.



LONG LIFE

Cycle tested for constant opening and closing in both directions. Ideal for high traffic doors where they are in constant use.



ROBUSTNESS

Manufactured from aluminium and stainless steel rod for maximum strength and durability. The whole weight and force of the door is spread over the entire length of the hinge and held rigid by a central solid 16mm stainless steel rod.



SELF CLOSING

Available with a double action closing device that fixes in to the frame head. The ultimate option for use with fire rated doorsets and auto locking devices where security is a consideration.



FIRE RATED

Suitable for use on FD30 fire rated doorsets. This makes it suitable for fire compartment areas making it more versatile.



SIMPLE INSTALLATION

A location groove in the back of each section ensures correct fitting. Secure and simple installation ensures that the only way it can be installed is the correct way.

ANTI BARRICADE

THE SWING STOP SYSTEM

LG205 LEFT HAND / LG206 RIGHT HAND



The Swing Stop is a door stop that runs the entire length of the closing edge of the door that has two release catches. When these are unlocked the Swing Stop can be flipped outwards allowing the door to open in the opposite direction. This system works extremely well with the Swing Hinge continuous double action hinge.

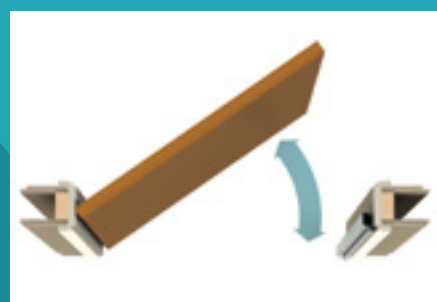


Normal operation the door opens inwards for staff and service users alike.

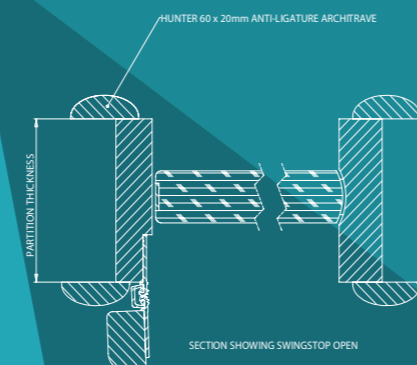
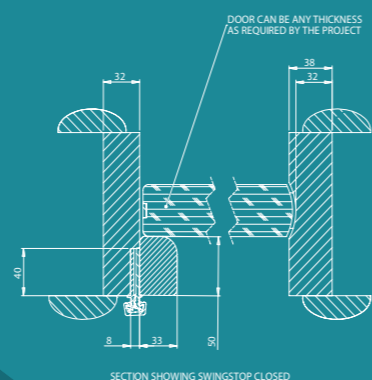
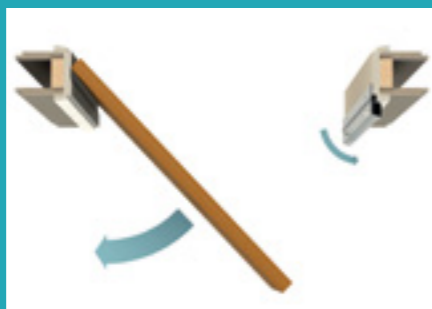
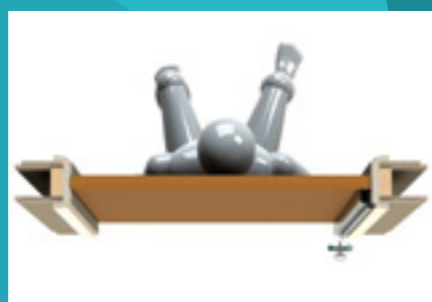
Anti barricade operation the staff key is used to unlock the Swing Stop.

The Swing Stop is now able to be flipped outwards allowing the door to swing outwards.

NORMAL OPERATION



ANTI BARRICADE OPERATION



ANTI BARRICADE

THE SWING THRU SYSTEM

CODE: LG149



The Swing Stop can be used in conjunction with a Swing-Thru strike plate that allows doors to open outwards even if the door is locked and the bolt thrown.



FEATURES & BENEFITS

The Swing Stop and the Swing Thru strike plate can be used to effectively overcome barricade situations quickly and simply.



EASE OF USE

Simply undo both locks and the door can open outwards. The Swing Stop has easy access key points on the face of the section with clear 'unlock' directions on the bezels.



ANTI LIGATURE

Manufactured using a Logica continuous hinge with a chamfered anti ligature cap. This eliminates ligature attachment from above or through the hinge.



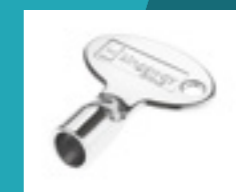
FIRE RATED

Suitable for use on FD30 fire rated doorsets. This makes it suitable for fire compartment areas making it more versatile.



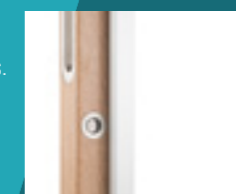
SIMPLE INSTALLATION

The Swing Stop can be retro fitted to existing double action doorsets. Due to the locks being integral to the Swing Stop they can be fitted to existing frames without making key ways in the frame.



SYSTEM DESIGN

Operates using a Kingsway key which can either be the common square drive or the new high secure oval drive. Simplicity is everything when it comes to effective operation which is why we have chosen to use a single key to operate all our products.



OPERATIONAL OPTIONS

Also available with the high secure oval drive option for high secure applications. See page 24 for details.

ANTI BARRICADE RELEASE DEVICES

Options of release devices are available for standard doors operated by floor springs or pivots and also for leaf and a half doors to allow staff access in emergencies

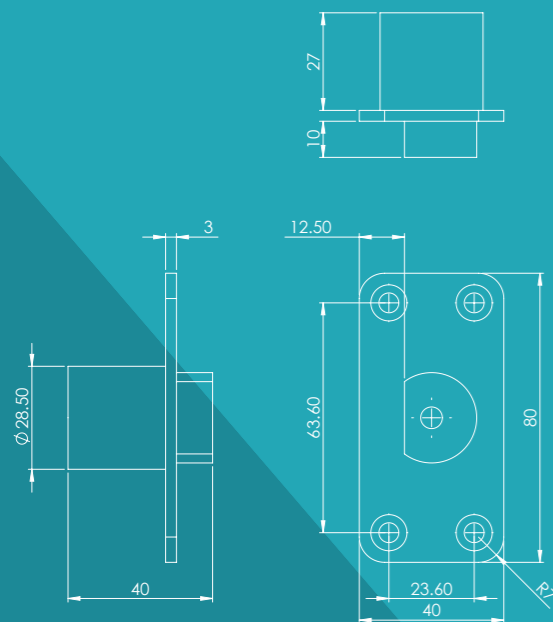
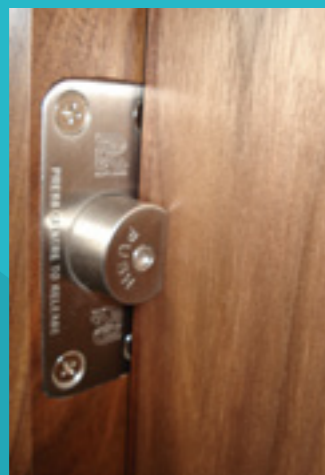


PUSH IN DOOR STOP

Locking push in door stop in stainless steel 304 grade. Supplied with security screws for extra safety.

- An emergency release door stop that recesses in to the door frame providing a secure stop that can be pushed in emergencies
- Operated using a pointed object to fully retract allowing the door to be swung outwards

CODE: LG219

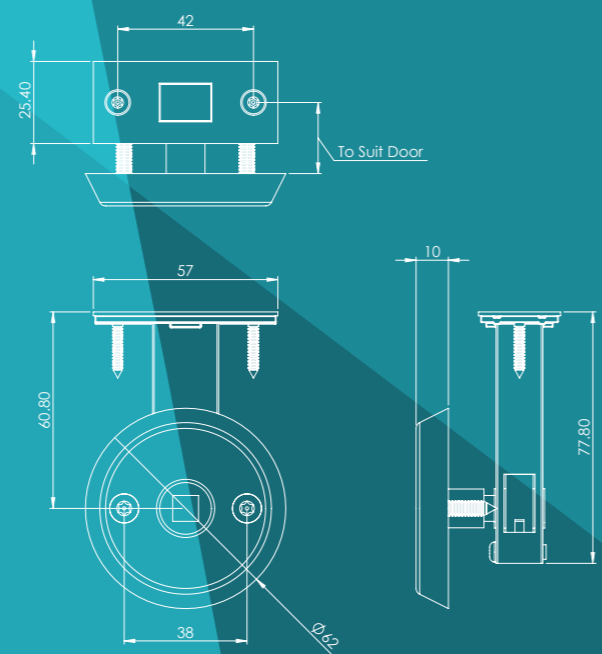


SECURITY BOLT

Release device for leaf and a half door sets to allow them to open outwards in emergency situations. Operated by an 8mm square key drive. Supplied with security fixings

- An emergency release deadbolt that securely locks half leaf doors
- Operated using an 8mm square drive key to provide an effective solution for anti-barricade leaf and a half doorsets

CODE: LG220



SECTION 4

DOOR CLOSERS

38 SIDE CLOSER

39 TOP CLOSER

40 FLOOR SPRINGS



DOOR CLOSERS

RECESSED SIDE CLOSERS

Adjustable speed hydraulic jamb closer that allows the door to be opened to 120 degrees. Recessed in to the side of the door and the frame for minimal risk of ligature attachment.



RECESSED SIDE CLOSER

Recessed side closer that offers an adjustable closing speed and latching action for doors up to 80kg and 940mm wide. Fire rated for both 60minute and 30 minute doors and tested to 500,000 cycles.

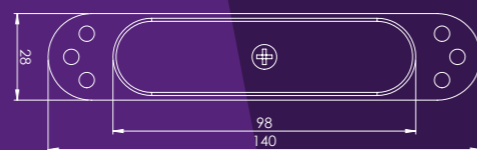
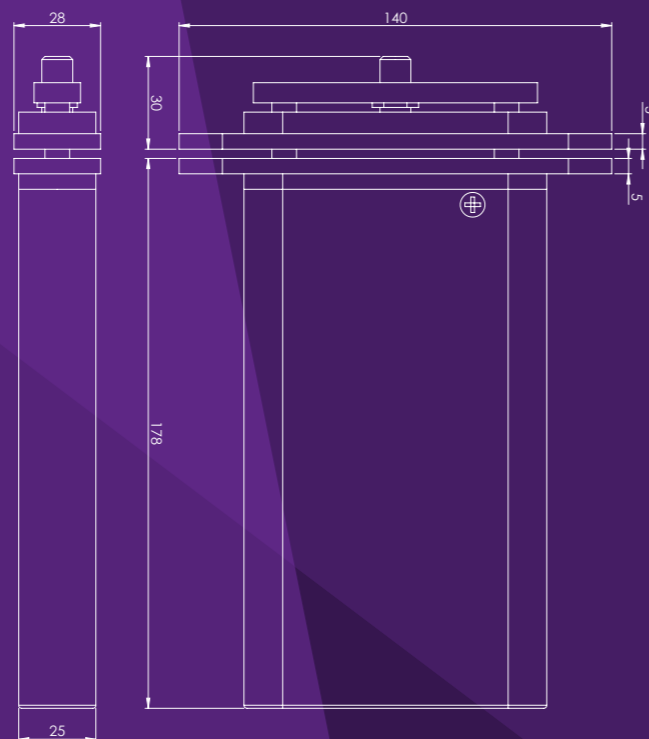
CODE: LG21



Discrete closing solution for fire rated doors



Integrates well with the LG200 continuous hinge (page 41) to make a safe closing solution.



DOOR CLOSERS

RECESSED TOP MOUNTED CLOSERS

Concealed top mounted closer that fits inside the head of the door to provide a discrete closing solution for double and single action doors.



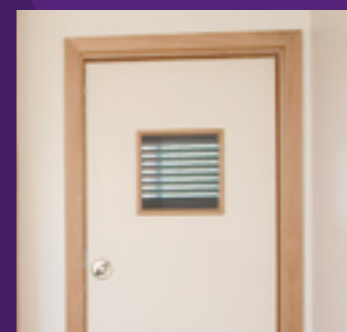
RECESSED TOP MOUNTED CLOSER

Recessed top mounted closer that has adjustable closing and latching functions for doors up to 80kg and 1100mm wide. Fire rated for both 60minute and 30 minute doors.

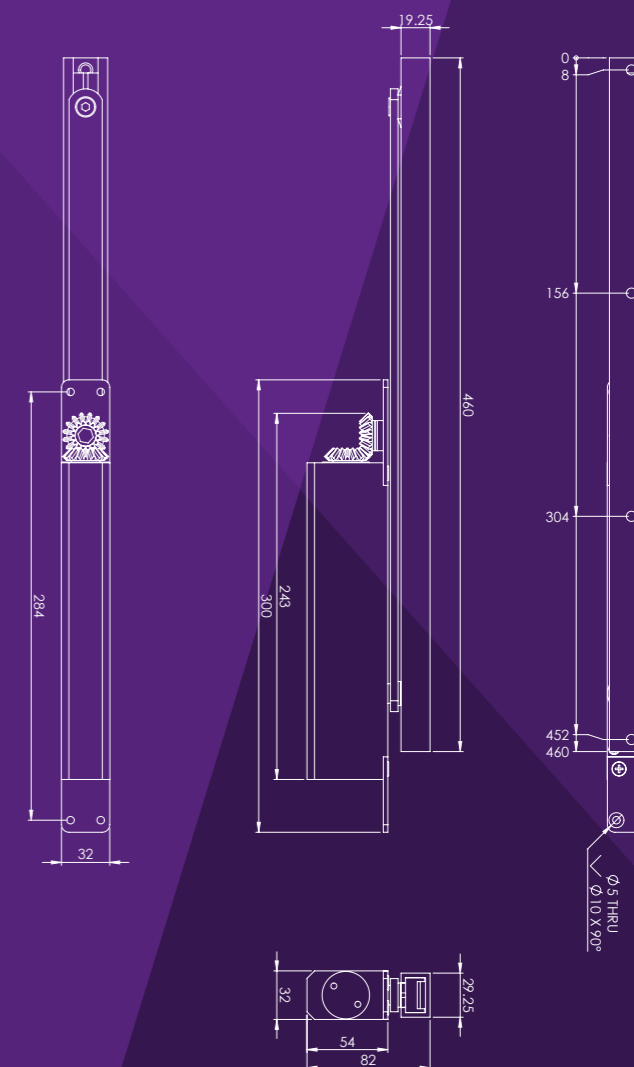
CODE: LG20 - SINGLE ACTION
LG22 - DOUBLE ACTION
LG29 - INTUMESCENT PACK



Discrete closing solution for fire rated doors



Invisible when closed – ideal for high risk areas



DOOR CLOSERS

FLOOR SPRINGS

Floor springs offer the ultimate door closing solution having no visible ligature points. Ideal for anti-barricade doors and also high traffic corridor doors.



FLOOR SPRINGS

Fully adjustable closing and latching speeds for doors up to 1100mm wide and 105kg in weight. Allows 180° opening and 90° hold open function.

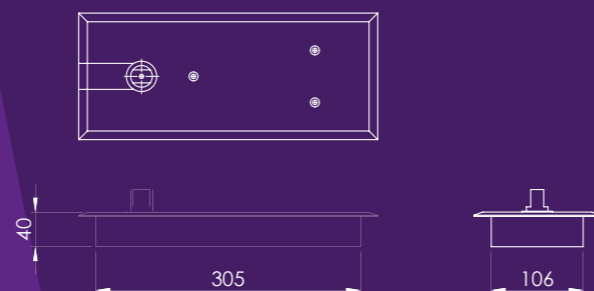
CODE: LG27 NON HOLD OPEN FLOOR SPRING
LG28 HOLD OPEN FLOOR SPRING



Varying spindle lengths available



The floor spring box is recessed in to the floor to provide a discrete, anti ligature solution.



CASE STUDY

Client South West London & St Georges NHS Foundation Trust
Location Bluebell Ward
Project Complete doorsets supplied with ironmongery factory fitted

The Logica floor spring was specified for use in the Bluebell Ward project to provide an anti ligature means of making the doors self closing to meet fire regulations. The double action version was used for this project in conjunction with a removable doorstop (page 32) that allowed the door to be opened outwards in an emergency.

SECTION 5

HINGES & PIVOTS

42 BUTT
HINGES

43 CONTINUOUS
HINGE

44 PIVOT
SETS



Design Guidance

“Door hinges should have captive pins”

Adult Acute Mental Health Units
Planning and Design Manual 2012

HINGES & PIVOTS

BUTT HINGES

Logica butt hinges have an anti-ligature chamfered tip and are made to the highest standards from stainless steel for heavy duty usage and long life. Available with square and radiused corners.



BUT HINGES

Stainless steel grade 13 butt hinges with chamfered anti ligature tips. Available with both square and radiused corners for ease of installation

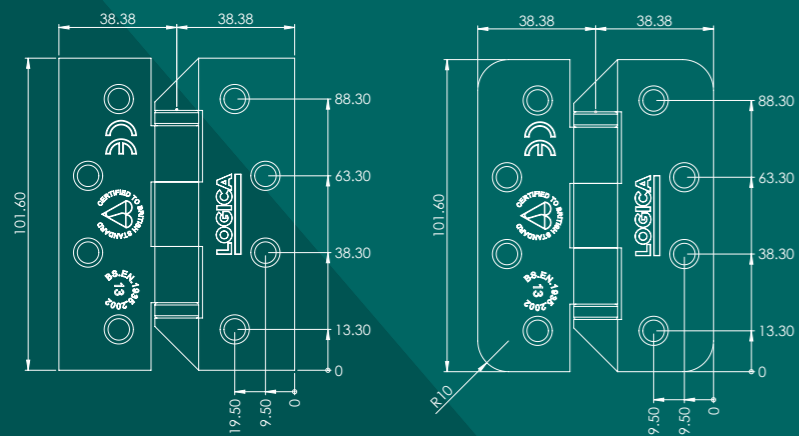
CODE: LG104 SQUARE CORNER BUTT HINGE
LG105 RADIUSED CORNER BUTT HINGE



Radiused corner version for ease of installation.



Anti-ligature tip for peace of mind.



HINGES & PIVOTS

CONTINUOUS HINGES

Anti ligature full length geared continuous hinges are the ideal option for anti ligature doorsets. Supplied with an anti ligature tip and security fixings for total peace of mind for secure environments.



CONTINUOUS HINGES

Geared aluminium continuous hinges for high strength and maximum safety

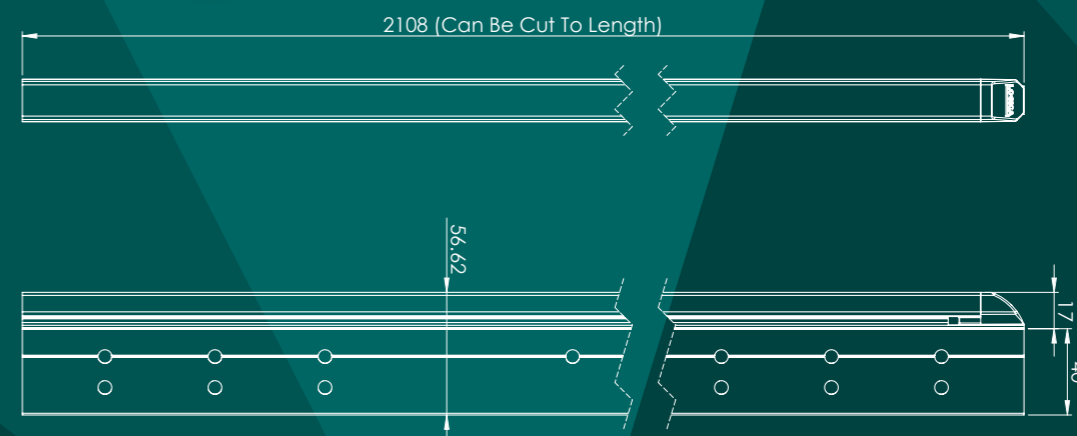
CODE: LG200



Anti ligature tip for extra safety.



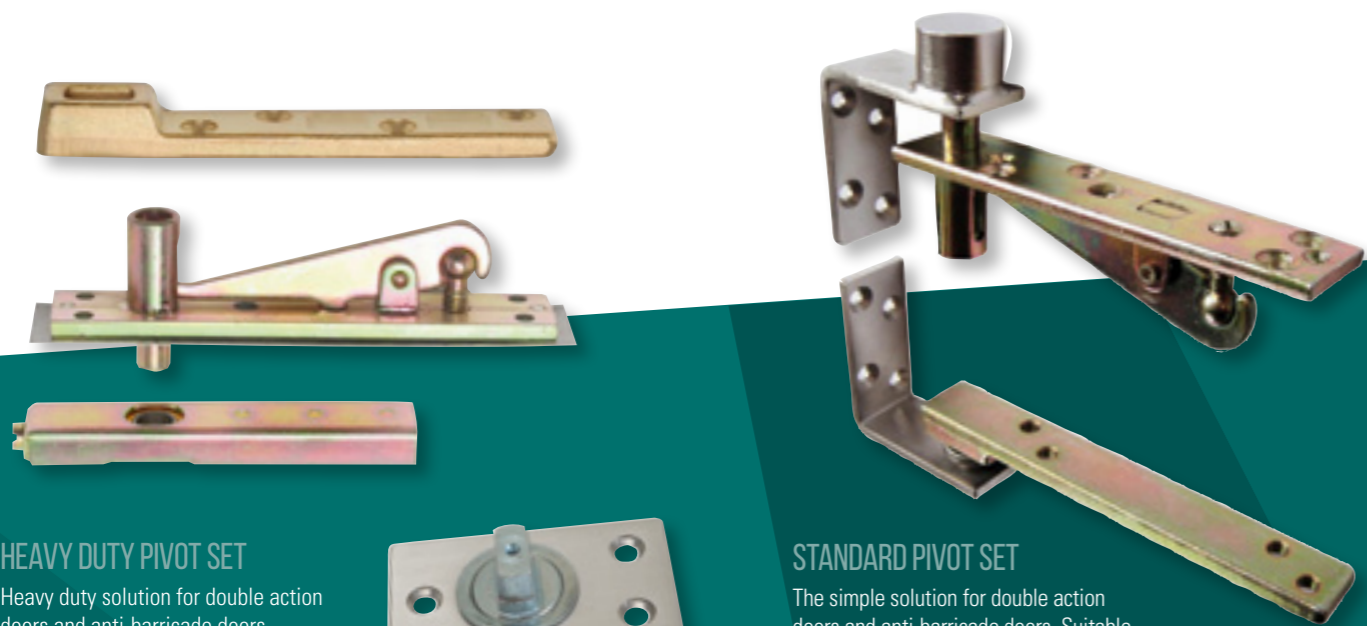
Available with a milled cut out to allow it to work with the side closer (LG21 page 36)



HINGES & PIVOTS

PIVOT SETS

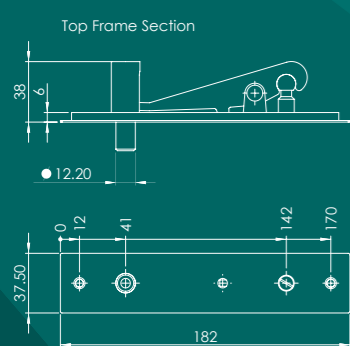
Heavy duty pivot sets for double swing and anti barricade doors. High quality components for maximum endurance and lifespan.



HEAVY DUTY PIVOT SET

Heavy duty solution for double action doors and anti-barricade doors. Suitable for doors up to 80kg

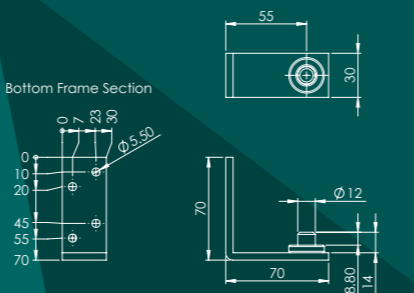
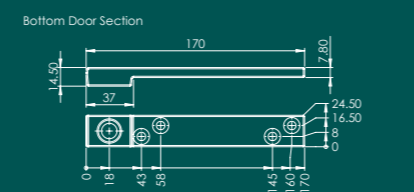
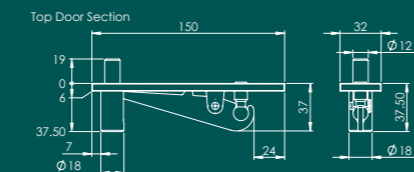
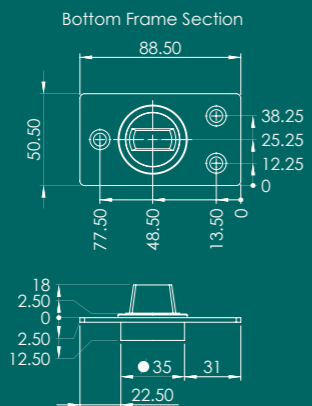
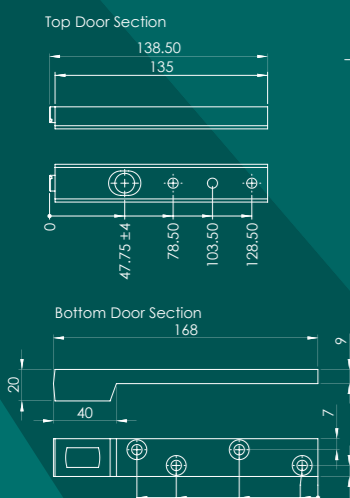
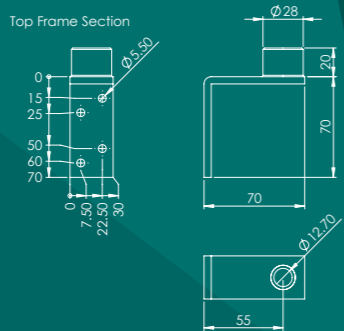
CODE: L626



STANDARD PIVOT SET

The simple solution for double action doors and anti-barricade doors. Suitable for doors up to 50kg

CODE: L625



SECTION 6

ANCILLARY

47 QUARTER TURN | 49 DOOR STOPS | 50 ACCESS PANELS



Design Guidance

“Where coat hooks are used they should be anti-ligature and flexible”

Environmental Design Guide
Adult Medium Secure Services2011

ANCILLARY PRODUCTS

DOOR PLATES & ESCUTCHEONS

Stainless steel finger and kick plates and solid stainless steel escutcheons to give added protection and security.



FULLY RADIUS END PUSH PLATES

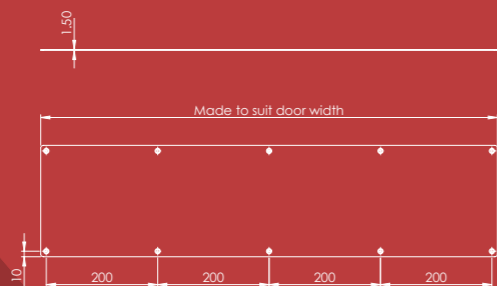
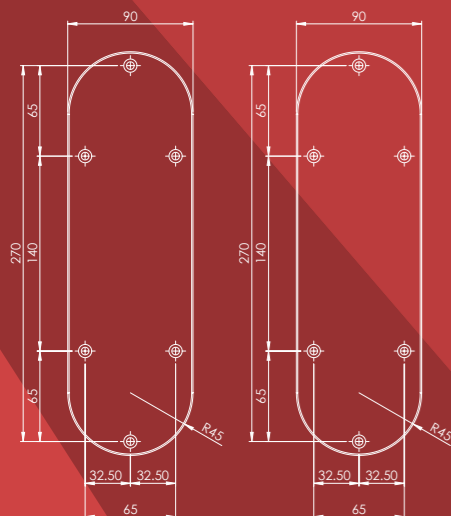
Stainless steel fully radiused end push plate with chamfered edges. Supplied with security fixings.

CODE: LG100

STAINLESS STEEL KICK PLATES

1.5mm x 200mm deep stainless steel protection plates made to order in any length.

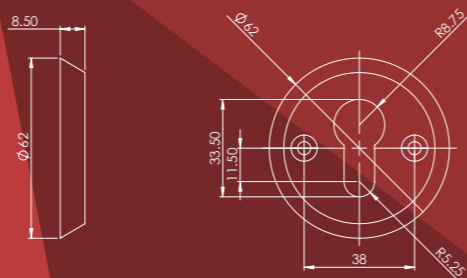
CODE: LG110



SOLID STAINLESS STEEL ESCUTCHEONS

Solid stainless steel escutcheons to suit both single and double cylinders. The face fix escutcheon is supplied with security screws and the bolt fix option is supplied with a variety of security bolts to suit door thicknesses from 44mm up to 62mm.

CODE: LG175 BOLT FIX PAIR
LG176 FACE FIX SINGLE



ANCILLARY PRODUCTS

QUARTER TURN LOCK

An emergency release deadbolt that securely locks half leaf doors



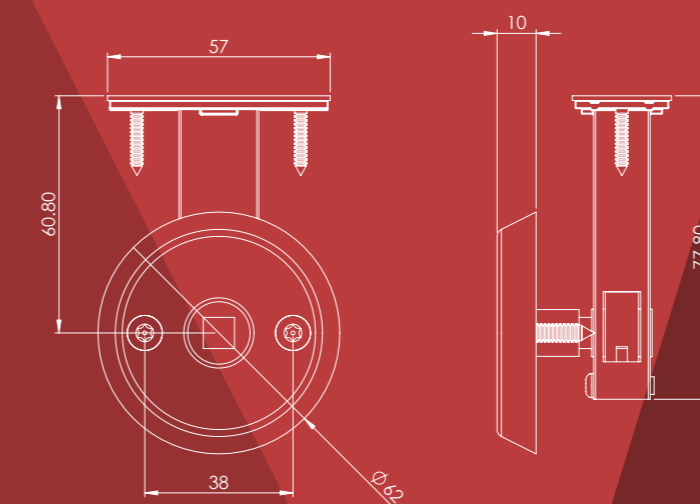
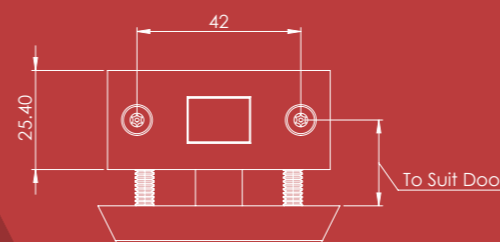
Operated using an 8mm square drive key to provide an effective solution for anti-barricade leaf and a half doorsets



SECURITY BOLT

Release device for leaf and a half door sets to allow them to open outwards in emergency situations. Operated by an 8mm square key drive. Supplied with security fixings

CODE: LG220



OVAL KEY AVAILABLE

Oval drive secure option
See page 24.



ANCILLARY PRODUCTS

COAT HOOK

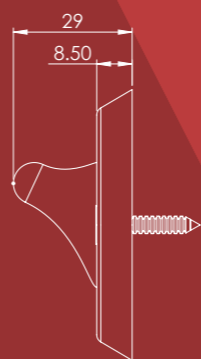
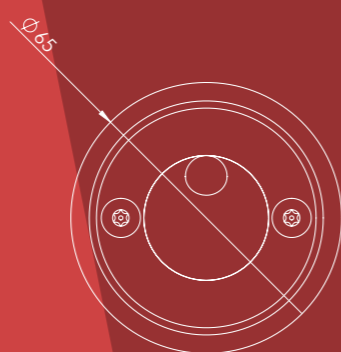
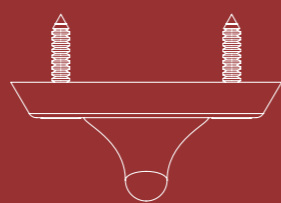
The Logica anti ligature coat and towel holder has been designed to provide a simple means of holding a garment or towel whilst providing no ligature or self harm opportunities.



LOGICA COAT HOOK

Stainless steel surround rubber coat hook that releases when excessive downwards force is applied. Designed to withstand abuse and harsh treatment it is the ideal product for garments and towels and can be used safely in all areas.

CODE: LG180 BLACK
LG179 BLUE



Flexible rubber hook part prevents ligature attachment



Supplied with security fixings that pass through the rubber part to stop it being removed.



Also available in blue

ANCILLARY PRODUCTS

DOOR STOPS – FLOOR & WALL MOUNTED

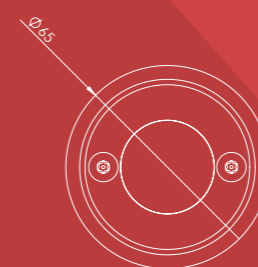
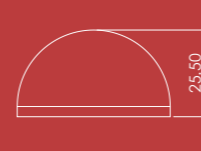
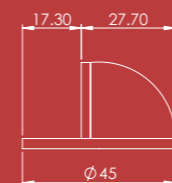
Logica floor and wall mounted door stops to ensure the wall and the door do not come in contact. Designed for secure environments and using high pressure rubber and security fixings.



FLOOR MOUNTED DOOR STOP

Solid stainless steel floor mounted door stop with a high pressure rubber cushion to prevent the door hitting the wall

CODE: LG181



WALL MOUNTED DOOR STOP

Solid stainless steel surround with a high pressure rubber dome to cushion doors from contact with the wall. Supplied with security fixings that pass through the rubber part to ensure this cannot be removed.

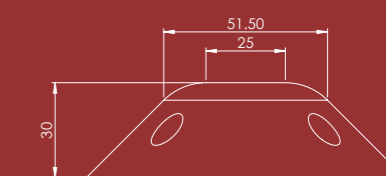
CODE: LG182



LARGE RUBBER WALL MOUNTED DOOR STOP

Solid high pressure domed rubber door stop for use on walls and doors. Can be fitted to the skirting and door to provide a maximum clearance where large items of ironmongery are used.

CODE: LG183



CASE STUDY

Client Worcester Health & Care NHS Trust
Location Newtown Hospital
Project Complete doorsets supplied as part of full ward refurbishment

The Logica wall mounted doorstop was selected for use together with a large floor to ceiling timber post to protect both the walls and doors from being damaged. This solution provided a way in which the hardware would not come in contact with the wall and also did not present a patient risk. As two door stops were used for each door it ensured that the door could not be twisted and damaged when forced against the stops. The floor to ceiling post was provided as part of the overall door package and was manufactured from solid American White Oak and machined out to allow for the ironmongery.

ANCILLARY PRODUCTS

WALL ART

Secure Scene is the high strength framing method for displaying wall images and pictures safely and securely.

**LOGICA SECURE SCENE ART FRAME**

The secure scene frame is a two part construction comprising of a metal sub frame that attaches to it securely holding the picture in place under a 3mm sheet of polycarbonate.

Standard size is 1150 x 900 but any size frame can be made - please enquire.

CODE: LG385

ANCILLARY PRODUCTS

SECURE WALL CLOCK

The Logica secure wall clock is a robust, ligature resistant product that can be used in the most extreme environments effectively.

**LOGICA SECURE WALL CLOCK**

The secure wall clock is a long awaited product that has been designed and manufactured for heavy duty usage. It has a moulded polycarbonate domed lens that wraps around the entire aluminium casing making it virtually indestructible with a date/temperatures digital insert display making it ideal for seclusion rooms.

- 3mm moulded polycarbonate domed lens over an aluminium case body.
- Date / temperature display digital insert

CODE: LG125

ANCILLARY PRODUCTS

ACCESS PANELS

Secure access panels to allow ease of operation yet protect against abuse and self harming.

**LOGICA SECURE ACCESS PANELS**

These secure steel panels are manufactured to allow ease of the access to vital services yet guard against physical abuse and the risk of fire. Fitted with a heavy duty deadbolt lock and operated by a euro cylinder which is protected by a solid stainless steel escutcheon.

- Cylinder Lock With Escutcheon
- Ideal for ceiling hatches

CODE: LG361 300 X 300MM ACCESS PANEL
LG362 450 X 450MM ACCESS PANEL
LG363 600 X 600MM ACCESS PANEL
FOR FIRE RATED OPTION ADD 'FR' TO THE CODE

Design Guidance

"Access for maintenance and servicing should where possible be from non-service user areas through secure locked doors or panels"

SECTION 7

HATCHES

| **52** MEDICINE
HATCH

| **54** TRAY & SERVICE
HATCH

| **56** PLATE
HATCH



SERVICE HATCHES

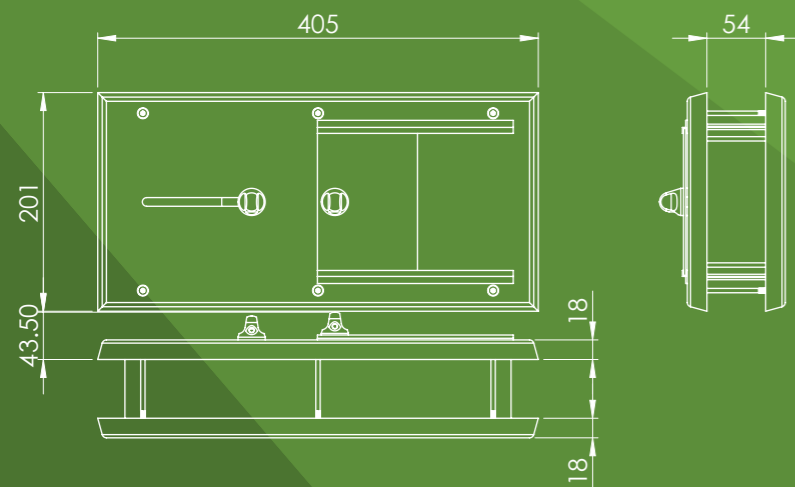
SAFE SERVE MEDICINE HATCH

The Logica medicine hatch is a heavy duty unit that has a locking chamber to allow small items to be passed through the door from staff to patients. When the hatch is open to the staff side it is locked on the patient side eliminating the risk of patient contact.



Closed staff side.

Closed patient side.



SAFE SERVE MEDICINE HATCH

Stainless steel medicine hatch for use in 54mm thick doors. This unique unit allows small items to be passed from the staff to patient without any risk of contact. Made from heavy duty 2mm 316 grade stainless steel for maximum durability and corrosion resistance. Bevelled fascia and molded knob controls to limit ligature attachment and provide an effective solution for treatment and seclusion suites.

CODE: LG171

SERVICE HATCHES

SAFE SERVE VISION HATCH

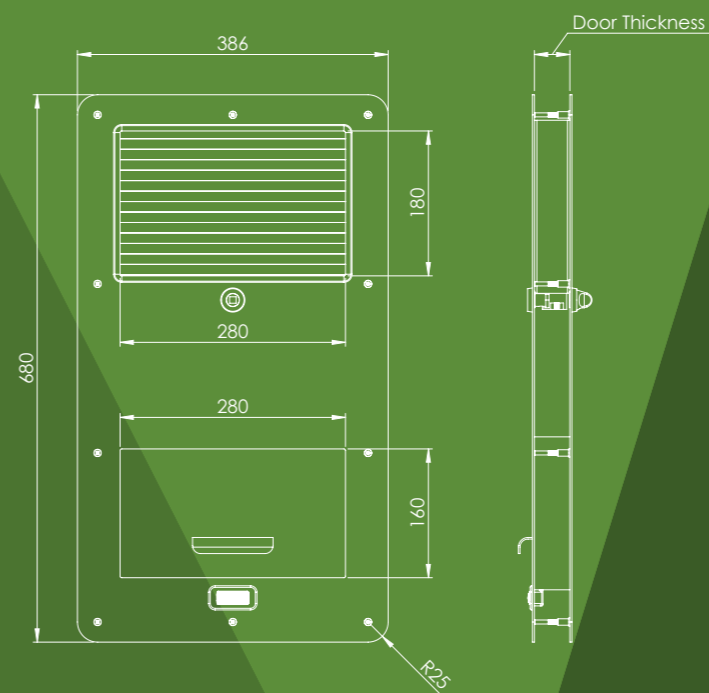
The Logica viewing hatch is a door mounted stainless steel unit that combines a heavy duty Duralux vision panel with a sliding service hatch. Manufactured for challenging environments and secured with security bolts it is an all-in-one unit for patient care and observation.



Controlled staff observation



Sliding service hatch to allow food trays to pass through



SAFE SERVE VISION HATCH

Stainless steel vision panel with a service hatch which has an opening of 125 x 300 to allow plates and large items to be handed through. The hatch automatically locks on the front catch for added safety

CODE: LG172

SERVICE HATCHES

SAFESERVE SERVICE HATCHES

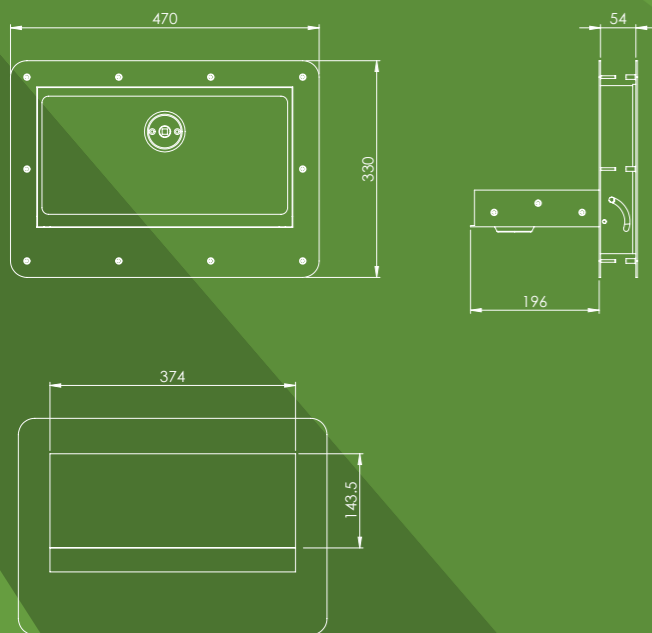
The SafeServe pass through hatches allow food and larger items to be passed through the door without actual entry.



SAFESERVE TRAY HATCH

Manufactured from high grade stainless steel the tray hatch allows trays to be passed through the door to the patient without entering.

CODE: LG162 - 44MM DOOR
LG163 - 54MM DOOR

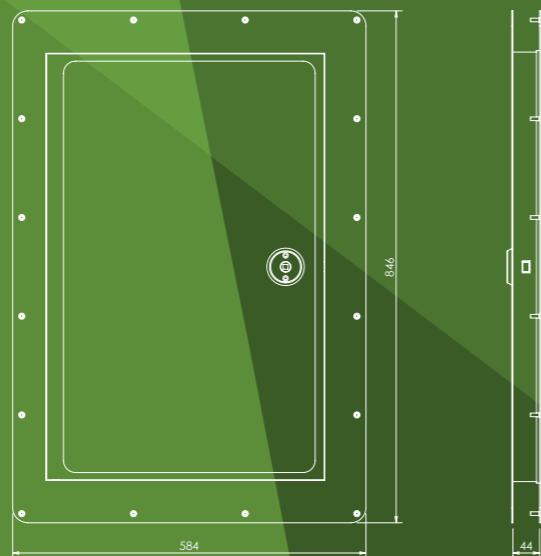


SAFESERVE DOOR HATCH

Manufactured from high grade stainless steel the door hatch allows larger packages to be passed through the door without entering.

Size 720x500 cut out size

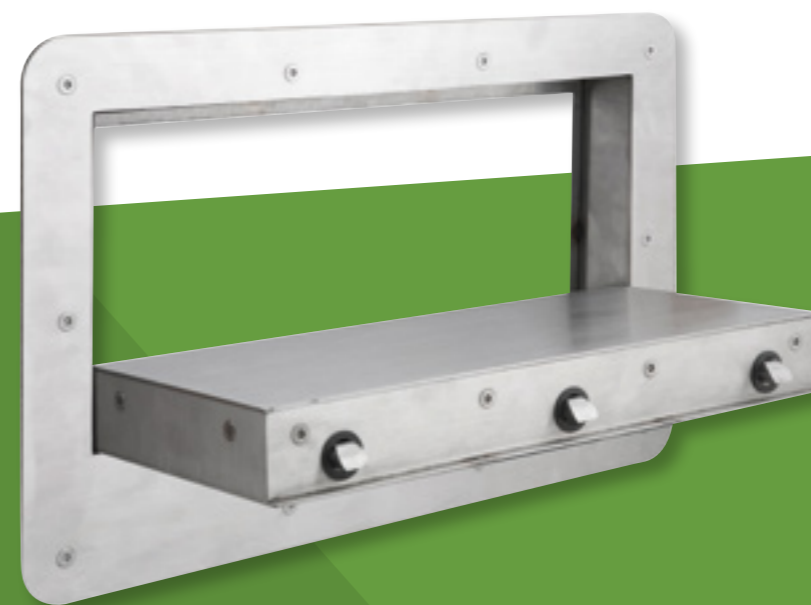
CODE: LG166 - 44MM DOOR
LG167 - 54MM DOOR



SERVICE HATCHES

SAFESERVE 3-POINT LOCKING HATCH

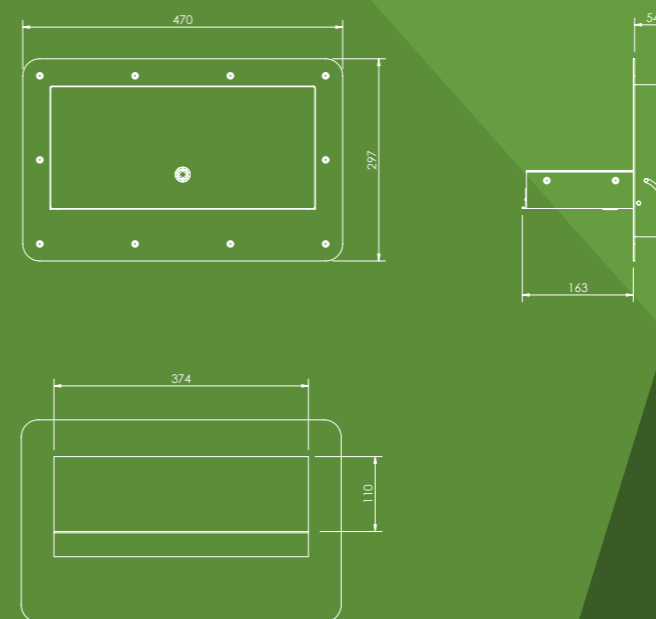
The SafeServe stainless steel hatch has been developed for high secure use and features 3 auto locking solid stainless steel bolts.



Single key operation from staff



Heavy duty auto locking bolts



SAFESERVE SECURE TRAY HATCH

Manufactured from high grade stainless steel the secure tray hatch is suitable for the toughest environments. The locking mechanism is centrally operated with an 8mm square drive key which releases the 3 auto locking dead bolts. The hatch is fully locked when shut for ultimate security and safety.

CODE: LG1625 - 44MM DOOR
LG1635 - 54MM DOOR

SERVICE HATCHES

SAFE SERVE FOOD HATCH

DESIGNED IN CONJUNCTION WITH: **Southern Health** **NHS**
NHS Foundation Trust

The Logica Safe Serve food hatch is a unique wall unit that allows the safe service of food into secure areas. It is a highly robust and solid unit that gives staff maximum protection when serving larger items.

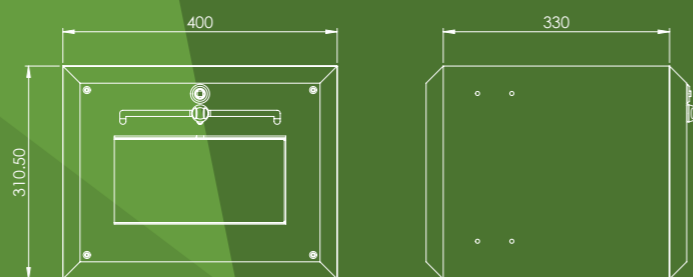


Closed staff side.

SAFE SERVE FOOD HATCH

The Safe Serve rotating food hatch allows items up to 220mm wide to be passed through to patient areas without staff risk. Manufactured from high grade 304 stainless steel with a heavy duty bevelled edge surround for maximum safety and durability. Designed with a built in quick release function that allows the whole unit to be taken out and cleaned for better infection control and hygiene.

CODE: LG160



CASE STUDY

Client Mersey Care NHS Trust
Location Clock View unit
Project Specialist hatches and washroom items as part of the new build project

The Logica Safe Serve food hatch was installed in the seclusion suites at the new Clock View unit as a safe means of passing food through to service users. This robust stainless steel unit was selected for its durability and its easy clean features. Being manufactured from marine grade 316 Stainless Steel and using plastic bearings and washers for its rotation action it can be cleaned without risk of impairing the functionality.



SECTION 8

VISION PANELS

| 58 DURALUX | 62 VISILUX | 68 PYROLUX



Design Guidance

“The bedroom should have a vision panel to allow staff observation into the room”

Adult Acute Mental Health Units
 Planning and Design Manual 2012

VISION PANELS: DURALUX VISION PANELS

The original high strength fit for purpose vision panel that has been designed specifically for challenging healthcare environments.

A simple 90° turn of either the staff key or patient thumb turn aligns the frosted bands on the glass allowing vision through the door.



PATIENT SIDE

- Anti ligature thumb turn
- No visible fixings
- Pyrosec 19mm attack resistant glass
- 316 grade rounded stainless steel fascia that returns to the glass face



STAFF SIDE

- Recessed square key operation
- 12 M5 security bolts
- 10mm toughened glass
- 316 grade rounded stainless steel fascia that returns to the glass face

Design Guidance

“To reduce the risk of failure under attack, vision panels should be constructed with metal surrounds that can be securely fixed into the opening in the door.” -

Adult Acute Mental health Units - planning and design manual - 2012



FEATURES & BENEFITS



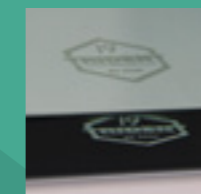
SECURITY

Manufactured using a special pressed stainless steel fascia that securely seals to the glass face on both sides. These are connected using 12 x M5 security bolts making sure the glazing unit is held safely and securely.



SAFETY

The softened outer edge of the fascia and the rounded anti-ligature thumb turn ensure that self-harm possibilities are reduced. All glazing used in Duralux units is Trident safety toughened glass which has been impact tested to ensure maximum safety.



HIGH STRENGTH GLAZING

The glazing used is 19mm and 10mm Trident attack resistant glass. This is secure within its own stainless steel casement to provide greater security and enhanced fire resistance.



STRIPE OPTIONS

The Duralux is available with any colour vision stripes even photographs. Use photos from our extensive selection or choose your own to create your own bespoke vision panel. See page 66 for more details.



FUNCTION OPTIONS

Duralux units can be made to operate from both sides or just one side and to be used with an 8mm staff keys or patient thumb turns. We offer either a hold open function or auto close function for the control which is available across the entire range.



DESIGN OPTIONS

In addition to there being two standard sizes available we also offer a bespoke size service which allows you to have Duralux panels to suit your aperture. As well as size options we also offer colour options for the vision bands, powder coat option for the fascia, and additional safety film for the glazing in extreme environments.



FIRE RATING

Duralux units are fire rated for both FD30 and FD60 doors and have undergone rigorous testing in both UK and European test laboratories.



SECURE KEY OPTION

Duralux panels are now available with the secure oval key option to make operation of the panel from the outside limited exclusively to staff only. See page 24 for more details.

SQUARE PANELS

470 X 470MM OUTSIDE FRAME
410 X 410MM CUT OUT

Code	Door Thickness	Control Type
D4400	44mm	Key operation and knob turn
D4401	44mm	Key operation both sides
D4402	44mm	Knob turn both sides
D4403	44mm	Key operation only
D4404	44mm	Knob turn only
D4500	54mm	Key operation and knob turn
D4501	54mm	Key operation both sides
D4502	54mm	Knob turn both sides
D4503	54mm	Key operation only
D4504	54mm	Knob turn only

RECTANGLE PANELS

865 X 315MM OUTSIDE FRAME
805 X 255MM CUT OUT

Code	Door Thickness	Control Type
D8400	44mm	Key operation and knob turn
D8401	44mm	Key operation both sides
D8402	44mm	Knob turn both sides
D8403	44mm	Key operation only
D8404	44mm	Knob turn only
D8500	54mm	Key operation and knob turn
D8501	54mm	Key operation both sides
D8502	54mm	Knob turn both sides
D8503	54mm	Key operation only
D8504	54mm	Knob turn only

Design option codes, please add as required when specifying: **AC** Auto Close option **U** Ultra option. Double width viewing stripe

VISION PANELS: DURALUX PLATINUM



The latest development in vision panels – the Duralux Platinum brings you high strength features of the original model with the added benefit of electronic switchable glass. By simply operating the staff key or pressing the button on the patient side the panel changes from opaque to clear in less than 0.1 seconds!



CASE STUDY

Client South West London & St Georges
NHS Foundation Trust

Location Bluebell Ward

Project Complete doorsets supplied with ironmongery and Duralux Platinum units.

Being a national deaf service, the Duralux Platinum unit was specified as being the most suitable vision panel for this ward. The Duralux Platinum, being an electronic switchable unit that changes from opaque to clear, allows staff and patients to communicate easily and simply by means of hand motions without having to go in to the rooms. These units were fitted with dual controls that allowed patients to operate them via push switch and staff to override them with the key operation.



PATIENT SIDE

- Anti ligature push switch
- No visible fixings
- 10mm toughened glass
- 316 grade rounded stainless steel fascia that returns to the glass face



STAFF SIDE

- Security key turn
- 12 M5 security bolts
- 10mm toughened glass
- 316 grade rounded stainless steel fascia that returns to the glass face



FEATURES & BENEFITS



SECURITY

Manufactured using a special pressed stainless steel fascia that securely seals to the glass face on both sides. These are connected using 12 x M5 security bolts making sure the glazing unit is held safely and securely.



SAFETY

The softened outer edge of the fascia and the flush patient push switch ensure that self harm possibilities are reduced. All glazing used in outer faces of Duralux Platinum units is Trident safety toughened glass which has been impact tested to ensure maximum safety.



DUAL CONTROLS

The switching used in the panel is two way switching that allows either side to control the panel to switch it from clear to opaque or vice versa.



FUNCTION OPTIONS

Duralux Platinum units can be made to operate from both sides or just one side and to be used with either keys or push switches.



ADVANCED TECHNOLOGY



Duralux Platinum panels incorporate Lumex switchable glass which is a 13mm toughened glass panel with a PDLC switchable interlayer. This is powered by 55v and requires power to be supplied to the door.



FIRE RATING

Duralux Platinum units are fire rated for both FD30 and FD60 doors and have undergone rigorous testing in UK laboratories to ensure compliance.

SQUARE PANELS

470 X 470MM OUTSIDE FRAME
410 X 410MM CUT OUT

Code	Door Thickness	Control Type
DP4401	44mm	Key control only
DP4402	44mm	Key control and patient push switch
DP4501	54mm	Key control only
DP4502	54mm	Key control and patient push switch



RECTANGLE PANELS

320 X 215MM CUT OUT

Code	Door Thickness	Control Type
DP3401	44mm	Key control only
DP3402	44mm	Key control and patient push switch
DP3501	54mm	Key control only
DP3502	54mm	Key control and patient push switch



865 X 315MM OUTSIDE FRAME
805 X 255MM CUT OUT

Code	Door Thickness	Control Type
DP8401	44mm	Key control only
DP8402	44mm	Key control and patient push switch
DP8501	54mm	Key control only
DP8502	54mm	Key control and patient push switch

VISION PANELS: VISILUX VISION PANELS

The Visilux is the original high quality, versatile vision panel that combines toughened glass and top quality components to compliment any healthcare environment.

A simple 90° turn of either the staff key or patient thumb turn aligns the frosted bands on the glass allowing vision through the door.



CASE STUDY

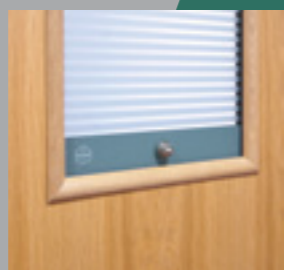
Client North East London NHS Foundation Trust
Location London Road
Project Complete hygienic wrapped doorsets to all patient areas

The Visilux vision panel was used on this project which involved hygienic wrapped doorsets where the Ash lipping matched the Ash beading round the Visilux panels. The overall look was clean, crisp and clinical.



PATIENT SIDE

- Anti ligature turn or DDA lever
- 6mm toughened glass for safety and security
- Secured with timber beads



STAFF SIDE

- Square key staff turn for security
- 6mm toughened glass for safety and security
- Secured with timber beads



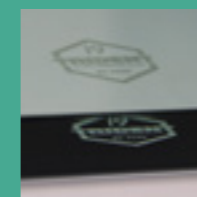
Metal fascia option

FEATURES & BENEFITS



SAFETY

The soft edges of the glazing beads, the rounded anti ligature thumb turn and shrouded square drive ensure that self-harm possibilities are reduced. All glazing used in Visilux units is Trident safety toughened glass which has been impact tested to ensure maximum safety.



GLAZING OPTIONS

Visilux units are available with either 6mm, 10mm and 19mm Trident toughened glass to both outer faces. Trident glass is a high quality modified toughened glass that is attack resistant and fire resistant and has been used in a wide range of projects across the UK.



BEAD OPTIONS

Visilux units can be supplied with moulded timber bead cassettes or stainless steel fascias that bolt fix together securing the panel in the door.



FIRE RATING

Visilux Platinum units are fire rated for both FD30 and FD60 doors and have undergone rigorous testing in both UK and European test laboratories.



DESIGN OPTIONS

In addition to there being three standard sizes available we also offer a bespoke size service which allows you to have Visilux panels to suit your aperture. As well as size options we also offer colour options or photos (see page 66 for details) for the vision bands and powder coating options (where metal fascias have been selected).



DUAL CONTROLS

Visilux units can be made to operate from both sides or just one side and to be used with a staff control keys or patient thumb turns. We offer either a hold open function or auto close function for the control which is available across the entire range.



SECURE KEY OPTION

Visilux panels are now available with the secure oval key option to make operation of the panel from the outside limited exclusively to staff only.

SQUARE PANELS

405 X 405MM PANEL SIZE
410 X 410MM CUT OUT



Code	Control Type
V4400	Key operation and knob turn
V4401	Key operation both sides
V4402	Knob turn both sides
V4403	Key operation only
V4404	Knob turn only

RECTANGLE PANELS

800 X 250MM PANEL SIZE
805 X 255 MM CUT OUT



Code	Control Type
V8400	Key operation and knob turn
V8401	Key operation both sides
V8402	Knob turn both sides
V8403	Key operation only
V8404	Knob turn only

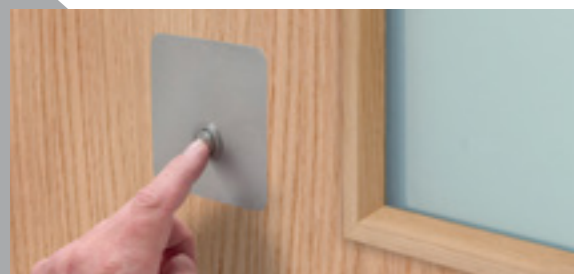
Design option codes, please add as required when specifying:

X Upgrade to 10mm toughened glass **M** Upgrade to stainless steel fascia **AC** Add Auto Close function **U** Ultra wide viewing stripe **FF** Flush Fit

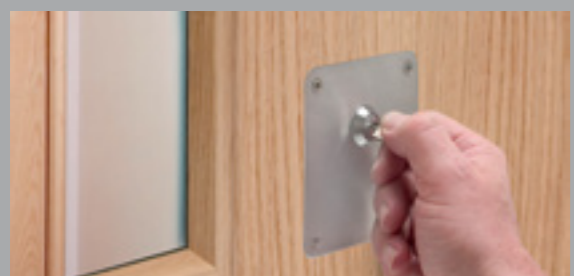
VISION PANELS:
VISILUX PLATINUM



The most modern vision panel available - the Visilux Platinum brings you latest technology in electronic switchable glazing. Operated by using the double action switch; staff and patients alike can enjoy instant privacy or vision without obstruction.

**PATIENT SIDE**

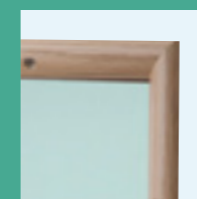
Stainless steel anti vandal push switch that works in conjunction with the staff key switch to give two way switching

**STAFF SIDE**

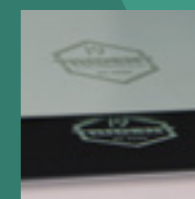
Security key switch that works in conjunction with the push switch to give two way switching



Metal fascia option

FEATURES & BENEFITS**SAFETY**

The soft edges of the glazing beads, and the shrouded patient push switch all help to ensure that self harm possibilities are reduced. All glazing used in Visilux platinum units is Trident safety toughened glass which has been impact tested to ensure maximum safety.

**GLAZING OPTIONS**

Visilux units are available with either 6mm or 10mm Trident toughened glass to both outer faces. Trident glass is a high quality modified toughened glass that is attack resistant and fire resistant and has been used in a wide range of projects across the UK.

**BEAD OPTIONS**

Visilux units can be supplied with moulded timber bead cassettes or stainless steel fascias that bolt together securing the panel in the door.

**FUNCTION OPTIONS**

Visilux Platinum units can be made to operate from both sides or just one side and to be used with either keys or push switches.

**ADVANCED TECHNOLOGY**

Visilux Platinum panels incorporate Lumex switchable glass which is a 13mm toughened glass panel incorporating a PDLC switchable interlayer. This is powered by 55v and requires power to be supplied to the door.

**FIRE RATING**

Visilux Platinum units are fire rated for both FD30 and FD60 doors and have undergone rigorous testing in both UK and European test laboratories.

SQUARE PANELS

405 X 405MM PANEL SIZE
410 X 410MM CUT OUT



Code	Control Type
VP4400	Key operation and push button
VP4400	Key operation both sides
VP4402	Push button both sides
VP4403	Key operation only
VP4404	Push button only

RECTANGLE PANELS

800 X 250MM PANEL SIZE
805 X 255MM CUT OUT



Code	Control Type
VP8400	Key operation and push button
VP8401	Key operation both sides
VP8402	Push button both sides
VP8403	Key operation only
VP8404	Push button only

WIRING PACK

Transformer, 3 meters of cable and power transfer device for taking the power through the hinge side of the door.

CODE VPTP

Design option codes, please add as required when specifying; M Upgrade to stainless steel fascia **L** Finger jointed timber bead surround

VISION PANELS:

PICTURE PANELS

The Picture Panel option allows you to personalise your Duralux or Visilux panels with a photograph or image as the band colour. This option has been seen as a way of softening the ward environment and giving the service user a way of identifying their room.

HOW THE SYSTEM WORKS

1. Select your images –we have a number of images to choose from or you can provide your own. Picture libraries such as Shutterstock have a wide range of high resolution images to choose from.
2. We print your chosen picture which is then processed to be used in the vision panel manufacture.
3. We manufacture the panel ensuring the graphics line up giving you a perfect image that allows vision through it when the control is operated.



CASE STUDY

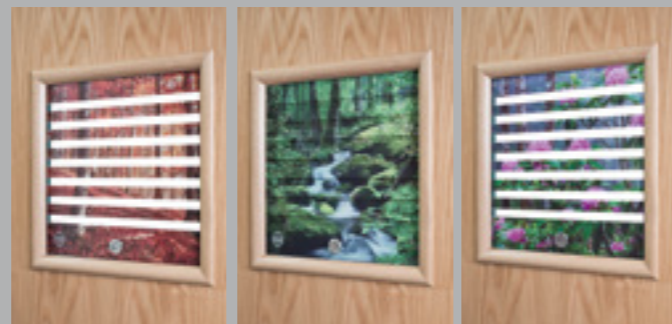
Client South Staffordshire & Shropshire Healthcare
NHS Foundation Trust

Location St Georges Hospital

Project Complete doorsets supplied

Architect IBI Nightingales

For this project the architect took advantage of our Picture Panel system and was able to effectively use this to enhance the environment of the ward creating a non institutional atmosphere.



VISION PANELS:

PYROLUX TIMBER PANELS

The attack resistant glazing system for 30 minute fire doors incorporating high strength 19mm Trident glass and moulded timber beads. This system provides a solution that is robust, fire resistant yet highly attractive giving a finishing touch to timber doorsets.



HIGH STRENGTH

19mm Trident attack resistant glass – tested to EN 356. The ultimate in safety yet also fire rated for FD30 doorsets when used with a timber bead.



MOULDED TIMBER BEAD

Hardwood moulded anti ligature beading is the signature sign of the Pyrolux timber range and it sets off the panel perfectly providing safety, security and an overall softened look.



SIZE OPTIONS

5 Standard sizes are available with bespoke sizes to order. Whatever your requirement the Pyrolux timber range is flexible and available on short lead times.

Pyrolux timber panels supplied as part of a complete doorset package'.



PYROLUX



SIZE OPTIONS

AVAILABLE IN FIVE CONFIGURATIONS TO SUIT MOST APPLICATIONS FOR EITHER 44MM OR 54MM THICK DOORS.

Size	Code	Dimensions
SIZE A	P8050TB	730 x 430mm Glass Size 755 x 455mm Outside edge of bead
SIZE B	P8020TB	730 x 130mm Glass Size 755 x 155mm Outside edge of bead
SIZE C	P5050TB	430 x 430mm Glass Size 555 x 555mm Outside edge of bead
SIZE D	P5020TB	430 x 130mm Glass Size 455 x 155mm Outside edge of bead
SIZE E	P1330TB	1300 x 250mm Glass Size 1390 x 340mm Outside edge of bead

VISION PANELS:

PYROLUX VISION PANELS

The Pyrolux range of vision panels combines high strength glazing (two layers of Trident 19mm attack resistant fire glass) with a durable bolt fixed stainless steel surround.

Designed for use in challenging healthcare environments, these panels have been manufactured to the highest standards to give lasting satisfaction in terms of durability and performance.



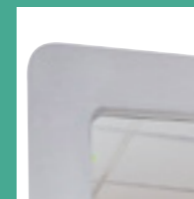
CASE STUDY

Client Derbyshire NHS Foundation Trust
Location Radbourne Unit
Project Complete doorsets

Large Pyrolux units were selected for the corridor doors in this project as they offered a robust solution that allowed a large visible area and were also suitable for FD60 doorsets. For this project the client chose to have the fascias powder coated to match other surfaces.



FEATURES & BENEFITS



FIRE RATED

Tested as extra large sizes (1300 x 500mm) in both 30 minute and 1 hour doorsets the Pyrolux panel can be safely used in fire resistant doorsets in any of the configurations below.



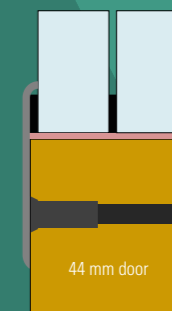
HIGH STRENGTH GLAZING

The new Pyrolux unit now comprises of two layers of Trident 19mm modified toughened attack resistant glass. This remarkable glass has achieved the EN356 accreditation which involves steel balls being dropped from height to test its impact resistance.



SAFETY

The new moulded stainless steel fascia is a bolt fixed design that provides a greater resistance to ligature attachment and self harm possibilities.



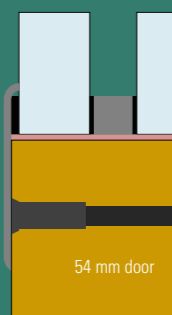
Trident 19mm Glass

2mm Intumescent spacers

2mm Intumescent liner

Bolt fixed stainless steel fascia

10 x 10mm stainless steel dividing spacer with 1mm intumescent



Trident 19mm Glass

2mm Intumescent spacers

2mm Intumescent liner

Bolt fixed stainless steel fascia

10 x 10mm Stainless steel spacing frame

Available to suit both 44 and 54mm doors.

SIZE OPTIONS

Available in five configurations to suit most applications for either 44mm or 54mm thick doors.

Size	Code	Dimensions	Size	Code	Dimensions
SIZE A	P8050	730 x 430mm (glass size), 800 x 500mm (fascia size)	SIZE C	P5050	430 x 430mm (glass size) 500 x 500mm (fascia size)
SIZE B	P8020	730 x 130mm (glass size), 800 x 200mm (fascia size)	SIZE D	P5020	430 x 130mm (glass size) 500 x 200mm (fascia size)
			SIZE E	P1330	1300 x 250mm (glass size) 1390 x 340mm (fascia size)

SINGLE DOOR CONFIGURATIONS



A & C B & D E

DOUBLE DOOR CONFIGURATIONS



A & C B & D E A, C & B, D

Please note: the above codes are for 44mm doors. For the 54mm doors please replace the end '0' with a '5'. For example P8050 becomes P8055.

VISION PANELS:

INTEGRAL BLIND UNITS

Privilux integral blind units are sealed glazed casements that have an integral blind that can be operated using magnetic controls.



Large panels used in doors



Extra large units used in sliding doors.



DISCRETE MAGNETIC CONTROLS

Side mounted controls to adjust the blind on one side and raise and lower on the other side.



COLOUR OPTIONS

Available in 5 colour options for the blinds and surrounding frame.



SIZING

Minimum size is 300 x 300mm and the maximum is 2500 high x 1200 wide



EASY TO INSTALL

Simply fixed in place using glazing beads or a proprietary glazing system. Can be used in place of a standard sealed double glazed unit to provide exterior privacy.

DESIGN OPTIONS

Glass options

As standard the Privilux units are fitted with 4mm toughened glass both sides. Where a more robust solution is required we can offer different specifications to provide enhanced performance.

Colour Options

Available in 5 different shades to allow you to blend or contrast to surroundings. Frame colours are matched to the blind shade to create a totally bespoke look.

Control Options

Various options are available on the Privilux range and include:

- Raise and tilt
- Tilt only
- Tilt to both sides (not raise)

Uses

Privilux units are ideally suited to large screens in either wall units, doors or side panels next to the door. Privilux units can also be used as a partitioning system by simply using a top and bottom track.

VISION PANELS:

PANORAMA WALL PANELS

Panorama wall panels are secure glazed units that can be fitted between staff and patient areas to provide a wide field of vision and create a sense of light and space.



PATIENT SIDE

Stainless steel fascia to the patient side

HARDWOOD TIMBER LINING

Manufactured from hardwood to suit the exact width of the wall thickness.

STAINLESS STEEL ONE PART FASCIA

A seamless stainless steel fascia is used to the patient side and secured with security fixings

EASY TO INSTALL

Once placed in position correctly the panel can be fixed directly in the wall using suitable fixings. The stainless steel fascia is fixed last holding in the final glazing panel ensuring an almost flush finish to the patient side.

BESPOKE SIZES

Panorama panels can be made to any size from 300 x 300mm up to 2400 x 1200mm (some glazing options have size limitations).



STAFF SIDE

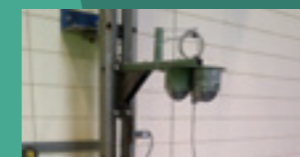
DESIGN OPTIONS

TRIDENT 19MM GLASS

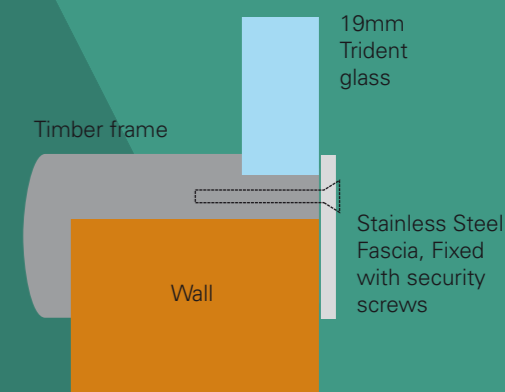
The most common option is the single piece of 19mm Trident attack resistant modified toughened glass. This has been tested to BSEN 356 for attack resistance. This is fitted in to the rebate on the patient side and the stainless steel fascia is fixed in place holding the glass securely.



19mm Trident attack resistant glass



BSEN 356 steel ball drop test

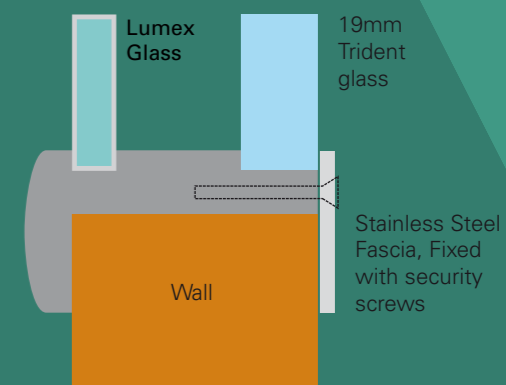


TRIDENT 19MM GLASS & LUMEX SWITCHABLE GLASS

This is an excellent solution where privacy is an issue as observation can be made quickly, discretely and silently. Once the panel is switched the whole area is immediately visible making it ideal for seclusion areas.



Small switchable unit looking in to an ensuite area

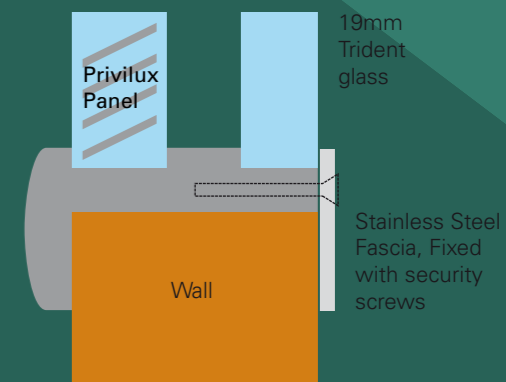


TRIDENT 19MM GLASS & PRIVILUX INTEGRAL BLIND UNIT

This solution allows staff to make observation discretely and simply by operating the sliding control at the edge of the unit. This tilts the blinds and provides a good field of vision in to the patient area.



Privilux integral blind units are available in a range of colour options



VISION PANELS:

DOOR VIEWERS

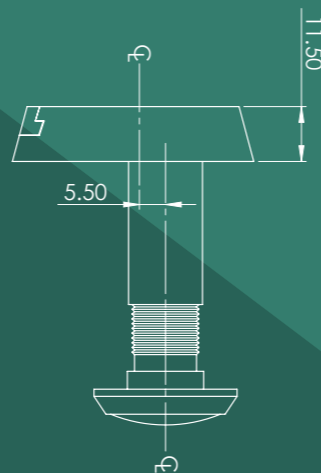
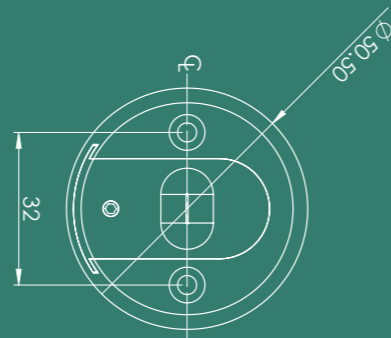
The Logica door viewer is an unobtrusive product that allows 180° vision into patient areas. This is supplied with a locking stainless steel cover to restrict vision to staff only.



DOOR VIEWERS

Logica lockable door viewers are easy to install items that provide an excellent wide view into patient areas with minimal disturbance or interruption to the door.

CODE: LG109



SECTION 9

WASHROOM

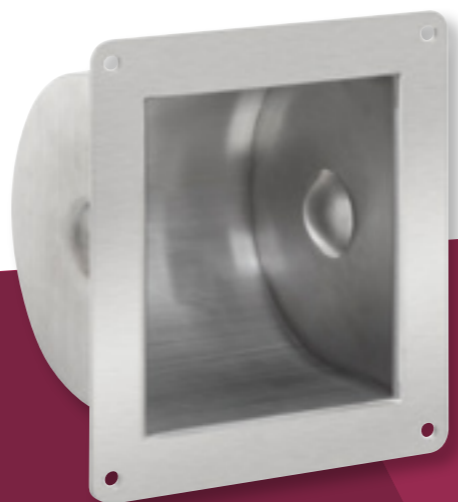
| 76 TOILET ROLL HOLDER | 82 GRAB RAIL | 83 DROP RAIL



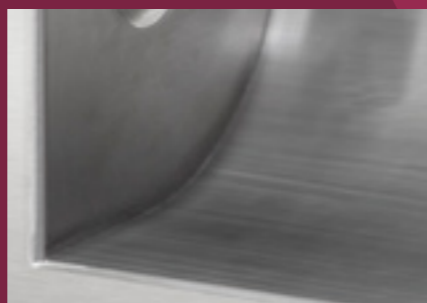
WASHROOM PRODUCTS

TOILET ROLL HOLDER

Stainless steel recessed toilet roll holder for secure washrooms.



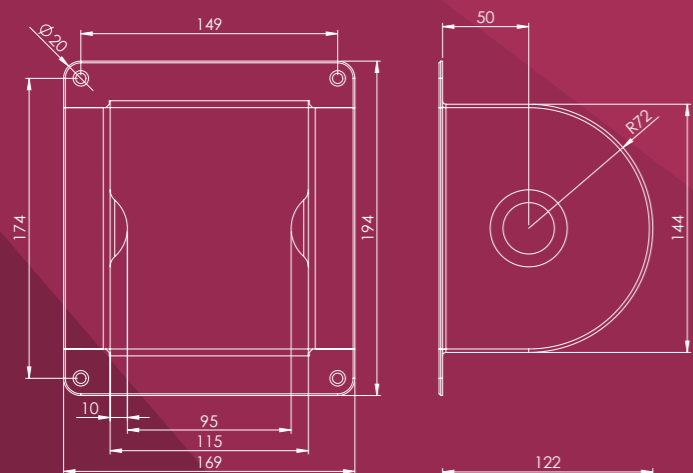
Provides effective means of holding and dispensing.



RECESSED TOILET ROLL HOLDER

The Logica recessed toilet roll holder provides a secure and effective means of dispensing standard toilet rolls whilst being anti-ligature by design. Manufactured from 316 grade stainless steel for maximum corrosion resistance and secured with anti-tamper fixings.

CODE: LG13



2

FINISHING

All Logica washroom items should be finished with anti pick mastic to all external edges for better safety



WASHROOM PRODUCTS

TOILET TISSUE DISPENSER

Stainless steel toilet tissue dispenser that provides a safe and effective means of dispensing yet is anti ligature by design.



Internal cassette drops downwards for easy refilling

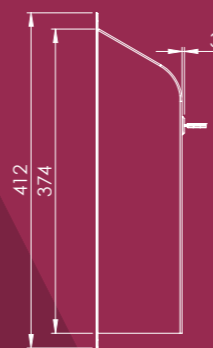
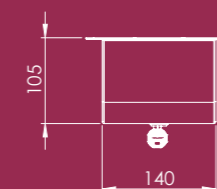


Secure lock keyed alike across the Logica washroom range

TOILET TISSUE DISPENSER

The Logica toilet tissue dispenser is a secure locking unit that is easy to install and maintain. Made from 316 grade stainless steel it is highly durable against corrosion and abuse. Front polycarbonate viewing window shows paper level yet does not allow a ligature attachment. Anti ligature by design it has a shaped top with smooth edges making it suitable for the most challenging environments.

CODE: LG01



FINISHING

All Logica washroom items should be finished with anti pick mastic to all external edges for better safety



WASHROOM PRODUCTS

RECESSED TOILET TISSUE DISPENSER

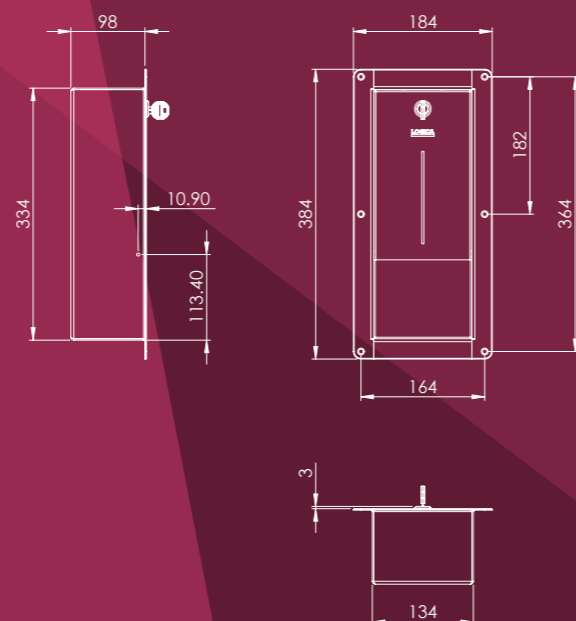
Stainless steel recessed toilet tissue dispenser that provides the ultimate solution for anti-ligature washrooms. Flush fitting and well styled it provides the perfect combination when creating non institutional interiors.



Softened edges for safety



Secure lock keyed alike across the Logica washroom range



RECESSED TOILET TISSUE DISPENSER

The Logica recessed toilet tissue dispenser provides a flush fitting solution to housing and dispensing toilet tissue. Front polycarbonate viewing window shows paper level yet does not allow a ligature attachment. Manufactured from 316 grade stainless steel for maximum durability and formed with smooth edges for extra safety it is suitable for challenging environments and areas of risk.

CODE: LG10

WASHROOM PRODUCTS

PAPER TOWEL DISPENSER

Stainless steel paper towel dispenser that provides a safe and effective means of dispensing paper towels yet is anti ligature by design.



Internal cassette drops downwards for easy refilling

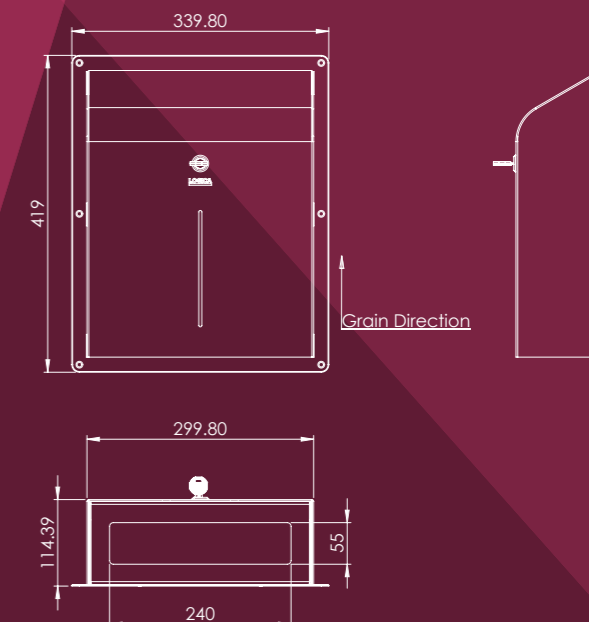


Secure lock keyed alike across the Logica washroom range

PAPER TOWEL DISPENSER

The Logica paper towel dispenser is a secure locking unit that has been designed for challenging environments with both the staff and patients in mind. Made from 316 grade stainless steel it is highly durable against corrosion and abuse. Front polycarbonate viewing window shows paper level yet does not allow a ligature attachment. Anti ligature by design it has a shaped top with smooth edges making it suitable for the most challenging environments.

CODE: LG02



WASHROOM PRODUCTS

RECESSED PAPER TOWEL DISPENSER

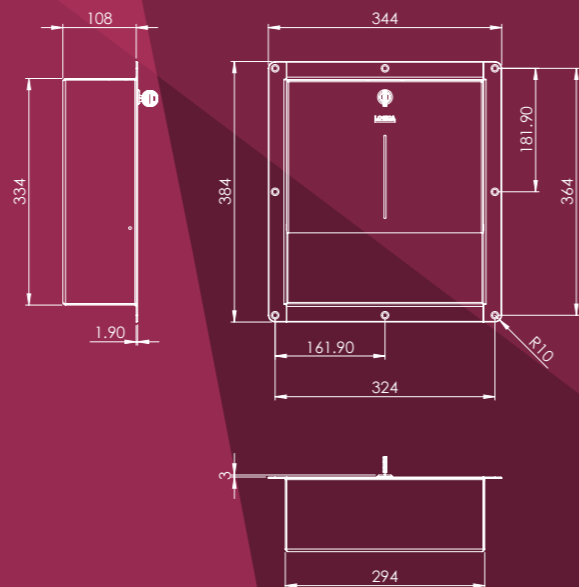
Stainless steel recessed paper towel dispenser that provides the ultimate means of dispensing paper towels yet is anti-ligature by design. Recessed and well styled it provides a modern solution to meet the need in challenging environments.



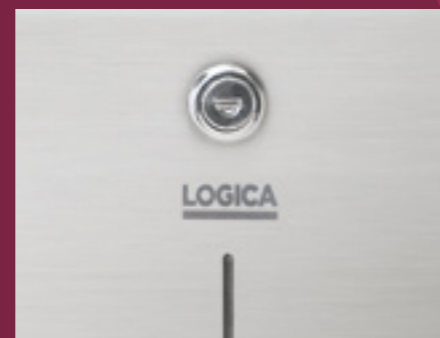
RECESSED PAPER TOWEL DISPENSER

The Logica recessed paper towel dispenser provides a flush fitting solution to housing and dispensing paper towels. Made from 316 grade stainless steel it is highly durable against corrosion and against abuse. Front polycarbonate viewing window shows paper level yet does not allow a ligature attachment. Anti ligature by design it is flush fitting with smooth edges making it suitable for the most challenging environments.

CODE: LG11



Front casing drops forward for easy refilling

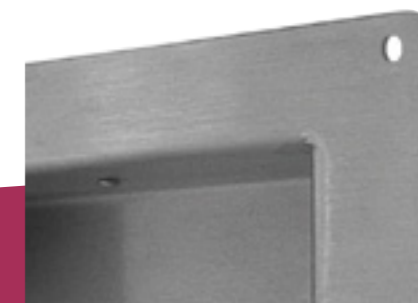


Secure lock keyed alike across the Logica washroom range

WASHROOM PRODUCTS

RECESSED WASHROOM SHELF

Stainless steel recessed shelf for use in secure washrooms. Self-draining base makes it suitable for items such as soap.

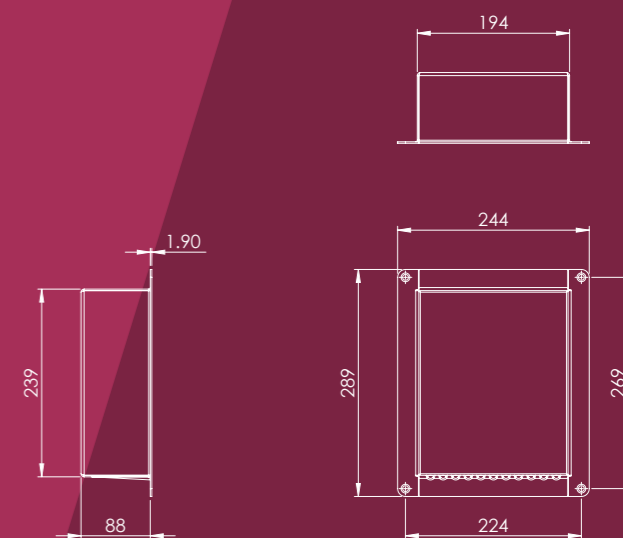


Radiused corners for extra safety

RECESSED WASHROOM SHELF

The Logica recessed washroom shelf provides a flush fitting solution to storing items such as bars of soap and other similar items. Manufactured from 316 grade stainless steel it is highly durable against corrosion and abuse. Designed with a self draining base and smooth edges makes it highly suitable for use in challenging situations.

CODE: LG12



CASE STUDY

Client Mersey Care NHS Trust
Location Clock View unit
Project Specialist hatches and washroom items as part of the new build project

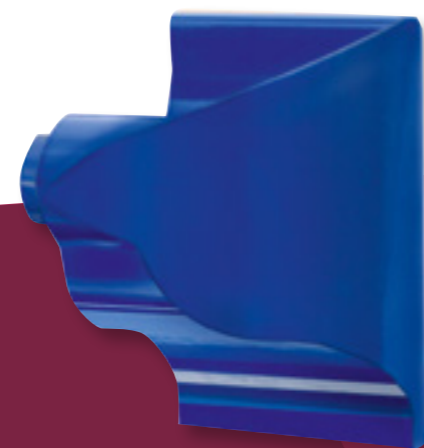
The Logica Safe Serve food hatch was installed in the seclusion suites at the new Clock View unit as a safe means of passing food through to service users. This robust stainless steel unit was selected for its durability and its easy clean features. Being manufactured from marine grade 316 Stainless Steel and using plastic bearings and washers for its rotation action it can be cleaned without risk of impairing the functionality.



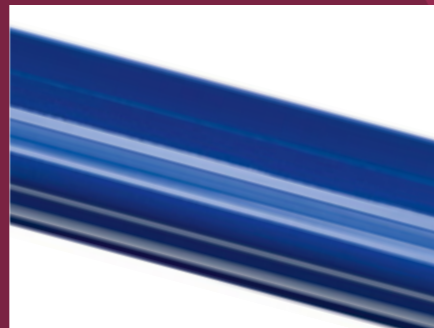
WASHROOM PRODUCTS

DOCUMENT M GRAB RAIL

The Logica anti ligature grab rail has been designed specifically for disabled washrooms and conforms to DDA regulations. Can be used either vertically or at 15°.



Closed end cap for effective ligature resistance



Handrail fitted at 15° to allow water to run off.

GRAB RAILS

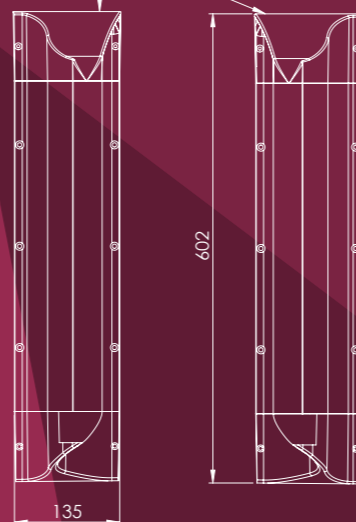
Anti-Ligature grab rails for use in DDA washrooms. These have been designed to resist ligature attachment yet to comply with DDA regulations on grab rail design in terms of grip area and distance between handrail and wall. Available in left and right hand options. The left hand grab rails have a closed cap on the right and an open cap on the left. The right hand grab rails have a closed cap on the left and an open cap on the right.

CODE: LG250 LEFT HAND GRAB RAIL
LG251 RIGHT HAND GRAB RAIL

HANDING OF GRAB RAILS.

Handing is determined by the position of the open end cap. If the grab rail is held horizontally and it has an open right end and a closed left end it is a right hand grab rail. In the picture above where two grab rails are positioned either side of the mirror, the one nearest is a left hand grab rail and the one further away is a right hand grab rail.

Can also be installed vertically with closed end cap at top.



WASHROOM PRODUCTS

DOCUMENT M DROP RAIL

The Logica anti ligature drop rail has been designed to offer support beside a WC and complies with the latest DDA regulations. When locked in its upright position it is totally shrouded by the surround making it ideal for anti-ligature washrooms.

DROP RAILS

Anti-Ligature drop rails are used beside WC's and offer excellent support. These are locked back in the upright position in the shroud when not in use. The locking mechanism is operated by an 8mm square key which is common across Logica products.

CODE: LG255



CASE STUDY

Client Mersey Care NHS Foundation Trust
Location Clock View
Project Washroom items, secure hatches, seclusion doorsets

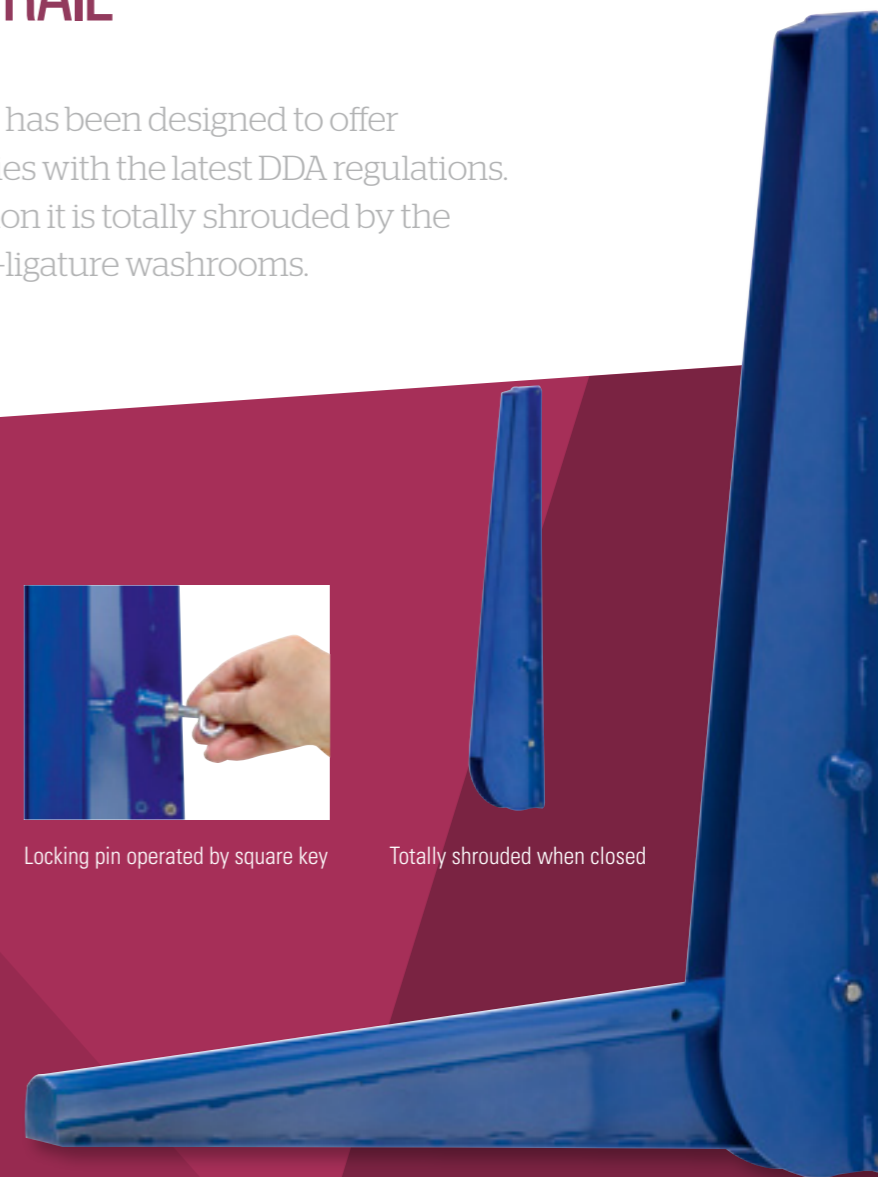
The Logica drop rail was installed on the Clock View project at the Walton Hospital. This was chosen as being the only anti ligature rail (when locked) available that also offers excellent support for those with disability.



Locking pin operated by square key



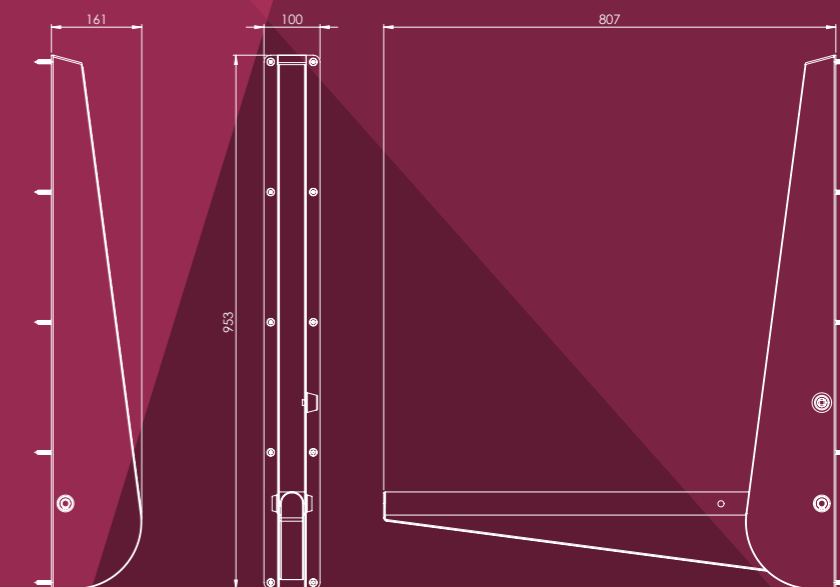
Totally shrouded when closed



Side Elevation (Closed / Safe Position)

Front Profile (Open)

Side Elevation (Open)



REQUEST A COPY OF THE HUNTER BROCHURE NOW

Hunter integrated solutions is the doorset division of the Kingsway Group - specialists in the design and manufacture of complete certified doorsets for challenging mental health environments

“If only all our door suppliers were as reliable as you.”

Senior Site Manager
Kier Construction Ltd



WHY BUY HUNTER DOORSETS?

GUIDANCE & ASSISTANCE

Full support, guidance and assistance are offered from our team from the start and drawings are issued for each door type to ensure nothing is missed.

We realise it's the details that count in a mental health project – lean on our expertise!

MANUFACTURED SPECIFICALLY FOR THE MENTAL HEALTH MARKET.

Hunter Doorsets are manufactured specifically for the mental health market and every effort has been made to ensure they are robust, ligature resistant and high performance.

We choose superior materials when creating our doorsets to ensure better results – everytime!

SUPPLIED FULLY FITTED WITH ANTI LIGATURE FITTINGS.

Hunter Doorsets are supplied pre-fitted with our own range of anti ligature fittings which covers Logica hardware and Duralux, Visilux and Pyrolux vision panels. This means they leave the factory functioning correctly and fitted to perfection ready for site installation.

This saves you time, ensures quality and guarantees the correct functioning of the components – worth real value

CERTIFIED & TESTED

Extensive testing has been carried out in terms of fire resistance, cycle testing, ligature testing, and attack resistance and the result is that our doorsets are now able to be supplied as a certified unit.

Assurance of performance and supporting documentation provides the peace of mind you need for a successful project.

INDEX

A

Anti barricade products	31-36
Ancillary products	45 – 50

B

Bedroom Locksets	9-23
Butt hinges	42

C

Classic Grip handle	26
Coat hooks	48
Communal doorsets	14-17
Continuous hinges	43
Cupped pulled handles	29

D

Door Closers	37-40
Door Stops	49
Door viewers	74
Drop rails	83
Duralux vision panels	58-61

E

Easy Grip handles	28
Emergency release devices	36
En Suite Lockset	20-21
Ergogrip handles	27
Escutcheons	46

F

Floor Springs	40
Food hatch	56

G

Grab rails	82
------------	----

H

Handles	25-30
Handrail	82
Hinges and pivots	41-44

K

Kick plates	46
-------------	----

L

Lumex switchable glass	60,64,73
Locksets	9-24

M

Medicine hatch	52
----------------	----

N

Nightlatch lockcase	12,16
---------------------	-------

O

Observation products	57 – 74
----------------------	---------

P

Paper Towel dispenser	79,80
Pivot Sets	44
Push in door stop	36
Push plates	46
Pyrolux vision panels	67-69
Panorama wall panels	72-73

R

Recessed paper towel dispenser	80
Recessed pull handles	29
Recessed side closer	38
Recessed toilet tissue dispenser	78
Recessed top closers	39
Recessed washroom shelf	81
Rollerbolt lockcase	10,14,18,20

S

Safe Serve food hatch	56
Safe Serve medicine hatch	52
Safe Serve vision hatch	53
Service hatches	51-56
Small pull handles	30
Swing Stop	34,35

T

Testing	4-5
Toilet roll holder	76
Toilet Tissue dispenser	77,78

V

Visilux vision panels	62-65
Vision hatch	53
Vision panels	57-74

W

Washroom lockset	18-19
Washroom products	75-83

Aquarius Ward, South West London & St Georges NHS Foundation Trust.
Hunter doorsets supplied with Logica anti-ligature and anti-barricade products, factory fitted for ease of installation ensuring an excellent finish.





Kingsway Group
UK & European Sales
Kimberley Business Park
Blackness Lane
Keston
Kent
BR2 6HL
United Kingdom

Tel: +44(0)1959.577.727
Email: sales@kingswaygroup.co.uk