



Kent Wayfinding Lectern



Kent Wayfinding Lectern KWFL 1207

Description

The Kent Wayfinding lectern KWFL1207 is constructed from Grade 316L Stainless Steel with 10mm Toughened Glass Panels covering a mounted vinyl poster printed with UV cured inks. The signs were designed and manufactured for the 'Norman Way' Section of the Wexford Trails, this scheme in turn is under the umbrella brand of "Ireland's Ancient East". The signs comes with a RAL9007 Powder Coated Grade 304 Stainless finish as standard. It measures 1207mm High x 1000mm wide

Wexford County Council matched these signs with disabled friendly seats and with bike racks all powder coated the same RAL9007 and unified with the Norman Way logos.

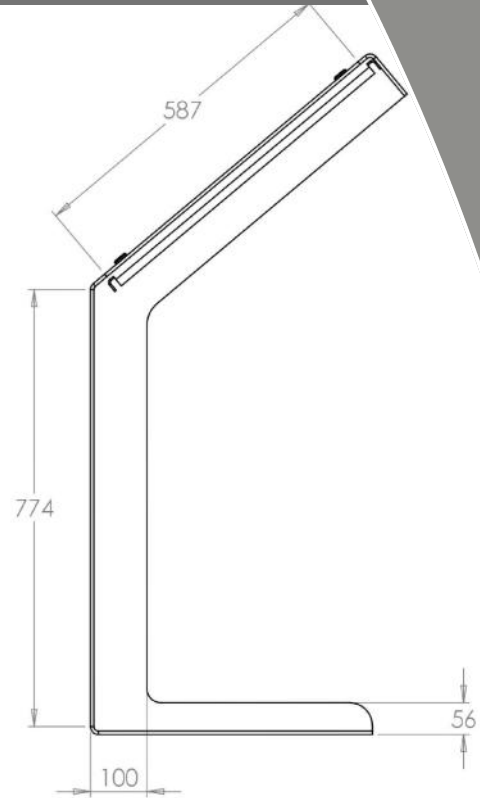
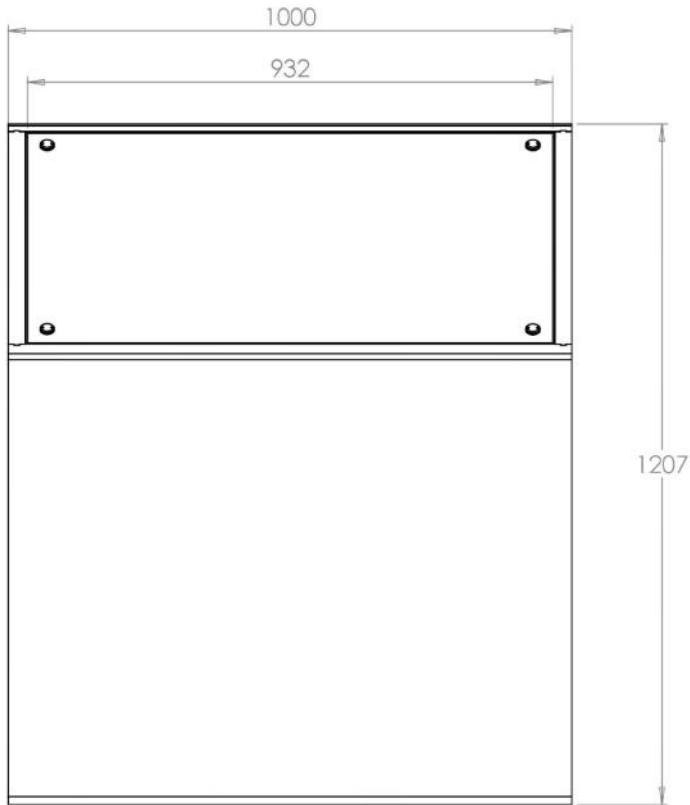
Another version of these Lecterns can be seen along the Eurovelo Cycle route

Features:

- 304 Stainless Steel
- Powder Coated
- 10mm Toughened Glass Panels
- 1207mm x 1000mm wide



Kent Wayfinding Lectern KWFL 1207



Product Dimensions:

Reference	Height	Width	Thickness
Kent Wayfinding Lectern KWFL 1207	1207mm	1000mm	100mm



Kent Wayfinding Lectern KWFL 1207

Overview

The Kent Wayfinding lectern KWFL1207 is constructed from Grade 316L Stainless Steel with 10mm Toughened Glass Panels covering a mounted vinyl poster printed with UV cured inks. The signs were designed and manufactured for the 'Norman Way' Section of the Wexford Trails, this scheme in turn is under the umbrella brand of "Ireland's Ancient East". The signs comes with a RAL9007 Powder Coated Grade 304 Stainless finish as standard. It measures 1207mm High x 1000mm wide

Maintenance

How often?

For an area that receives regular rainfall that washes away the build up of salt deposits, cleaning should be done once a year. If rainfall cannot get to certain areas, but still salt and pollution deposits can blow onto it (e.g. the underside of a tram shelter) then cleaning should be done 1-2 times a year in urban environments and 3-4 times a year in marine environments. In a particularly severe environment with pollution and salt deposits and wind with little rainfall, cleaning should be done 4-12 times per year.

Judge your cleaning regime by the nearby glass panels or window cleaning and clean the stainless as often as the glass nearby.

How do I do it?

For regular cleaning, and for a preventative regime, a simple wipe down by soft cloth or sponge with a mild detergent is enough (e.g. 5% dilution of wash-up liquid). Rinse off with de-ionised water or bottled drinking water is fine if this is not readily available. Rub dry with a clean dry cloth rather than letting the product drip dry.

If staining does not disappear, switch the soft cloth to a pad of Scotchbrite™ from 3M™. Use the soapy water with Scotchbrite™ vigorously on areas that are unpolished or not architecturally important. For polished areas of products with a grain (e.g. Satin Finish 320 Grit Polish), rub gently forwards and backwards only in the direction of the grain direction so proceed with caution if this is an architecturally important feature.

Again – rinse with de-ionised water and dry with a soft cloth. For heavier staining or contamination by iron products Kent recommend Avesta cleaning chemicals. Cleaner Avesta 401™ can be used instead of the mild detergent as above. Avesta 420™ Fingerprint remover is a good cleaner to for areas prone to public fingerprints – it must be sprayed on and rubbed in while wet.

Pickling Gel Avesta 130™ (hazardous) and Passivator Avesta 630™ can be used for large, important features, but these should be discussed and a method statement is available from Kent Stainless for their use. This work can be sub-contracted to Mister Stainless™ in Ireland and Edimex™ in Dubai.

Visible Flange:

- Ensure that the surface to which the stand is mounted is sufficiently strong.
- Position the pole in the correct location. Mark the holes and drill into the surface.
- Place the pole directly over the holes and then fix the pole to the surface using M12 bolts.

Buried Flange:

- Cast a foundation with a minimum dimension of L350 x W350 x D350mm below the surface.
- Once concrete is set follow steps 1-3 as per flange detail above.
- Fill hole with grout and replace slabs to finish of the pole

Cast In:

- Remove pavement and excavate a hole to minimum dimensions of L350 x W350 x D350mm.
- Position your pole in the correct position ensuring correct height and then prop the stand securely.
- Fill the hole with concrete up to the level of the underside of the pavement ensuring a good smooth surface finish..
- Remove props, replace the paving slabs, and ensure that they are well bedded in



Kent Wayfinding Lectern KWFL 1207

Product Options:

Specify:

Kent Wayfinding Lectern KWFL 1207; 1207mm x 1000mm; 3mm Wall Thickness; Grade 304L Stainless Steel; Powder Coated; Cast In Flange.

Grade of Steel:

- Grade 316L
- Grade 304L

Product Finish

- Bright Satin
- Satin Finish 320 Grit
- Shot Peened
- Bright Peened
- Cold Rolled Electropolished
- Powder Coated

Flange

- Visible Flange
- Buried Flange



