

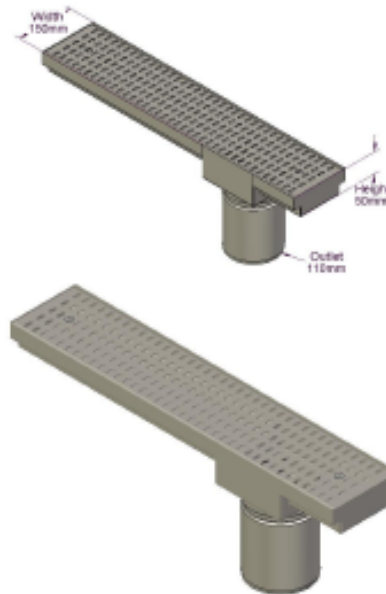
Balcony Channel - Shallow Depth



Tiled Floor ✓ Epoxy Resin Covering ✓
Concrete Floor ✓ Paving ✓

Channel for frequent & congested pedestrian traffic

- Patios
- Concourse
- Congested pedestrian areas
- Plaza
- Stadium



Ref	Height	Width	Outlet
KBC150	50	150	110

Specification Clause Options	Please select
Stainless Grade	304 / 316
50mm Side Inlets	Qty 1 / 2 / 3 / 4
Lock-Down Grating	<input type="checkbox"/>
Increased Height (Flow Rate)	<input type="checkbox"/>
Turnout edge profile	
Side Perforations	
Other - please mark here	

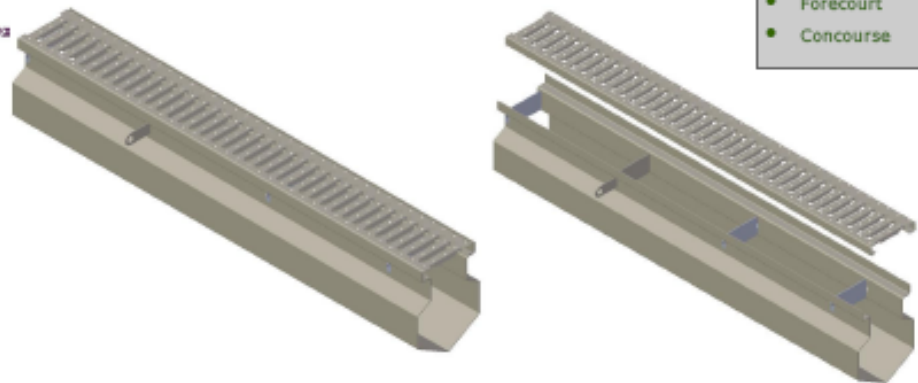
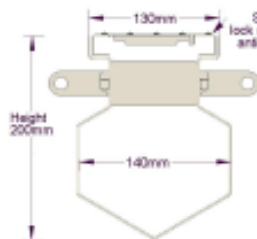
Precinct Channel



Tiled Floor ✓ Epoxy Resin Covering ✓
Concrete Floor ✓ Paving ✓

Channel for areas where direct access is required to channel body for cleaning

- Streetscapes
- Precincts
- Commercial
- Forecourt
- Concourse



Ref	Height	Body Width	Grating Width
KPC130	200	140	130

Specification Clause Options	Please select
Stainless Grade	304 / 316
50mm Side Inlets	Qty 1 / 2 / 3 / 4
Increased Height (Flow Rate)	<input type="checkbox"/>
Other - please mark here	

Special Loading Requirements
Wheel Diameter ____mm
Solid Pneumatic
Weight of vehicle inc load ____
Special Flow Rate Requirements
____ l/s

Specification Clause - Delete or amend underlined> words as appropriate

The channels are to be KBC150 grade 304 stainless steel, as supplied by Kent Stainless Ltd.
UK Freephone 0800 376 8377. T: +353(0)53 914 3216. F: +353 (0)53 914 1802 E: info@kentstainless.com.
The channel will be complete with lock down grating and 2 No. 50mm inlets. (see specification clause options above).