

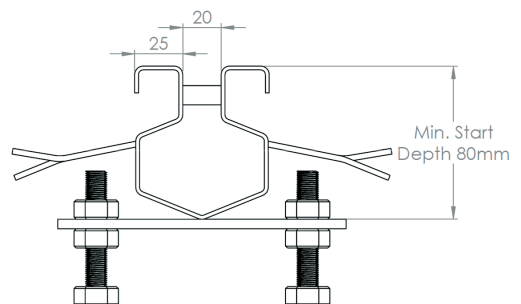
The KSHC20 channel is a hexagonal channel used mainly as a breakwater in factories. It is a strong channel and is still cost effective as it eliminates the need for a grating. It is extensively used in Food, Dairy, Beverage and Pharmaceutical factories and is customisable in a huge variety of features - In grade 304 stainless as standard, often used in grade 316 and size can be customised to suit any projects.

Useable also in civils projects when a centre bar is applied to reduce gaps to 6mm - but the Kent Precinct Channel would be a more suitable option.

Watertight connections are made with either flange & gasket joints, or preparation for site welding.

Features

- Grade 304 (1.4301) or 316 (1.4401) Stainless Steel to BS EN 10088
- 20mm wide Slot as standard with 25mm turnout and turndown each side
- 70mm Outside Edge to Outside Edge
- Used with either Trapped 110mm spigot outlet or 110mm or 160mm gully outlet
- 80mm start depth
- Concrete ties as standard
- Levelling Bolts as standard
- Polished top edge
- Suitable for Very Heavy Duty areas as well as pedestrian areas.
- Heelproof versions available (requires centre bar)
- Made to length – reduced joints
- Short lead times



Product Code	Min. Start Depth	Width	Turnout
KSHC20	80	20	25
KSHC50	80	50	25
KSHC75	80	75	25

Specify: Kent Standard Hex Channel KSHC20 ; mm length with Central Trapped Gully outlet; Grade 304 Stainless steel.

Amend underlined words to suit project

BS EN1433 Loading Class A15 / B125 / C250 / D400

This channel can be subjected to very heavy loads