



Cubicle system cronus



KEMMLIT For every demand

As market leader for washroom cubicles, KEMMLIT offers a variety of high class solutions ranging from cubicles and lockers to entire washrooms. Everything we do is based on a clear commitment to the highest quality regarding products,

our consulting service and installation. What sets us apart is qualified know-how, state-of-the-art manufacturing and innovative design. For these reasons we have received numerous prizes and awards within the last few years.

What can we do for you?

For further information:
www.kemmlit.de/cronus
Status 01/2018



reddot award 2016
winner



product
design award
2012



cronus At a glance

KEMMLIT For every demand	2
cronus Cubicle system	4
cronus Sustainable	6
cronus Standard	7
cronus Support-optimised	10
cronus Changing cubicles	11
cronus Glass	14
cronus NR Details	15
cronus Fittings	18
cronus Planning aid	20
KEMMLIT Supplementary products	24
cronus Colour concept	25
YOUR KEMMLIT Project	26
KEMMLIT Our promise	27



kemmlit.de



cronus support-optimised with recessed supporting legs, in cappuccino 1117

cronus Cubicle system

cronus is the cubicle system which unites design, and robustness with flexibility. Door and panel elements consist of 13 mm thick water-resistant solid grade (HPL) laminate panels with straight-lined profiles made of satin anodised aluminium. In addition to the coloured decorative layer a special overlay protects from wear, and abrasions as well as scratches. **cronus** is suitable for wet, humid and dry areas. Due to the intelligent construction

cronus can be utilised according to the individual project requirements. Therefore **cronus** not only can be implemented as a WC cubicle system, but also as changing cubicle or shower separation in changing areas. All construction details are designed for high class appearance and years of failure-free functioning. A solid three-roller edge hinge made of high quality aluminium bolted six-times has been developed for **cronus**, which can

withstand the strongest of demands for years. All doors can be created optionally as self-closing or self-opening. The supporting legs made of aluminium with stainless steel floor plate and aluminium cover sleeves are continuously height adjustable for optimal alignment to inclining floors. As an alternative to solid grade laminated panels we offer the high-class **cronus** glass solution made of 12 mm toughened safety glass for front and side panels and 8 mm toughened



cronus glass with supporting legs and headrail in the front, in white green 6504

safety glass for partition panels and doors. cronus glass is ideal for discerning builders, designers and planer, who wish to combine the advantages of glass with the stability and longevity of cronus.



cronus meets the demands according to the DGNB

cronus Sustainable

cronus meets the demands according to the **DGNB** and not only contributes to sustainability, but also to your building certification: the Deutsche Gesellschaft für Nachhaltiges Bauen e.v. (German Society for Sustainable Building, registered society) is a certification system for sustainable and economically efficient building in Germany.

It serves the impartial description and evaluation of the sustainability of buildings and city districts. It is essential that the DGNB system never assesses single measures but always the overall performance of a building or city district. Furthermore KEMMLIT has been certified according to **DIN EN ISO 14001** and

thereby places emphasis on the area of environmental management. The ISO 14001 norm defines environmental management requirements, which enable a company to improve its environmental performance, fulfil legal and other obligations and reach environment objectives.

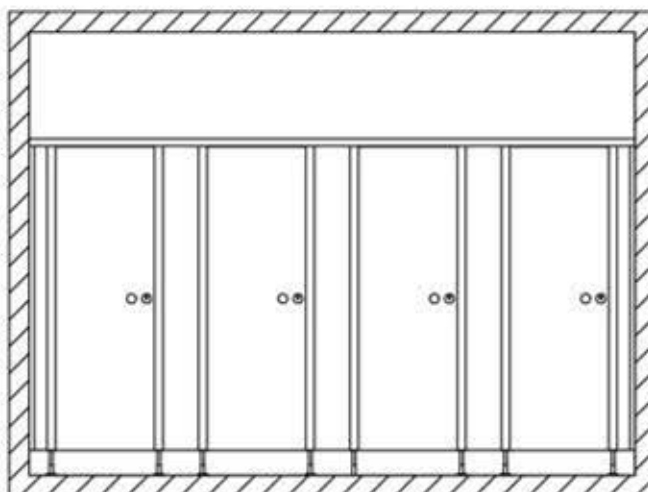




cronus with supp. legs and headrail in the front and with finger protection, in light grey 7208

cronus Standard

The standard solution for **cronus** is created with supporting legs and head rail situated at the front. The under panel clearance consists of 150 mm with an adjusting range of $-5/+25$ mm for the best possible alignment for inclining floors. The supporting legs consist of high-quality aluminium with an aluminium or nylon cover sleeve. They are connected via a force-lock to the floor and the aluminium frame construction.







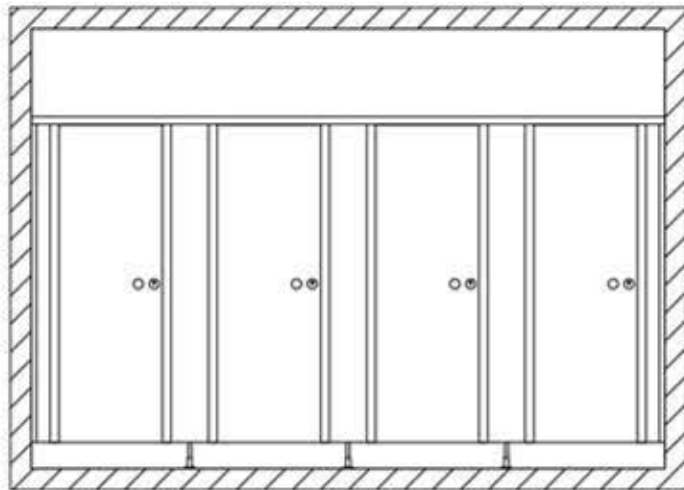
cronus support-optimised with recessed supp. legs, doors in lemon green 6715, panels in graphite 7808



cronus support-optimised with recessed supporting legs, in lemon green 6715

cronus Support-optimised

As an alternative **cronus** is available as a support-optimised construction, in which the supporting legs are situated in the partition panel. Invisible to the observer, visually perfect and easy to clean.





cronus changing cubicles with central locking and individual digital print

cronus Changing cubicles

cronus is ideally suitable for dry, humid or wet areas, as shower or changing cubicles as well as communal changing cubicles for outdoor and indoor swimming pools, leisure pools, spa and rehabilitation facilities, camp sites and fitness studios.

The changing cubicles are outfitted with bench seating and central locking system to close both cubicle doors. At customer request the cubicles can be additionally outfitted with mirrors, shelves or climb-over protection.





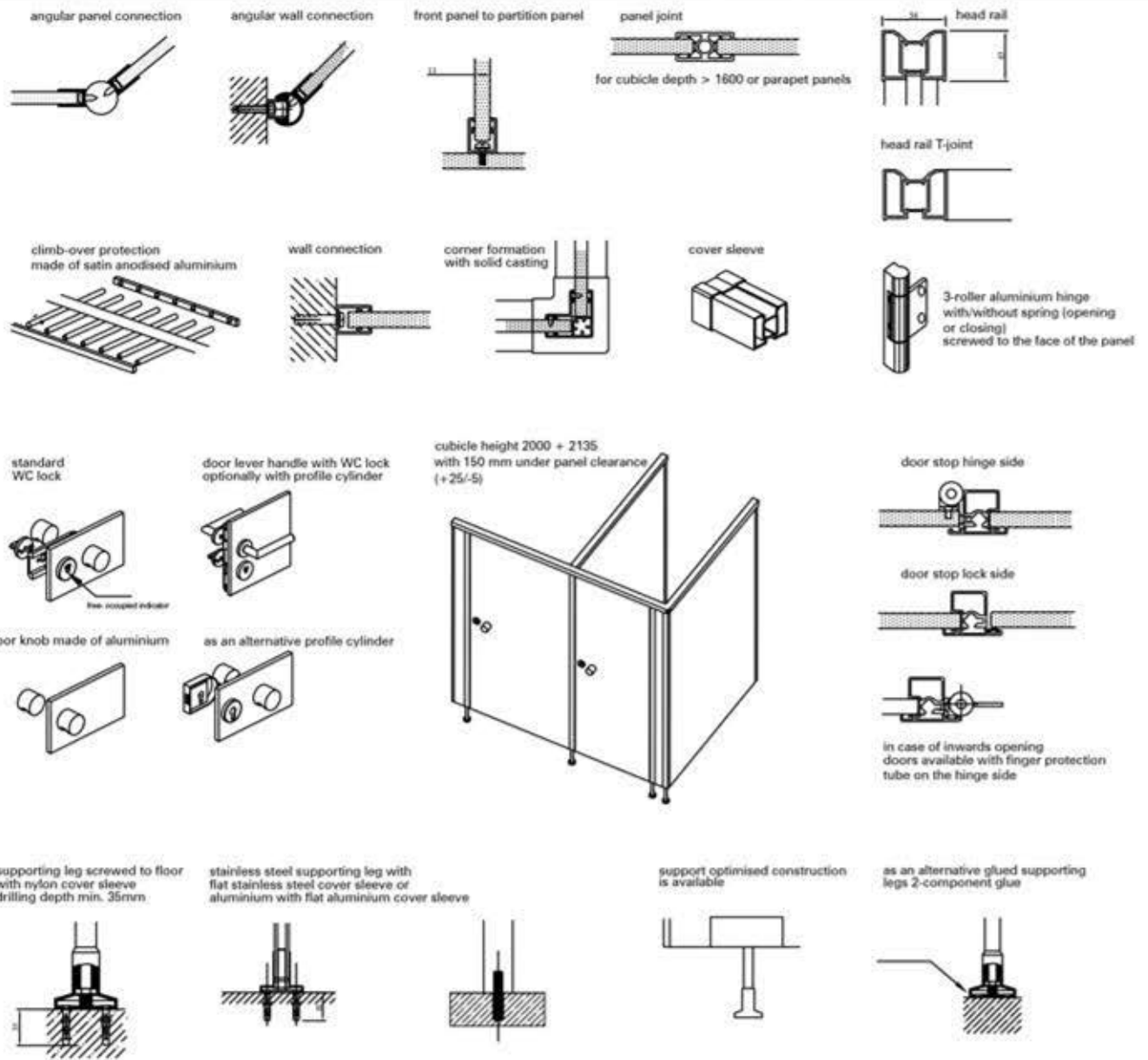


cronus Glas, in traffic white 9317

cronus Glass

The sophisticated cronus glass solution consists of 12 mm toughened safety glass front and side panels as well as 8 mm toughened safety glass partition panels and doors. The basis of this cubicle solution is the supporting construction made of satin anodised aluminium profiles which mount the cubicle elements.

The result is an extremely sturdy and long lasting partition system made of genuine glass. cronus glass can either be used as WC cubicles, changing cubicles or shower partitions. On request the option of combining the cubicle system with solid grade laminate HPL panels and glass elements is available.



cronus NR Details

In the developing stage particular attention was paid to the connection elements and details. The high quality aluminium system structure with the aesthetic profiles and linear connections guarantees a robust and solid cubicle system.



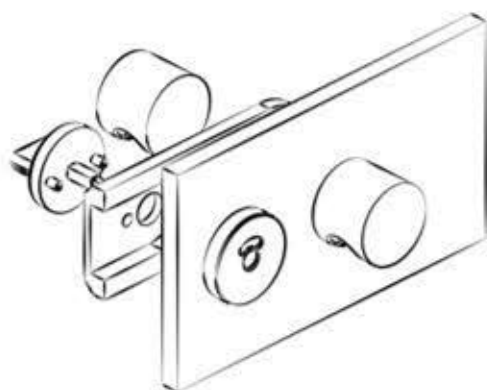
Door inner face: aluminium lock plate with FeelSafe indicator



Door outer face: aluminium door knob with indicator



3-roller edge hinge made of aluminium with stainless steel axis



cronus NR Details

Your advantages:

- ✓ Lock plate made of high quality aluminium
- ✓ WC lock made of metal, non-wearing and long-lasting
- ✓ The lock is very solid, non-flammable and corrosion-free
- ✓ Door knobs made of nylon, aluminium or stainless steel
- ✓ In addition our free-/occupied indicator on the inside of the cubicle ("FeelSafe") offers you a sense of security

Your advantages:

- ✓ The doors cannot be unhinged
- ✓ Maintenance-free bearing
- ✓ Vandal proof
- ✓ High stability
- ✓ Very long-lasting
- ✓ Non-flammable
- ✓ Self-closing or self-opening



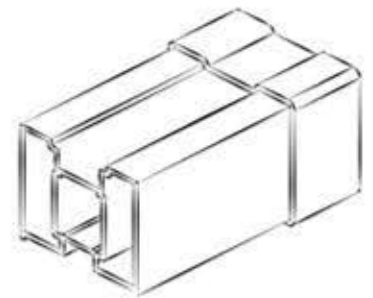
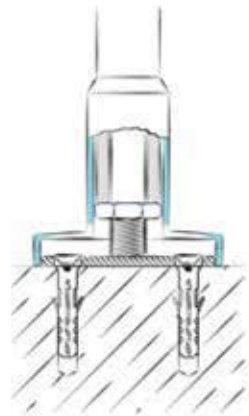
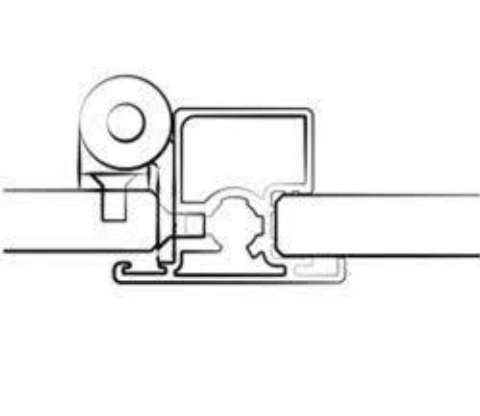
Finger protection with integrated hinges



Aluminium supporting leg in the front –
in a static connection with the profiles



Wall connection profile with cover sleeve
for custom-fit joint pattern



Your advantages:

- ✓ The doors cannot be unhinged
- ✓ Prevents fingers from being jammed
- ✓ Vandal proof, maintenance-free

Your advantages:

- ✓ With solid stainless steel floor plate
- ✓ Multiple screw connections
- ✓ Outstanding stability and longevity due to static connection with M12 screw connection
- ✓ 100 % corrosion free

Your advantages:

- ✓ Attractive design
- ✓ Lasting stability due to three-chamber profile
- ✓ No visible joints due to cover sleeve



Modesty screens made of glass with supporting leg

cronus Fittings

Modesty screens are being included more and more into washroom or WC areas. Next to hygiene, privacy in particular plays a large role. cronus also offers individual solutions for this. The modesty screens can be realised in special widths and heights, with or without supporting legs. With our extensive accessories,

such as paper roll holders or door stopper hooks the cronus cubicles can be outfitted completely. The accessories are available either in stainless steel, aluminium or nylon. Theft proof screw connections as well as harmonising colours and designs. The placement of the accessories is already considered within the overall planning.



cronus suspended, doors made of TSG in white green 6504, panels made of HPL in quartz grey 7708

Cubicle system	cronus NR (wet area)	Optional for a surcharge
Floor plan	<ul style="list-style-type: none"> • rows of cubicles and single cubicles, any room situation 	<ul style="list-style-type: none"> • support optimised option (recessed supporting legs in the partition, headrail above the front) • max. front panel width (axis) > 250 mm, beyond that a supporting leg is necessary • in case of gypsum plasterboard walls inlays or supporting legs are necessary • special solutions possible
Cubicle height	<ul style="list-style-type: none"> • 2000 mm incl. 150 mm under panel clearance 	<ul style="list-style-type: none"> • 2135 incl. 150 mm under panel clearance • any special height available (from 2135 mm with upper panel)
Under panel clearance	<ul style="list-style-type: none"> • Standard 150 mm, adjustable - 5 mm / + 25 	<ul style="list-style-type: none"> • special sizes available • without under panel clearance available (for anteroom partitions only)
Cubicle depth	<ul style="list-style-type: none"> • 1500 mm 	<ul style="list-style-type: none"> • special depths available (from 1600 mm with joint, head rail, H-profile and supporting legs in the partition panel)
Panel material	<ul style="list-style-type: none"> • 13 mm solid grade HPL laminate panel with decorative layer 	
Door material	<ul style="list-style-type: none"> • 13 mm solid grade HPL laminate panel with decorative layer 	<ul style="list-style-type: none"> • as an option 8 mm TSG-glass or • 30 mm aluminium composite element • max. door panel height 2100 mm
Door stop	<ul style="list-style-type: none"> • multi-chamber aluminium profile with continuous rubber buffer for noise reduction 	
Door width	<ul style="list-style-type: none"> • 570 mm / 640 mm / 750 mm / 980 mm (nominal size) 	<ul style="list-style-type: none"> • special widths available
Swinging doors		<ul style="list-style-type: none"> • 13 mm HPL with swing hinge made of stainless steel • size min. W x H 250 x 600 mm, max. W x H 600 x 1400 mm
Head rail	<ul style="list-style-type: none"> • three-chamber profile, size W x H 54 x 43 mm in a square design 	
Wall connection	<ul style="list-style-type: none"> • aluminium U-channel for straight wall connection 	
Corner connection for corner cubicles	<ul style="list-style-type: none"> • corner connection profile made of aluminium 	
Angular wall connection		<ul style="list-style-type: none"> • aluminium U-channel
Angular panel connection		<ul style="list-style-type: none"> • aluminium profiles with U-channel
Upper panel		<ul style="list-style-type: none"> • 13 mm HPL max. W x H 1800 x 650 mm, larger widths have to be joint
Upper glass panel		<ul style="list-style-type: none"> • aluminium frame with clear glass TSG 6 mm • optionally with acryl glass 5 mm, max W x H 1800 x 650 mm, larger widths with joint

Cubicle system	cronus NR (wet area)	Optional for a surcharge
Suspended construction		<ul style="list-style-type: none"> • bearer system made of aluminium powder-coated 50 x 150 mm (span width without support max. 3600 mm), • or bearer system made of aluminium powder-coated 50 x 200 mm (span width without support max. 4500 mm)
Supporting legs/ floor connection	<ul style="list-style-type: none"> • satin anodised aluminium supporting legs with stainless steel floor plate and aluminium or nylon cover sleeve, 150 mm under panel clearance, steplessly adjustable 	<ul style="list-style-type: none"> • stainless steel supporting leg with stainless steel cover sleeve • legs glued to floor (from 80 mm under panel clearance), not available for supp. optimised • without under panel clearance only for anteroom partitions
Hinges	<ul style="list-style-type: none"> • 3-roller edge hinge made of aluminium (hinge roll Ø 20 mm), cannot be unhinged, with integrated spring – optionally for self-closing or -opening doors, 3 hinges per door 	
Finger protection		<ul style="list-style-type: none"> • aluminium safety tube on the hinge side
Door knobs/single hand turning knob	<ul style="list-style-type: none"> • lock case made of aluminium or powder-coated with door knob made of nylon, with red/white indicator 	<ul style="list-style-type: none"> • door knob made of aluminium or stainless steel • single hand turning knob made of aluminium
Door lever handle		<ul style="list-style-type: none"> • lock case made of aluminium with door lever handle made of aluminium, stainless steel or nylon • profile cylinder lock possible
Locks	<ul style="list-style-type: none"> • single latch lock 	<ul style="list-style-type: none"> • single latch profile cylinder lock • double latch lock • double latch profile cylinder lock
Central locking for changing cubicles		<ul style="list-style-type: none"> • central locking underneath the bench seating • overhead situated central locking
Engravings		<ul style="list-style-type: none"> • choice of standard symbols, numbers or text • individual designs available
Curtain rail		<ul style="list-style-type: none"> • sliding rail made of satin anodised aluminium (integrated into the head rail) • curtain gliders made of white plastic and curtain hooks made of metal
Climb over protection		<ul style="list-style-type: none"> • aluminium tubes satin anodised Ø 30 mm, axis 140 mm • max. cubicle depth 1600 mm
Standard colours	<ul style="list-style-type: none"> • according to the KEMMLIT colour chart 	
Special colour		<ul style="list-style-type: none"> • special colours from all HPL-manufacturers possible, individual assessment necessary, longer delivery time
Digital print		<ul style="list-style-type: none"> • individual digital print available
Compliance	<ul style="list-style-type: none"> • TÜV certified, GS (tested safety) 	

Subject to technical changes 01/2018

Cubicle system	cronus GL (glass)	Optional for a surcharge
Floor plan	<ul style="list-style-type: none"> rows of cubicles and single cubicles, any room situation 	<ul style="list-style-type: none"> support optimised option (recessed supporting legs in the partition, headrail above the front) in case of gypsum plasterboard walls either inlays or supporting leg is necessary, for front panel width (axis) as well as front panel wall connection panels > 250 mm a supporting leg in the front is necessary special solutions possible
Cubicle height	<ul style="list-style-type: none"> 2000 mm incl. 150 mm under panel clearance 	<ul style="list-style-type: none"> 2135 mm incl. 150 mm under panel clearance any special height available (from 2135 mm with upper panel)
Under panel clearance	<ul style="list-style-type: none"> standard 150 mm, adjustable -5 mm / +25 	<ul style="list-style-type: none"> special sizes available, always including under panel clearance (min. 80 mm)
Cubicle depth	<ul style="list-style-type: none"> 1500 mm 	<ul style="list-style-type: none"> special depths available (from 1600 mm with joint, head rail, H-profile and supporting legs in the partition panel)
Panel material	<ul style="list-style-type: none"> 12 mm enamelled toughened safety glass (TSG) for front and side panels, 8 mm for partition panels 	<ul style="list-style-type: none"> LSG (laminated sheet glass)
Door material	<ul style="list-style-type: none"> 8 mm enamelled toughened safety glass (TSG) 	
Door stop	<ul style="list-style-type: none"> multi-chamber aluminium profile with continuous rubber buffer for noise reduction 	
Door width	<ul style="list-style-type: none"> 570 mm / 640 mm / 750 mm / 980 mm (nominal size) 	<ul style="list-style-type: none"> special widths available
Swinging doors	<ul style="list-style-type: none"> not available 	
Head rail	<ul style="list-style-type: none"> three-chamber profile, size W x H 54 x 43 mm in a square design 	
Wall connection	<ul style="list-style-type: none"> aluminium-U-channel for front and side panel, wall angle for partition panel 	<ul style="list-style-type: none"> for partition panels > 1600 mm with aluminium U-channel
Corner connection for corner cubicles	<ul style="list-style-type: none"> corner connection profile made of aluminium 	
Angular wall connection		<ul style="list-style-type: none"> aluminium U-channel
Angular panel connection		<ul style="list-style-type: none"> aluminium profile with U-channel
Upper panel		<ul style="list-style-type: none"> 12 mm enamelled TSG, widths acc. to agreement
Upper glass panel		<ul style="list-style-type: none"> aluminium frame with clear glass TSG 6 mm optionally with acryl glass 5 mm, max W x H 1800 x 650 mm, larger widths with joint

Cubicle system	cronus GL (glass)	optional for a surcharge
Supporting legs / floor connection	<ul style="list-style-type: none"> • satin anodised aluminium supp. legs with stainless steel floor plate and aluminium cover sleeve, 150 mm under panel clearance, steplessly adjustable 	<ul style="list-style-type: none"> • stainless steel supp. leg with stainless steel cover sleeve • legs glued to floor, not for supp. optimised • 80 mm - 150 mm under panel clearance
Hinges	<ul style="list-style-type: none"> • 3-roller edge hinge made of aluminium (hinge roll Ø 20 mm), cannot be unhinged, with integrated spring – optionally for self-closing or -opening doors, 3 hinges per door 	
Door knobs / single hand turning knob	<ul style="list-style-type: none"> • lock case made of aluminium with door knob made of aluminium 	<ul style="list-style-type: none"> • single hand turning knob made of aluminium • profile cylinder lock made of aluminium • grip hole drilling Ø 55 mm
Locks	<ul style="list-style-type: none"> • single latch lock 	<ul style="list-style-type: none"> • single latch profile cylinder lock
Curtain rail		<ul style="list-style-type: none"> • sliding rail made of satin anodised aluminium (integrated into the head rail) • curtain gliders made of white plastic and curtain hooks made of metal
Climb over protection		<ul style="list-style-type: none"> • aluminium tubes satin anodised Ø 30 mm, axis 140 mm • max. cubicle depth 1600 mm
Standard colours	<ul style="list-style-type: none"> • according to KEMMLIT colour chart 	
Special colour		<ul style="list-style-type: none"> • special colours from all Glass-manufacturers possible, individual assessment necessary, longer delivery time
Digital print		<ul style="list-style-type: none"> • individual digital print • individual silk-screen printing
Compliance	<ul style="list-style-type: none"> • TÜV certified, GS (tested safety) 	

Subject to technical changes 01/2018



Baby changing station **Vigo** made of plastic in grey

KEMMLIT Supplementary products

Further complementary products such as lockers, shelves, bench seating harmonise with **cronus** and complete the system perfectly. Sanitary accessories such as baby changing stations, nappy waste bins, door symbols and consumables etc. can be easily ordered for self-installation.

cronus Colour concept

cronus captivates with its variety of colours and **combination possibilities**. The selection is nearly boundless. Even **special colours** and individual **digital prints** are available on request.

Panels and doors made of HPL:



Traffic white 9317
similar to NCS S 0502-G50Y



Granite white 9317P



Light grey 7208
similar to NCS S 2500-N



Quartz grey 7708
similar to NCS S 5000-N



Graphite 7808
similar to NCS S 7502-B



Cappuccino 1117
similar to NCS S 3010-Y60R



Burano brown 8617
similar to NCS S 6010-Y30R



Corn yellow 1708
similar to NCS S 1070-Y10R



Orange 2717
similar to NCS S 0570-Y40R



Tornado red 3508
similar to NCS S 0560-Y90R



Garnet red 3708
similar to NCS S 3060-R



Pacific blue 5715
similar to NCS S 2060-R90B



Lagoon blue 5408
similar to NCS S 1030-R90B



Silver 7408



Lemon green 6715
similar to NCS S 1060-G60Y

Panels and doors made of TSG:



Traffic white 9317¹
similar to RAL 9016



Light grey 7208
similar to RAL 7035



Anthracite 7603
similar to NCS S 5502-Y



Dark blue 5603
similar to RAL 5008



Light blue 5203
similar to RAL 6034



White green 6504
similar to RAL 6019



White yellow 1503
similar to NCS S 1020-Y



Light yellow 1403
similar to NCS S 0560-Y10R



Pale red 3303
similar to RAL 2012



Red 3117
similar to RAL 3013



Dark red 3603
ähnlich NCS S 5040-R



Structure SR200²

Profiles, hinges, furniture, supporting legs and accessories:



White 02³
similar to RAL 9016



Manhattan 05³
similar to NCS 2801-Y36R



Anthracite 03³
similar to RAL 7043



Dark blue 04³
similar to RAL 5003



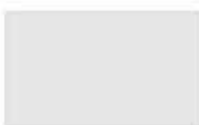
Red 11³
similar to RAL 3003



Dark red 01³
similar to RAL 3005



Yellow 10³
similar to RAL 1023



Satin anodised 08
similar to Et / EV1



Stainless steel V2A 12⁴

**Colour concept
valid from 07/2017**

¹ For a surcharge also available in optiwhite (decoloured glass)

² Patterned glass, transparent, only available for doors

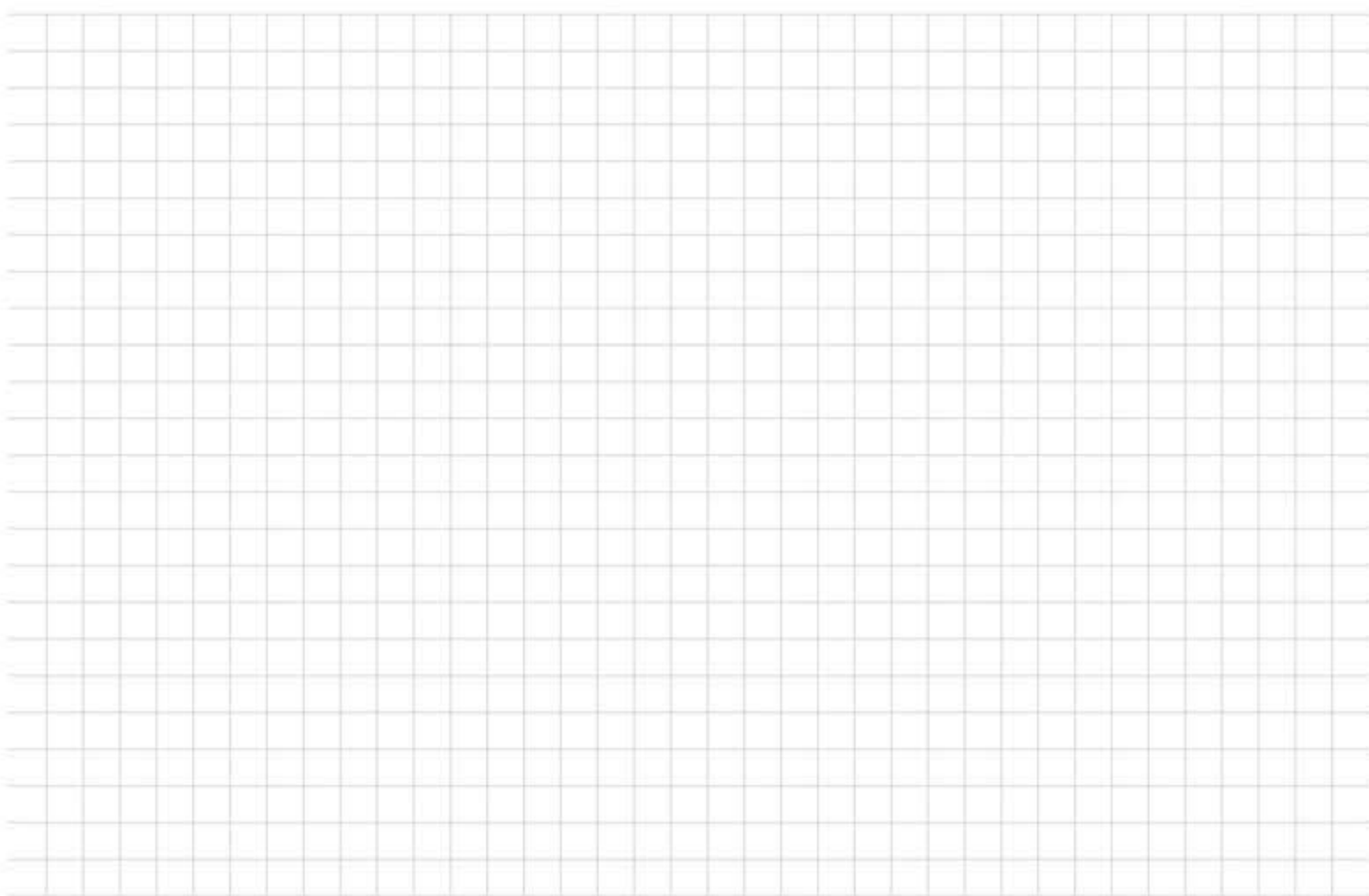
³ Profiles for glass cubicle only available in satin anodised 08

⁴ For accessories and supporting legs only

Please note, that the colours shown above may slightly differ from the original colour due to typographic reasons. We would gladly advise you personally.

YOUR KEMMLIT Project

Your layout:



Your notes:



Please scan and send via email to: info@kemmlit.de.
We will gladly advise you. Thank you.



ON-TIME INSTALLATION

98% of all requested delivery
dates can be fulfilled



FASTEST PRODUCTION & INSTALLATION

Prompt and on-schedule
delivery



IMMEDIATE REPAIR

Immediate repair
when you need it



HIGHEST PRODUCT QUALITY

Top quality in terms of material and
processing



WE ARE IN YOUR VICINITY

Individual consulting service by
professional sales representatives



KEMMLIT UK | Bays Platt | Skirmett | Henley-on-Thames Oxfordshire RG9 6TD | United Kingdom

Tel.: +44 (0) 1491 / 638 606 | info@kemmlituk.com | kemmlituk.com