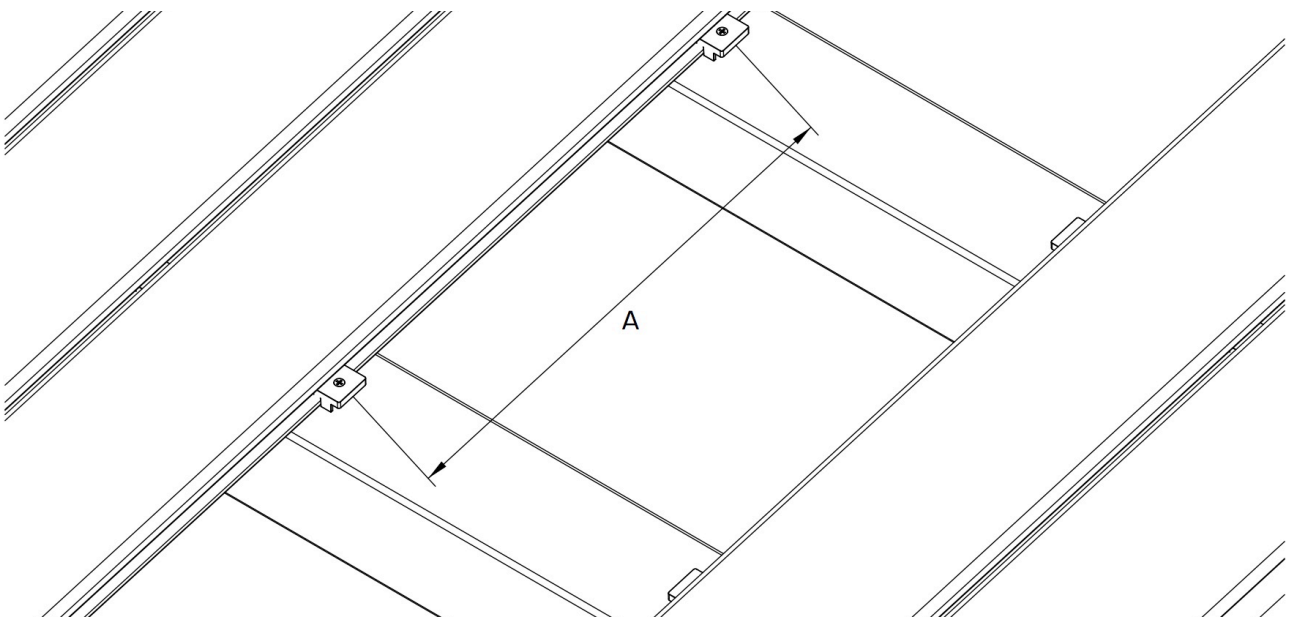


KEDECK decking installation guide

- KEDECK decking board measurements: thickness 32mm / width 142mm / length 3000mm.
- KEDECK decking can be cut and drilled like timber.
- It is recommended that decking boards are cut and installed at the same temperature.

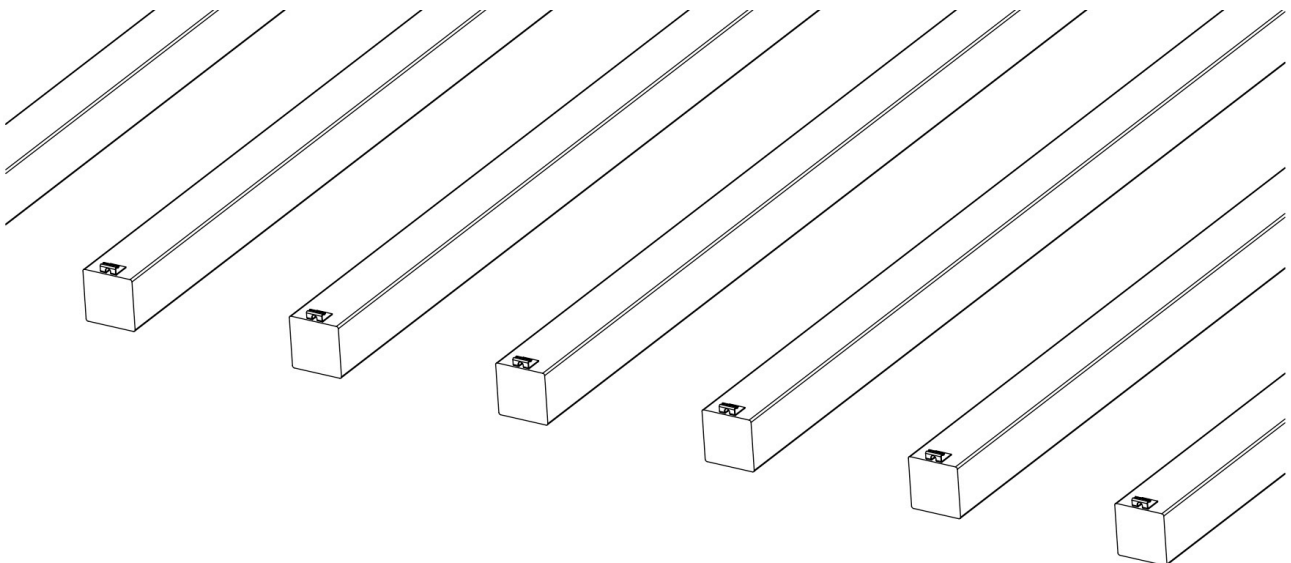
Supporting construction

- KEDECK decking may be placed on either plastic or wood joists. In this installation manual it is used 95mm x 95mm polymer joist.
- To build the joist structure strength calculations must be made to ensure the construction can support the weight of the decking [1m = 3.5kg and 1m² = 23kg].
- The ground area of the deck must be even and stable to avoid sagging or uneven tension (load) distribution.
- **The recommended distance between the joists is 37,5cm (A). The maximum distance is 40cm.**
- **Joists should be at least 50mm wide.**

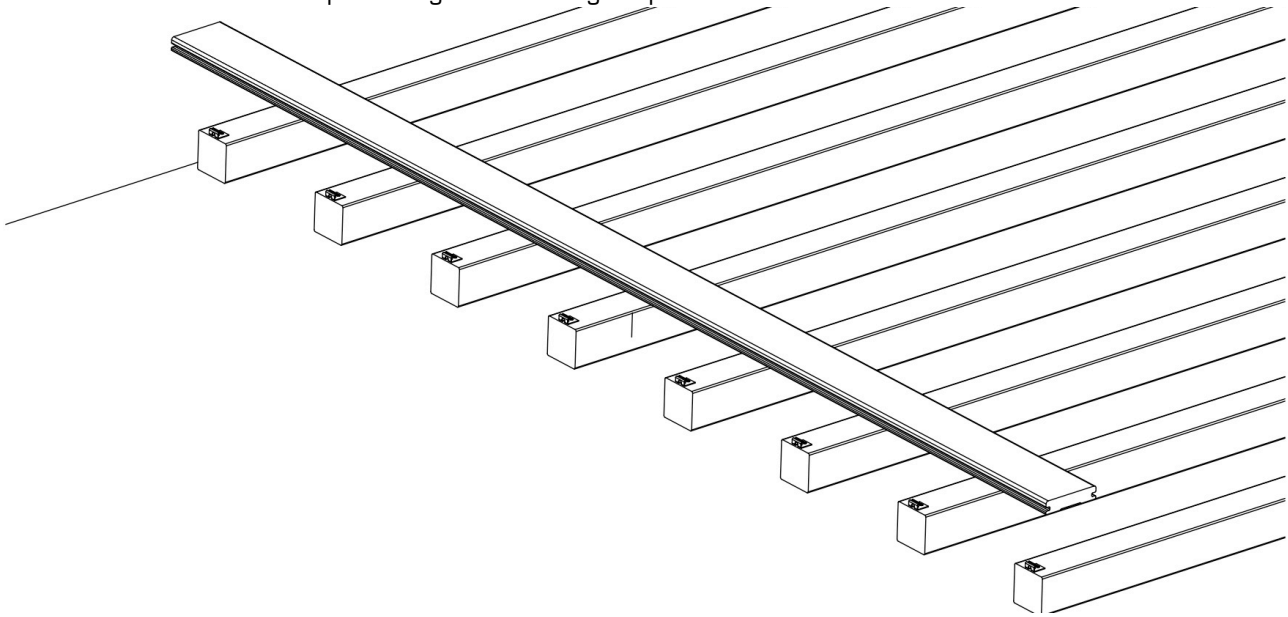


Installing the decking

1. An edge clip is screwed to one end of the joists before installing the decking.



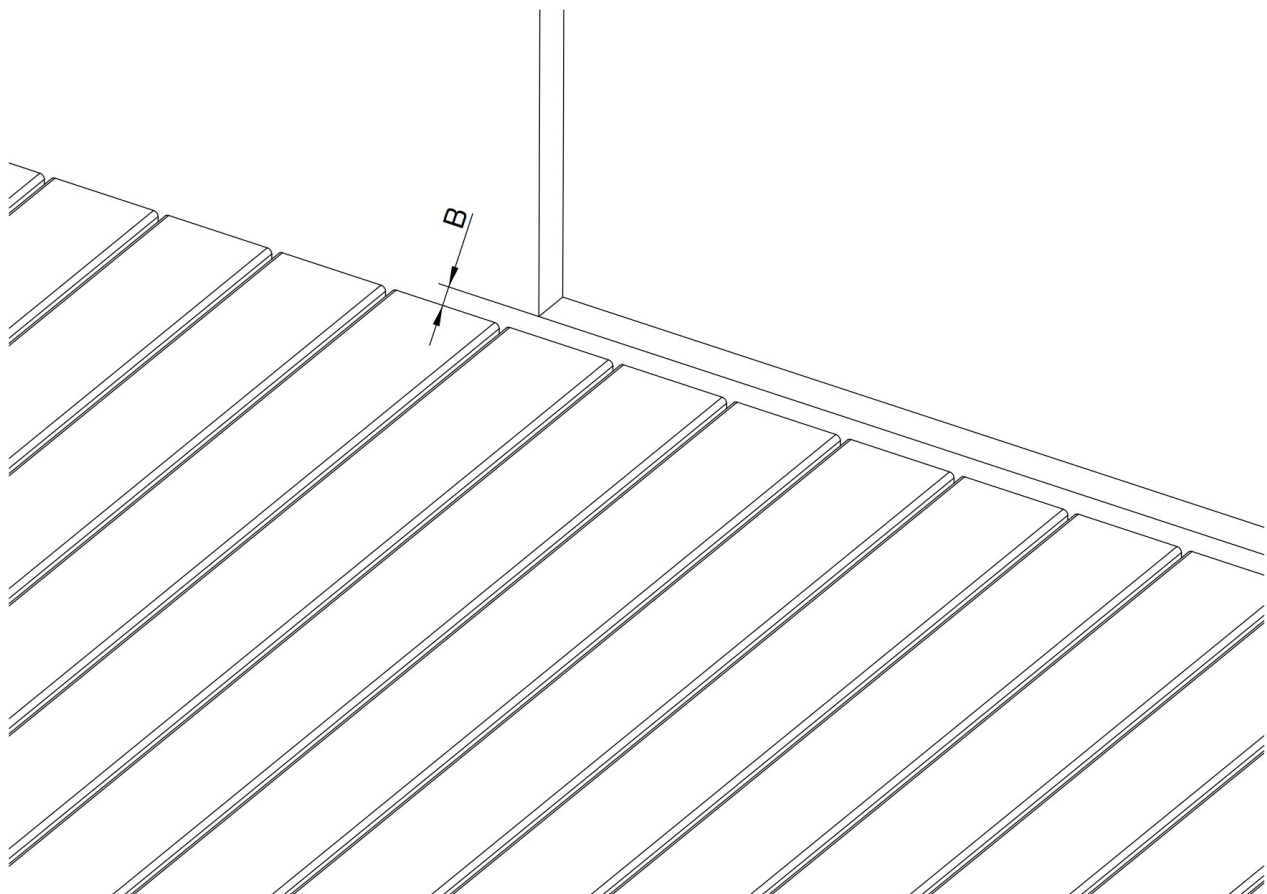
2. The first deck board is placed against the edge clip.



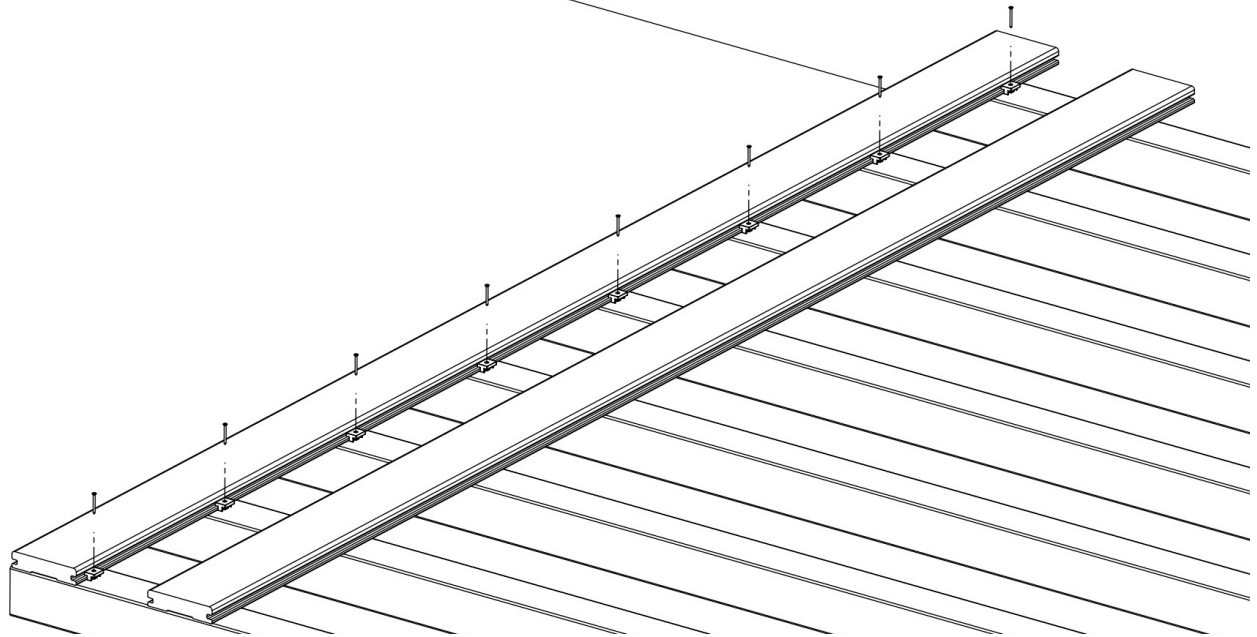
3. KEDECK boards have the characteristic of changing length based on temperature. When building the deck it is necessary to leave expansion gap to one end (**B**). A temperature change of one degree changes the longitudinal dimension of the decking by 0.069 mm per 1 metre.

Help table for installation

Installation temperature	0°C	5°C	10°C	15°C	20°C	25°C	30°C	35°C	40°C	45°C	50°C
Expansion per 1m	5mm	4,5mm	4mm	3,5mm	3mm	2,5 mm	2mm	1,5 mm	1mm	0,5 mm	0mm



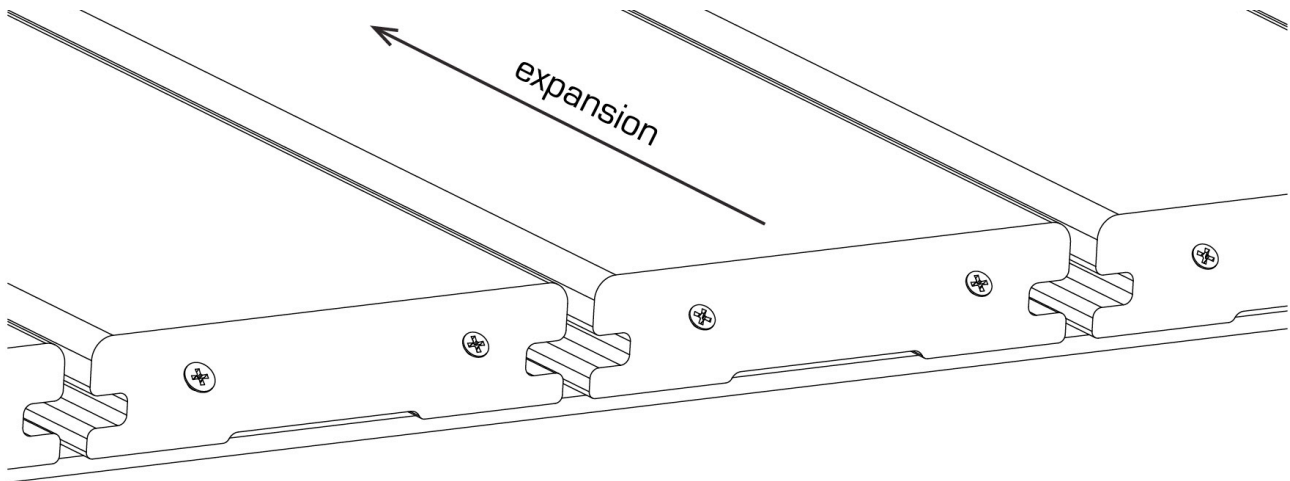
- Decking is put in place using decking clips. The clip allows for longitudinal movement of the decking. Each joist needs one decking clip, which is installed using a screw.



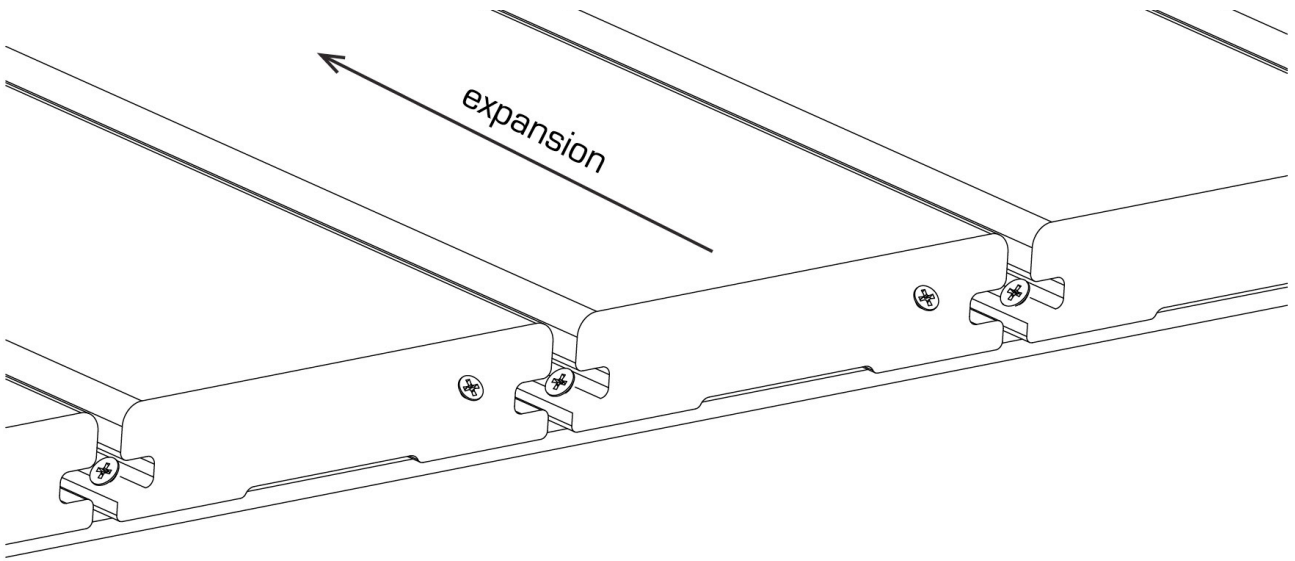
- The end of the decking (opposite to the one allowing for expansion) is attached to the joists using two diagonally placed long screws to ensure expansion takes place one way only. There is opportunity to let expansion both sides (version D), suitable for balconies.

There are four options for the expansion.

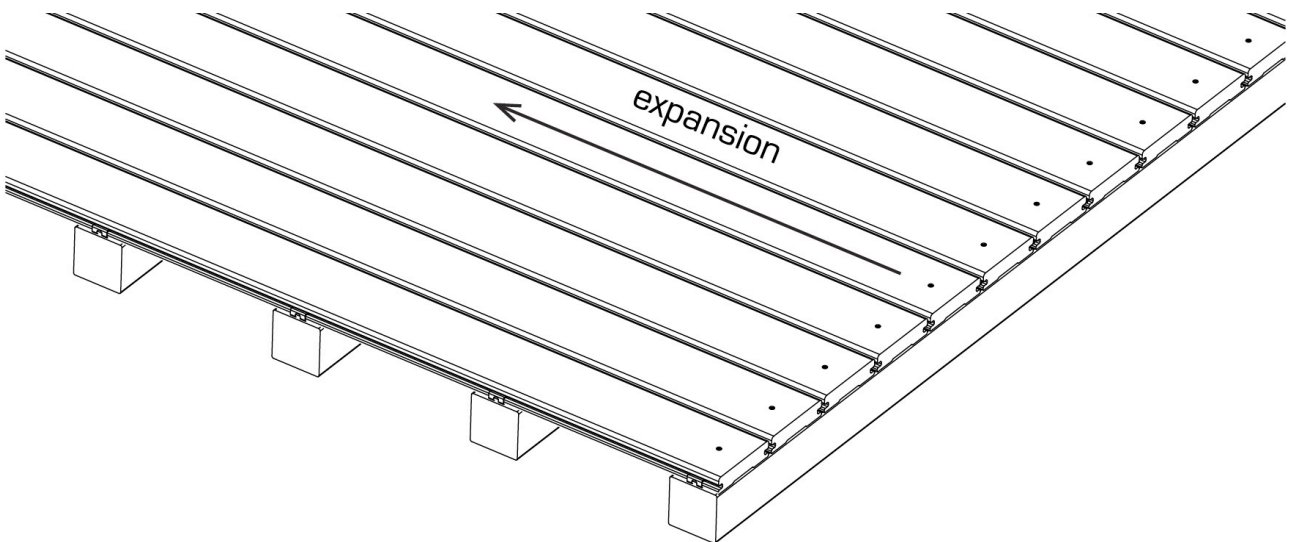
Version A



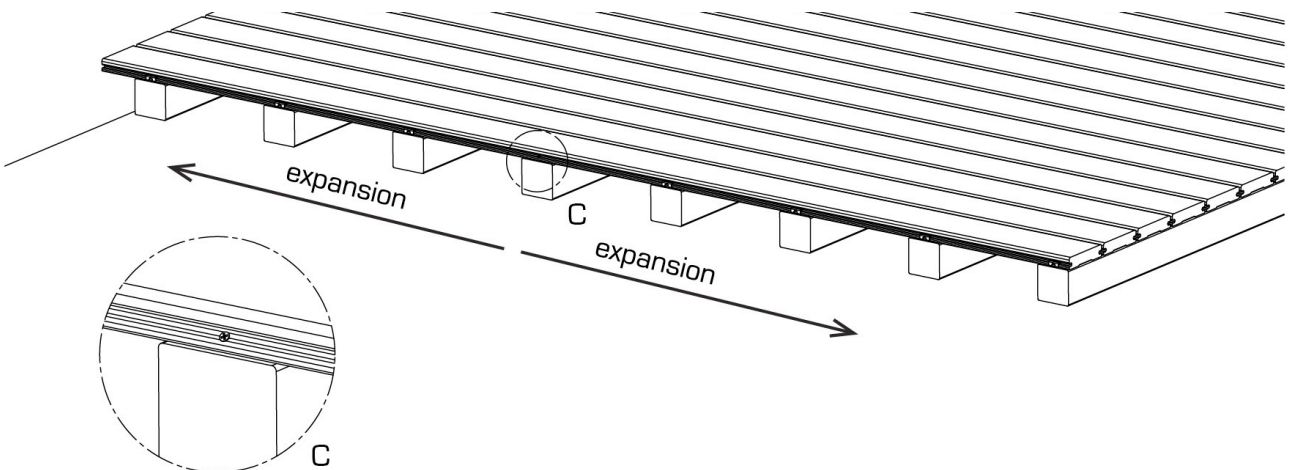
Version B



Version C

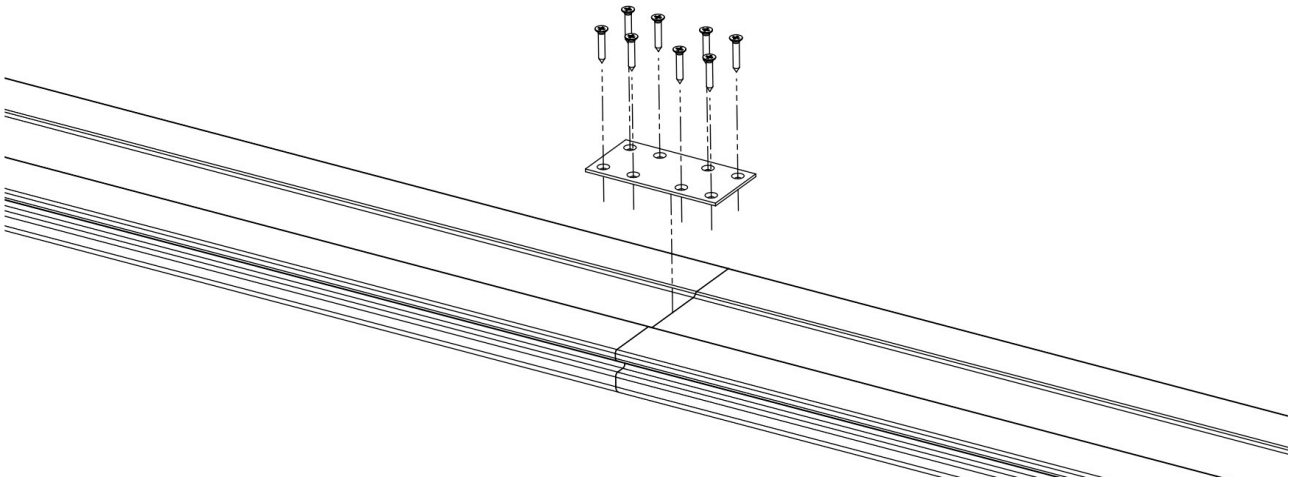


Version D

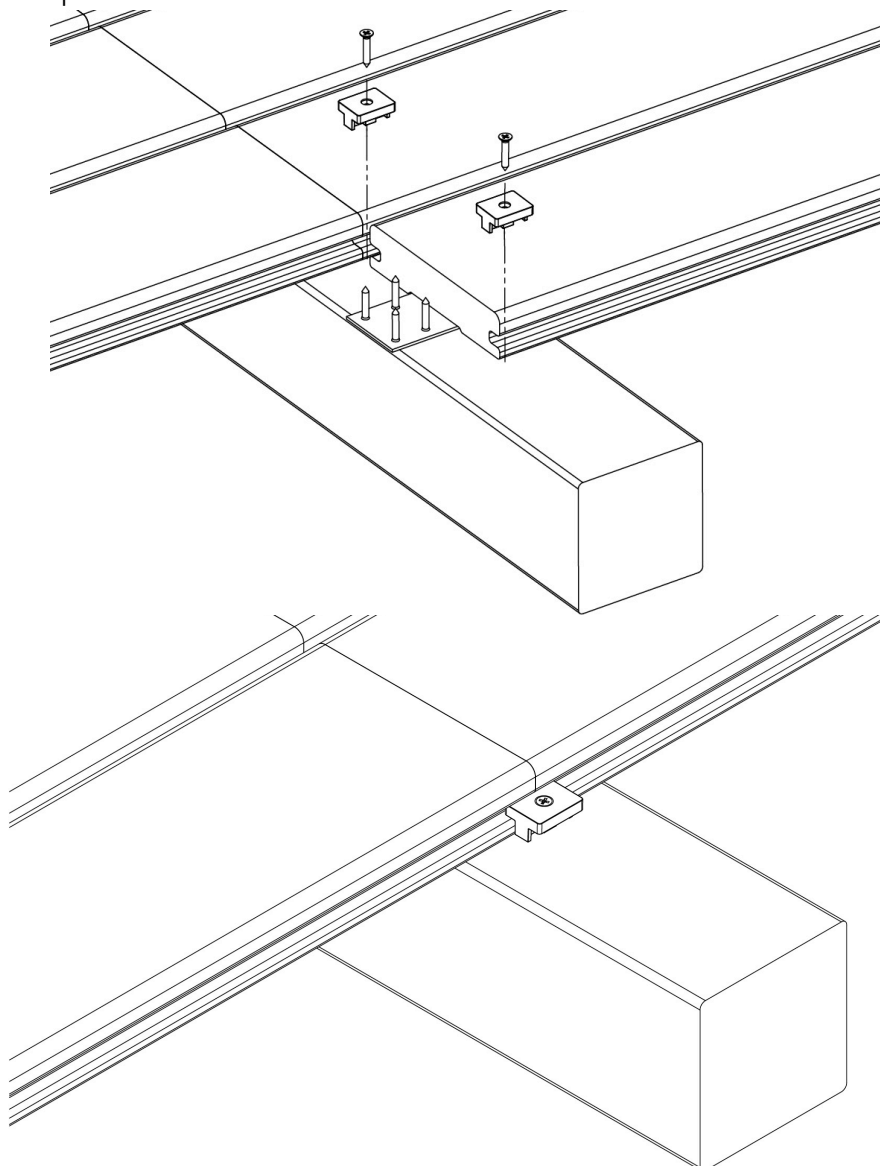


Extension of the decking

1. If extending the decking length is necessary this is done by using a stainless steel plate and screws intended for this purpose that are placed on the underside of the decking. The stainless steel plate requires at least 8 screws (2 x 4 screws).



2. The stainless steel plate has to be over the supporting construction to avoid undesirable sagging. The stainless steel plate must be in the middle of the joist and fastened using one centred clip that encompasses both deck boards.

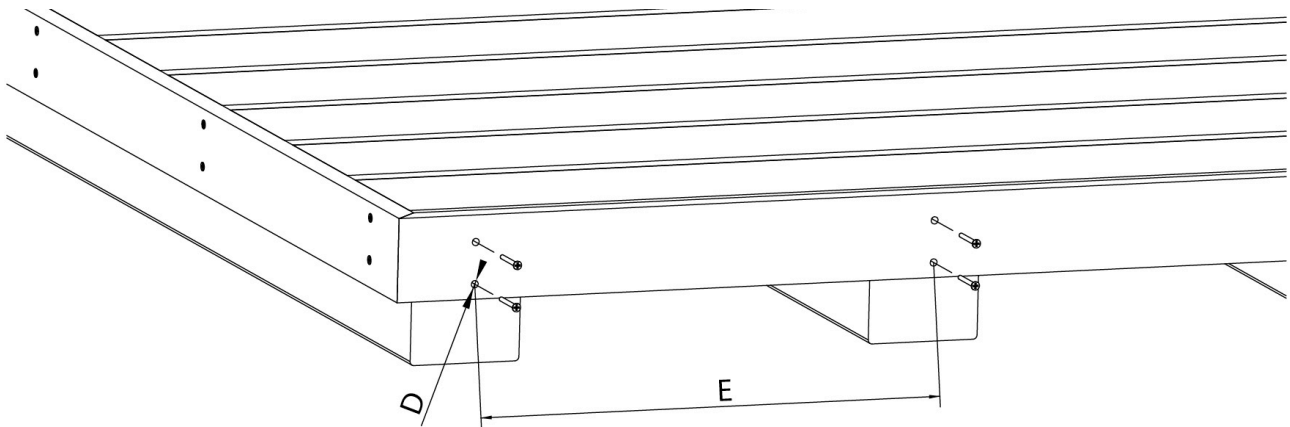


Installation of the fascia boards

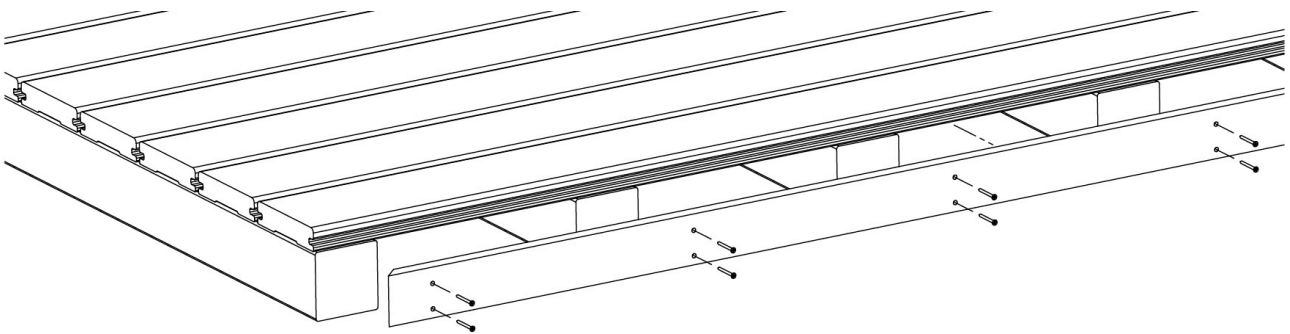
Once the decking is in place, fascia boards can be installed.

KEDECK fascia board: thickness 20mm / width 95mm / length 3000mm

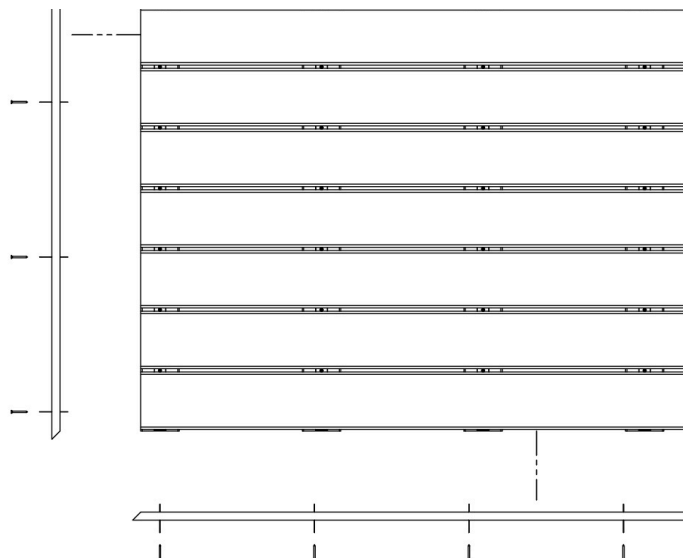
- The ends of the fascia board need to have holes drilled in them that are 2mm **(D)** larger than the screw, but the screw heads must cover the hole. The larger holes provide for the necessary expansion space.
- The rest of the fascia board screws can be placed without drilling holes, as they do not require expansion space.
- The fascia board is attached to the supporting construction (not to the decking) with an interval up to 50 cm **(E)**.



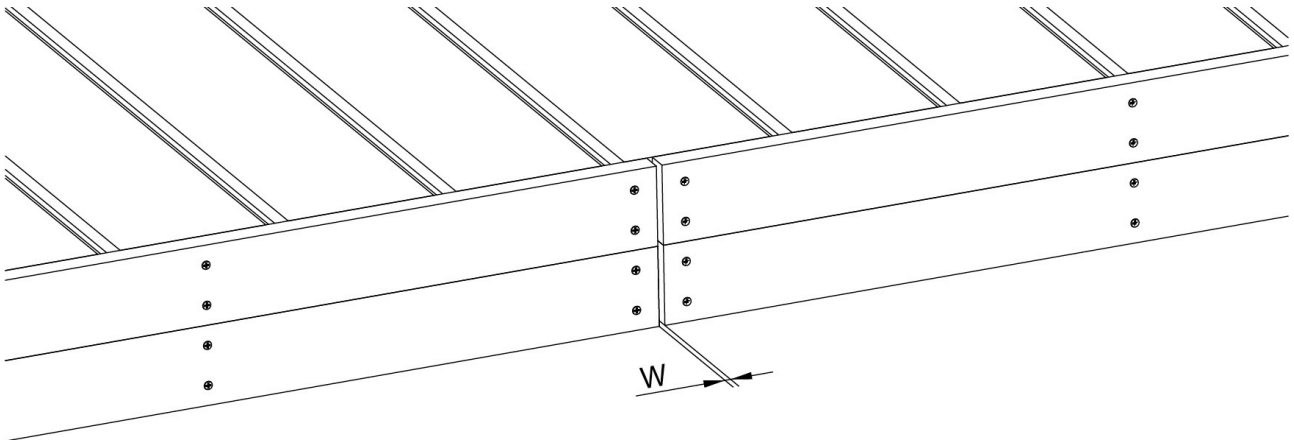
- The fascia board is always installed with 2 screws that are opposite each other



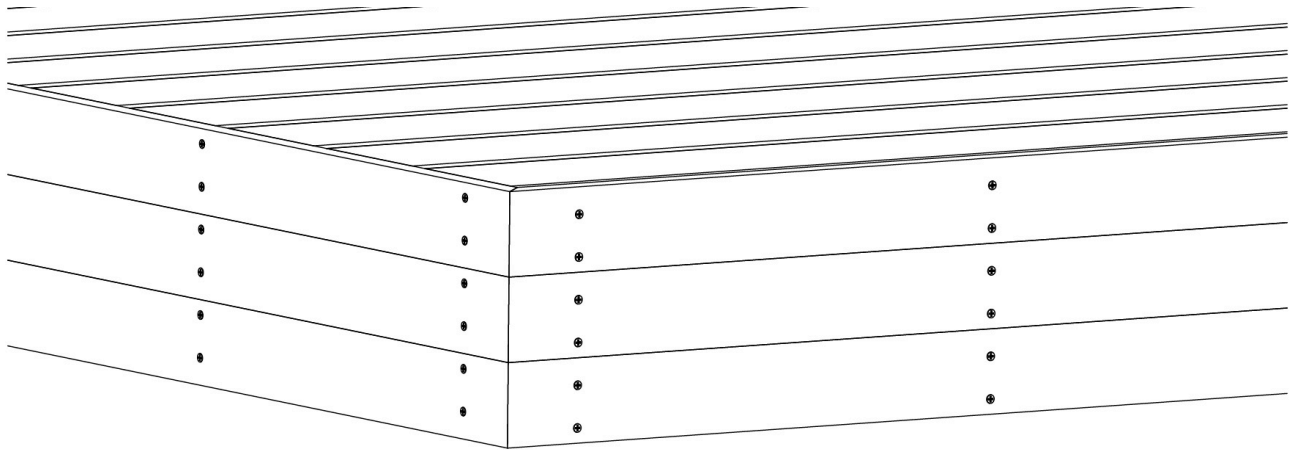
- The corners of the edge board must be cut on a 45-degree angle.



- The edge boards are extended leaving a gap of 5mm between two boards to allow for expansion (**W**).



- Joist height will determine how many fascia boards you can install. KEDECK fascia board standard height is 95mm. One example with three fascia boards:



Care/Maintenance

- KEDECK decking does not need additional protective treatment.
- Cleaning can be done using cleaning means common to any household – usually water and a broom are sufficient.
- Abrasive cleansers may damage the surface of KEDECK decking.

Contact

More about KEDECK profiles

Oswald Street | Burnley | Lancashire | BB12 0BY

www.kedeltrade.co.uk | sales@kedel.co.uk | 01282 861325