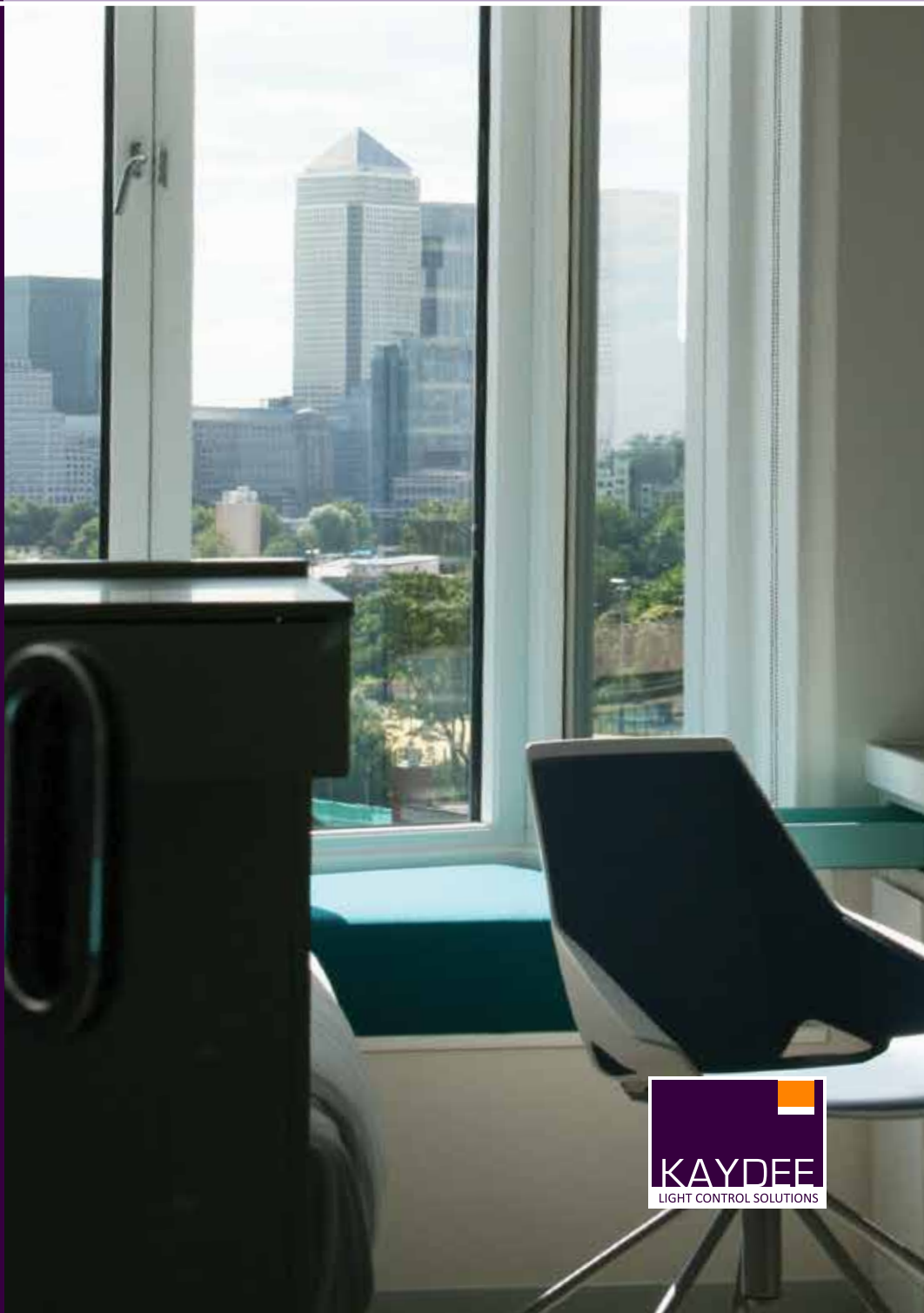


Shada Gee®

Roller Blinds by Kaydee



Kaydee – the strength behind the name

Consider the value you get from sourcing your commercial blinds from Kaydee. We have built our reputation on decades of specialisation in your market. So, quite simply, you get excellence as standard.

- **Competitive prices**

The very best prices combined with vast choice are just two reasons why Kaydee brings you the best solution – within your budget. Guaranteed.

- **Why is Kaydee unique?**

Our independence means we bring you only the best from multiple, worldwide manufacturers. You won't find a better choice or a larger choice.

- **We are answerable**

Unlike distributors, Kaydee supports your project from specification to installation. Add good communications to answerability and you get just the solution that you need.

- **On time every time**

Our commitment to you is that we meet our contractual deadlines. On time, every time. Isn't that good for your peace of mind?

- **Total control**

From start to finish, Kaydee will nurture your project with pride and professionalism. Our project management skills give you total confidence.

- **Excellent guarantees**

All our commercial blinds come with an appropriate warranty ranging from 12 months to 25 years. Our commitment to quality, is your guarantee.



- **Experience counts**

There is no substitute for Kaydee experience – twenty-five years' innovation, exclusivity and customer care. For you, that means no surprises – you get exactly what you asked for.

- **Safe, too**

Safe installation, safe operation. Kaydee staff are experts in health and safety. Their training and experience helps reduce your risks.

- **Easy on the eye**

Cosmetically or architecturally – blinds have to look right. Kaydee's vision in colour, texture and style will make the right visual statement for you.

Shada Gee roller blinds by Kaydee – function, choice and elegance together

Performance

If you are seeking the perfect marriage between window size, roller blind performance and ease of operation, you need look no further than this fully proven family of roller blinds from Kaydee.

Large blinds – no problem

There is a wide selection of tube diameters and profiles - enabling you to select a progressively larger and heavier duty system, according to preference, window size and the weight of fabric used. The diameter of the sprockets for the control

chains also increases accordingly – enabling the larger blinds to be operated smoothly and without undue physical effort. Job-matching is further enhanced by a choice of either plastic or metal control chains.





Shada Gee roller blinds by Kaydee – the benefits

- **Wider spans** There is a wide selection of roller diameters and profiles available – correct selection enables blinds to span wider window openings without ‘whipping’ during operation.
- **Easy operation** Multiple systems with operating weights from 2.25kg to 11 kg all give easy, ultra-smooth operation, with side control. Metal or plastic operating chains guarantee fatigue-free use.
- **Durability by design** Corrosion-resistant components should give no problems in normal environments. Construction methods are also designed to minimise damage from misuse.
- **Universal fixing brackets** Truly universal. Colour-keyed, you can use them for top, face or side fixing and for left or right side control – and they look great, too.
- **Perfect job-matching** Choose from several diameters of roller tube for progressively heavier and larger blinds – to match virtually all window sizes.
- **Kaydee guaranteed** Your assurance – a 12 month guarantee of quality.
- **Choice of fabrics** Select from the extensive Kaydee fabric range, including flame retardant fabrics, solar reflecting materials and dim-out options. A range of colourways enables you to match fabric colour and texture to internal room décors.

Shada Gee roller blinds by Kaydee Specification guides



Kaydee Shada commercial roller blinds with spring-assisted side control operating system

You can download this specification directly from www.kaydeeb blinds.com/productrange

Tubes Roller tube of robust extruded aluminium construction.

Bottom bar specify aluminium or PVC construction.

Fabric Fixing Either by spline or fixing tape.

Manual Operating System Side-winder control system. Operating chain: specify PVC or metal construction.

Motorised Operating System Electric motorised control options are also available. Tubular electric motor contained within the roller tube, operated by hardwired switch or radio remote or infrared control.

Brackets Universal type, suitable for top, face or side fixing and left hand or right hand side control.

Fabrics (Select from fabric section of Kaydee Specifiers' Manual).

Material to be(insert, as applicable)

Fabric colour to be..... (insert, as applicable)

Warranty 12 months 'fit-for-use'.

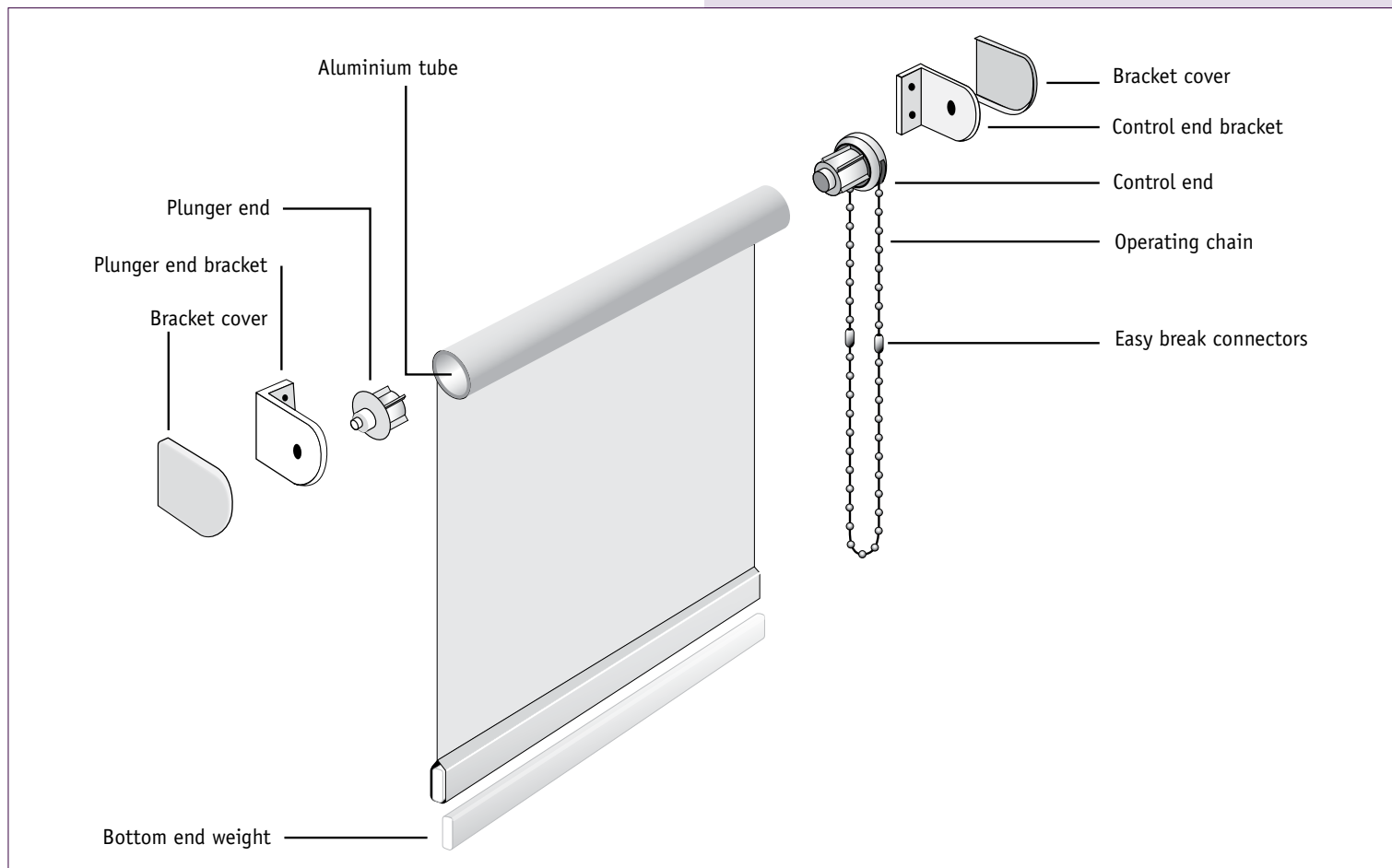
Leading dimensions:

Max. width 3,000mm

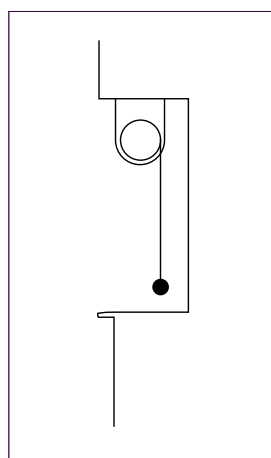
Max drop 3,000mm

Supplied by Kaydee Blinds, City Gate, London Road, Derby, DE24 8WY. Tel: 01332 851400 Fax: 01332 294573.

Technical Details



Top Fix



Face Fix

