

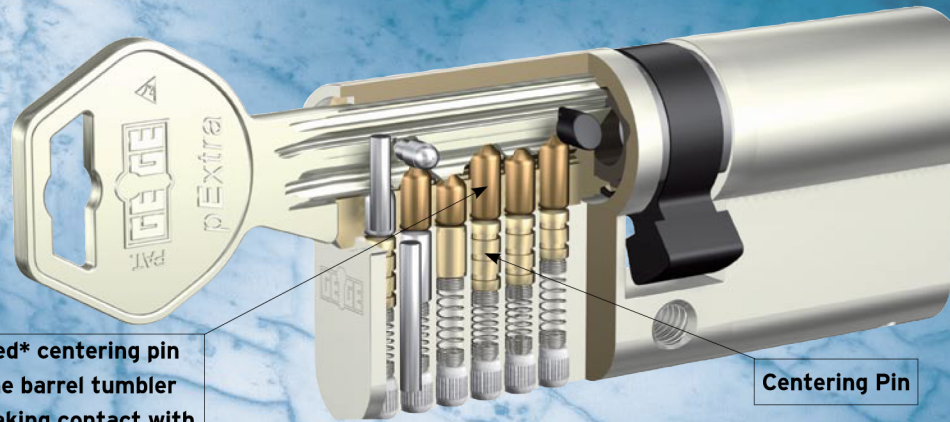


**KABA®**

# Patented Master Key System: Gege pExtra

Patent Protection to 2022

# Safe, Proven and Protected



The patented\* centering pin prevents the barrel tumbler pin from making contact with the "bumping" key.

Centering Pin

## Extra Patent Protection

The Gege System pExtra is protected by the following patents until 2022:

- Europe Publication no. EP1362153
- International patents registered under WO 03/004806
- Design Protection until 2030

## Extra Protection against picking

Protection against picking is provided by an overlapping key profile and special pins.

## Extra Protection against drilling

Drill protection is provided by additional hardened steel safety elements.

## Extra Protection against the "Bumping Method"

A patented\* system by Kaba using a "centering pin" has been proven to hinder opening cylinders by the "bumping" method. Even expert lock pickers have not been able to "bump" open a Gege pExtra cylinder (shown live on European TV, May 2005)

## Extra Protection against illegal duplicate keys

The new Gege pExtra cylinder system meets the requirements of EN 1303:2005 for key related security to grade 6 and for attack resistance to grade 2 for six pin cylinders.

pExtra has legal and physical copy protection against unauthorised duplication provided by the new undercut branched groove in the key/cylinder profile and the active pin in the cylinder.



## Extra safety for you

Duplicate keys may only be produced by authorised Kaba dealers.



# Patented Master Key System



## Extra investment security and integration.

The Gege master key systems can be integrated into the mechatronic system Gege eolegic by utilising the legic® chip on to an existing key head.



Mechatronic  
Gege eolegic Key



Gege eolegic  
compact cylinder

## Locking Systems for Private Homes, Public Offices or Building Complexes

Gege pExtra defines access for private homes, companies or public buildings. The customer decides who has access with which key and where. Your authorised Kaba dealer provides professional advice and consulting.

## One Key for All

The Gege pExtra system can be used in all types of cylinders (double cylinders, thumbturn cylinders, furniture locks, padlocks, etc.)

Kaba offer master key systems designed to suit all needs and pExtra cylinders can be incorporated into large systems in order to increase levels of security and access control.



**KABA®**

Kaba (UK) Limited  
Lower Moor Way  
Tiverton Business Park  
Devon  
EX16 6SS  
Tel: 0870 000 5625  
Fax: 0870 000 5397  
Email: [info@kaba.co.uk](mailto:info@kaba.co.uk)  
[www.kaba.co.uk](http://www.kaba.co.uk)