

Kaba 20 patented master key system

Bespoke key systems, engineered to your specification

Benefits:

- Registered and protected by several patents.
- Tested according to EN1303, key related security grade 6.
- Duplicate keys, once registered, may only be made in our factory by Kaba Ltd against an authorised signature.
- Additional protection of the cylinder to drill attack is available as an option.
- Extra length keys and big head keys can be supplied if requested.
- Permutation capacity (theoretical number of cylinder differs) - 726 billion.

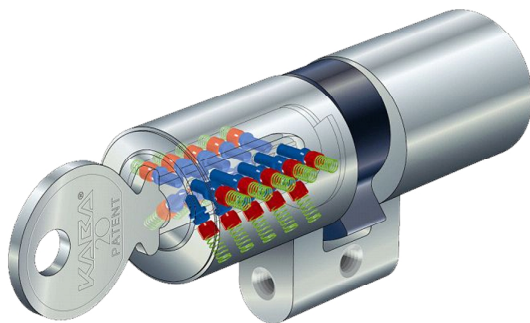
Applications:

- Commercial
- Industrial
- Stadia
- Retail
- Financial
- Utilities
- OEM

Kaba manufactures and provides solutions for some of the most demanding security applications, and is the number one choice for clients who need to secure and control access to personnel and equipment in some of the most remote and challenging environments.

With four radially arranged pin tumbler rows comprising of up to 22 pins the Kaba 20 system is highly respected by end user clients. It satisfies high customer demands and with the controlled issuing of duplicate keys it affords high copy protection direct from the Kaba factory, thus giving our customers total confidence in the integrity of their locking system.

The engineering excellence of the Kaba 20 cylinder is combined with the milled Kaba key which is strong and easy to use as it can enter the cylinder either way; the cylinder mechanism is highly reliable and durable having had extensive success in many demanding applications.



Features:

- Kaba master key systems fulfil very high security requirements thanks to radially arranged pin tumbler rows, a best material practise, an exact precision milling process and a unique cylinder construction.
- High copy protection is guaranteed thanks to the Kaba registration procedure; a computer controlled milling process, and secure key blank protection.
- The Kaba 20 master key system can be expanded at any time and can be integrated into electronic locking systems ensuring investment security.
- A significant permutation capacity allows for large complex master key systems to suit our client requirements.



Kaba Ltd
Lower Morr Way, Tiverton, Devon EX16 6SS
Tel: 0870 000 5625 Fax: 0870 000 5397
oem@kaba.co.uk www.kaba.co.uk

Kaba 20 patented master key system

Bespoke key systems, engineered to your specification

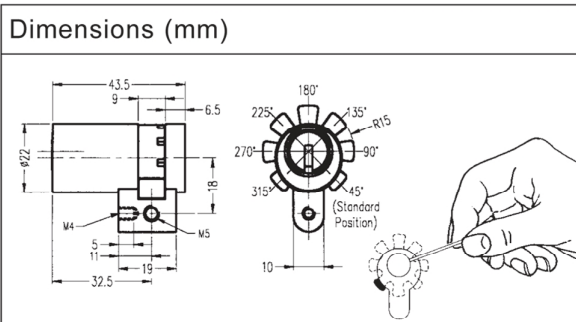


Also available in the Kaba 20 series:

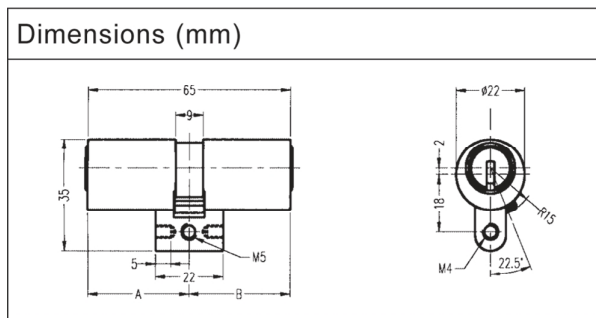
- Single Cylinder
- Double Cylinder
- Key & Thumbturn
- Padlock
- Cam Lock
- Cabinet Lock
- Cupboard Lock
- Glass Cabinet Door Lock
- Multi-Point Cupboard Lock
- Rim cylinder
- Scandinavian cylinder
- Round (single, double & turn)

The Kaba 22mm range of round cylinders are available in different lengths in increments of 5mm to suit a wide variety of applications, in addition for further flexibility the single cylinder can be configured with multiple cam positions in increments of 30°.

K514 Single Cylinder



K515 Double Cylinder



K519 Key Thumbturn

