

Camlock Cams

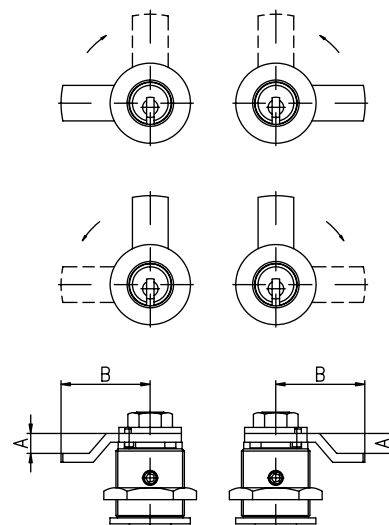
BMZ 1031 / 1061

Table 1:

Cam number	Dimensions in mm	
	A	B
1061-66	0	14
1061-68	0	20
1061-70	0	25
1061-6M	0	30
1061-6zk	0	40 (Standard)
1061-6M1	0	50
1061-6Q1	1	28
1061-6Q	1	40
1061-6Q2	1	50
1061-6Z1	2	28
1061-6Z	2	40
1061-6Z2	2	50
1061-6S1	3	28
1061-6S	3	39,5
1061-6S4	3	50
1061-6T1	4	28
1061-6T	4	39
1061-6T2	4	50
1061-6U1	5	28
1061-6U	5	38,5
1061-6U3	5	40
1061-6U2	5	50
1061-6E1	6	28
1061-6E	6	38
1061-6E3	6	40
1061-6E2	6	50
1061-6H2	7	28
1061-6H	7	37
1061-6H4	7	40
1061-6H3	7	50
1061-6V1	8	28
1061-6V	8	37
1061-6V3	8	40
1061-6V2	8	50
1061-6W1	10	28 (Renz)
1061-6W	10	35
1061-6W3	10	40
1061-6W2	10	50
1061-6X1	12	28
1061-6X	12	33
1061-6X3	12	40
1061-6X2	12	50
1061-6Y2	14	28
1061-6Y	14	31,5
1061-6Y4	14	40
1061-6Y3	14	50
1061-6A2	16	30
1061-6A1	16	40
1061-6A	16	50
1061-6B2	18	30
1061-6B1	18	40
1061-6B	18	50
1061-6C2	20	30
1061-6C1	20	40
1061-6C	20	50

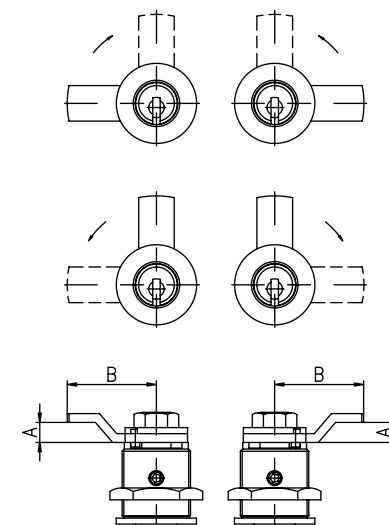
Table 2:

Cam number	Dimensions in mm	
	A	B
1061-66	0	14
1061-68	0	20
1061-70	0	25
1061-96M	0	30
1061-96ZK	0	40
1061-96M1	0	50
1061-96Q1	1	28
1061-96Q	1	40
1061-96Q2	1	50
1061-96Z1	2	28
1061-96Z	2	40
1061-96Z2	2	50
1061-96S2	3	28
1061-96S	3	39,5
1061-96S4	3	50
1061-96T1	4	28
1061-96T	4	39
1061-96T2	4	50
1061-96U1	5	28
1061-96U	5	38,5
1061-96U3	5	40
1061-96U2	5	50
1061-96E1	6	28
1061-96E	6	38
1061-96E3	6	40
1061-96E2	6	50
1061-96H2	7	28
1061-96H	7	37
1061-96H4	7	40
1061-96H3	7	50
1061-96V1	8	28
1061-96V	8	37
1061-96V3	8	40
1061-96V2	8	50
1061-96W1	10	28 (Renz)
1061-96W	10	35
1061-96W3	10	40
1061-96W2	10	50
1061-96X1	12	28
1061-96X	12	33
1061-96X3	12	40
1061-96X2	12	50
1061-96Y2	14	28
1061-96Y	14	31,5
1061-96Y4	14	40
1061-96Y3	14	50
1061-96A2	16	30
1061-96A1	16	40
1061-96A	16	50
1061-96B2	18	30
1061-96B1	18	40
1061-96B	18	50
1061-96C2	20	30
1061-96C1	20	40
1061-96C	20	50



Right, table 1

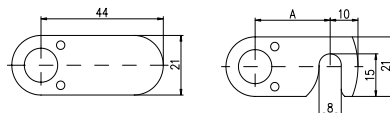
Left, table 2



Right, table 2

Left, table 1

Cam No.	Dimension A in mm
1061-601A	18
1061-601B	22
1061-601C	27
1061-601D	32



1061-601

1061-601 A, B, C, D

Cams 1061-601 and 1061-601A, B, C, and D can be used on the left and right.

Please note that certain options, finishes and dimensions may be subject to extended factory lead times. Please contact our office via email on sales.uk@kaba.com or telephone (0) 870 000 5625.

¹⁾ Kaba gemini and Kaba quattro are only offered for existing master key systems.

²⁾ Kaba expert, Kaba maTriX and Kaba gemini T are only sold to authorized dealers.