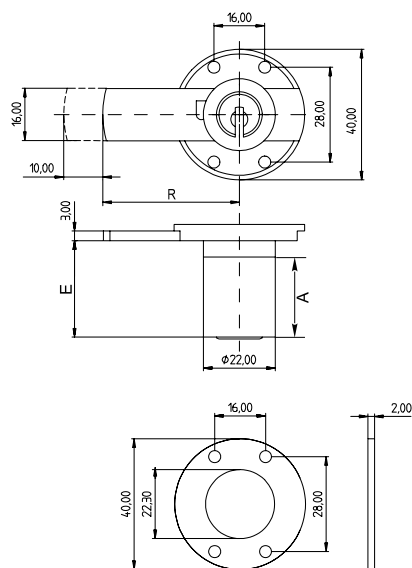


Flush Mounted Dead Lock

MAS 2006A



Spacer disc is optional
 A = Cylinder length in mm
 R = bolt length in mm

Cylinder Length	Installation Depth
25	29.5
30	34.5
35	39.5
40	44.5
45	49.5
50	54.5
55	59.5
60	64.5
65	69.5
70	74.5
75	79.5

Application:

Screw-or or insertion bolt lock available for left or right doors as well as for upper and lower drawers.

Specification:

Housing supplied in solid natural brass with nickel plating
 Die cast base, nickel-plated, zinc-plated steel bolt
 Backset: 30, 35, 40 or 50mm
 Bolt lengths: 30, 40, 50, 60, 80 or 100 mm
 Bolt throw: 10mm
 Reversible key made from nickel silver

Included with the lock:

2 reversible keys (See "Special Functions and Keys" for key options)
 Plastic key clip in dark red for Kaba penta, in dark blue for all other systems
 Security Card for ownership registration and ordering duplicate keys
 Installation and Maintenance Instructions
NOTE! Screw-on rosettes are special accessories and are not included with the cylinder.

Premier Systems:	6 Kaba penta	7 Kaba quattro pluS	12 Kaba gemini pluS
Patent expired systems	4 Kaba quattro S	2 Kaba gemini S	
Old systems	3 Kaba quattro ¹⁾	1 Kaba gemini ¹⁾	
Dealer systems	5 Kaba experT ²⁾	19 Kaba maTriX ²⁾	
Old dealer system		9 Kaba gemini T ²⁾	

Length Standard - from 25 to 75mm in 5mm steps
 60 and 70mm available on request

Options (See „Special Functions and Keys“ for details)

BAZ	Construction key	BAZ3	Construction key 3		
LI	Left hinged door	RE	Right hinged door		
OB	Drawing locking up	UN	Drawer locking down		

Accessories

Order Code	Drawing No.	Description
ROSETTE.1008A.*	1008A-25	Slide on rosette furniture cylinder Ø 22 mm, available in all surface finishes (* specify surface finish code at the end of the order code)
DISTANZSCHEIBE.2006.NI	2006-4	Spacer disc 2 mm, nickel-plated brass

Standard Surface Finishes (for lock cylinder)

NI - Nickel plated	MS - Brass natural	
--------------------	--------------------	--

Optional Surface Finishes

BH - brown light	MP - Brass polished	CR - Chrome standard
BM - brown medium	MSA - Brass antique	CRM - Chrom dull
BD - brown dark		CRP - Chrome polished
NIC - chemically nickel plated		
GO - gold plated		

Order Code System

System Code.Lock.Type.Length.Surface finish.Backset.Locking direction.Option
 Example:
 6.MAS.2006A.25.NI.D30.LI = penta.furniture lock.2006A.25mm long.nickel plated.30mm backset.left hinged door

Please note that certain options, finishes and dimensions may be subject to extended factory lead times. Please contact our office via email on sales.uk@kaba.com or telephone (0) 870 000 5625.

¹⁾ Kaba gemini and Kaba quattro are only offered for existing master key systems.

²⁾ Kaba experT, Kaba maTriX and Kaba gemini T are only sold to authorized dealers.