



# Kaba registration unit 90 01

## The reliable access solution

The Kaba registration unit 90 01 is typically separately to the control unit. Regardless of the installation location, the respective unit can be installed in a tamper-proof area. Communication between the Kaba registration unit and the Kaba control unit is encrypted, offering a high level of security.

## Flexible installation

The compact structure and award-winning product design honor this registration unit from other ones. With the innovative quickwire technology, installation is quick and efficient. Upgrading from the registration unit 90 01 to 90 02 (with keypad), without rewiring thanks to the quickwire technology.

## Function

The registration unit is equipped with an RFID interface to identify employees. The visual and acoustic signalisation let users know if access has been granted or denied.

## Areas of application

The Kaba registration unit 90 01 is designed for harsh operating conditions and can be used in both inside and outside. The scratch-resistant surface, aesthetic design and complete product portfolio also protect your investment.

## Advantages at a glance

- > **Elegant design**  
Innovative product design in a compact structure
- > **Robust and durable**  
Suitable for outdoor use
- > **Easy to install**  
Quick 1-Click installation thanks to the quickwire technology
- > **Tamper-proof**  
Protected against sabotage thanks to the control unit installed in secure internal areas
- > **Convertible**  
Easy to convert to a recording unit with keypad
- > **Secure in the future**  
Ready for use with NFC-compatible devices

**Specification**

> **Innovative product design:**

The registration unit possesses an innovative design, comprising a silver frame and a high-gloss black front.

> **User prompting:**

An acoustic signal and a light symbol (green/red) indicate whether access has been granted or denied. Access media are held up to the light symbol, without contact.

> **Installation:**

The registration unit can be installed on various surfaces, including directly onto metal, in internal and protected external areas. It is designed for surface cable mounting using a spacer frame and flush cable mounting using a rear panel. This allows the registration unit to be installed directly onto the wall or using a flush mounting box. The quickwire technology makes installation quick and secure.

> **quickwire technology:**

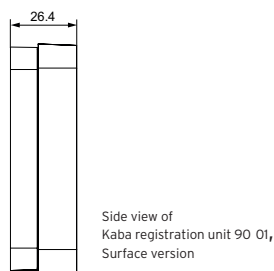
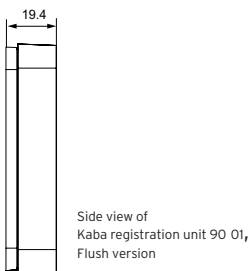
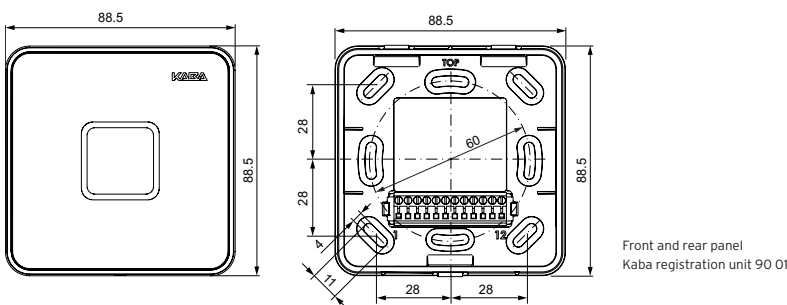
With the state-of-the-art quickwire technology, the entire wiring is separated from the electronics in the rear panel or spacer frame. The electronics are only clicked into the unit when it is commissioned - a practical concept that makes installation easier (1-Click installation).

> **Compatibility:**

The Kaba registration unit 90 01 operates using the following Kaba control devices:

- > Kaba access manager 92 00
- > Kaba remote reader 91 15
- > Kaba exos iDML2
- > Kaba exos DML2
- > Kaba exos LS-110

*The effective functions available for the product depend on the system context in which it is used.*



**Technical features**

**Terminal**

- > Communication via 50 Ω coaxial cable (RG 174/U recommended)

**Environmental conditions**

- > Temperature: - 25°C to + 70°C
- > Humidity: 0 to 95%, non-condensing
- > Protection class: IP54 (with rear panel & sealing mat) IP40 (with spacer frame)

**Design / material**

- > Rear panel/spacer frame: Material: PC/ABS Colour: RAL 9005 (black) RAL 9016 (white)
- > Frame: Material: PC/ABS Colour: RAL 9006, NCS S2502-B
- > Front: Material: Autotex polyester film in PMMA Colour: RAL 9005 (black) RAL 9016 (white)

**Dimensions**

- > With rear panel: 88.5 x 88.5 x 19.4 mm (W x H x D)
- > With spacer frame: 88.5 x 88.5 x 26.4 mm (W x H x D)

**Certificates / standards**

- > EN 301 489-1, EN 301 489-3, EN 300 330-1, EN 300 330-2
- > R&TTE 1999/5/EC

Further details and order information can be found in the relevant Kaba catalogues or system descriptions.



Certified Management System, ISO 9001, Reg No. 14572