



Kaba compact reader 91 10

Award-winning design and elegance

The Kaba compact reader 9110 with elegant high-gloss finish can be integrated harmoniously into existing buildings.

It is convenient to operate - as both visible and audible signals are used to confirm access. Simply present either a card, key fob or key with RFID transponder clip to the reader and enter.

Flexible integration

The Kaba compact reader 9110 can be integrated into all Kaba systems, regardless of whether they are operated online or stand-alone.

The quickwire connector simplifies installation and maintenance. The reader is simply clicked onto the pre-wired rear panel or spacer frame.

Areas of application

The Kaba compact reader 9110 fits onto any standard wall socket and is available in two designs:

- > with a spacer frame for use indoors (surface wiring) or
- > with rear panel and sealing pad for use in protected outdoor areas (undersurface wiring).

The Kaba compact reader 9110 can be used in many ways. It can be used either as a reader to regulate the organisation or for access control in conjunction with an access manager in protected areas.

Areas of application

- > Office buildings
- > Automatic doors
- > Lifts
- > Garage doors
- > Car park barriers
- > Entrance areas
- > Doors with motor locks

Advantages at a glance

- > **Elegant design**
Contemporary, award-winning design with a high-gloss finish
- > **Simple to install**
Thanks to quickwire technology, the reader can be plugged onto the base frame quickly and easily
- > **Retrofitting possible**
It is possible to use existing wiring
- > **Seamless integration**
Functions in Kaba Online, CardLink or stand-alone operation
- > **Safe investment**
Expandable, as it can be combined with a number of Kaba access systems
- > **Secure in the future**
Ready for use with NFC-compatible devices

Product specification

> **Intuitive user guidance:**

The RFID access medium is held in front of the reader unit. An acoustic signal and a light signal (green/red) indicate whether access is granted or denied. Access to the desired area can be made - whether through car park barriers, automatic sliding doors, lifts, barriers or doors with a motor lock or door opener.

> **Versatile:**

The Kaba compact reader 91 10 is mounted indoors or in protected outdoor areas. For example, with the optional Kaba CardLink function it can be used as a validation reader in entrance areas and new temporary authorisations saved directly to the card each day. Indoors, the reader is the ideal solution for lifts or sliding doors: access is controlled in an area- and time-specific manner.

> **Scalable use:**

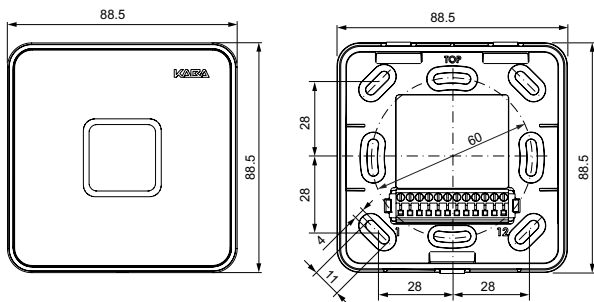
The compact reader is suitable both for individual access points and as part of a large system. Many firmware variants with different programming options are available, depending on size and requirements.

> **Adaptable:**

Quick and uncomplicated reader replacement in existing systems. Thanks to flexible firmware exchange, it can be integrated seamlessly into various Kaba systems.

> **A universal portfolio:**

Kaba's product range includes combinable products that share the same high-quality design.



Front and rear panel
Kaba compact reader 91 10



Side view of
Kaba compact reader 91 10,
type UP



Side view of
Kaba compact reader 91 10,
type AP

Technical features

Supported RFID technologies

- > LEGIC (advant & prime)
- > MIFARE (DESFire & Classic)

Design / material / dimensions

- > Subsurface mounted type UP (rear panel/sealing pad):
88,5 x 88,5 x 19,4 mm (W x H x D)
- > Surface mounted type AP (spacer frame): 88,5 x 88,5 x 26,4 mm
- > Front: PC plastic, non-scratch coating; colour: RAL 9005 jet black
- > Frame: plastic; colour: RAL 9006 white aluminium
- > Rear panel/spacer frame: colour: RAL 9005

Interfaces

- > RS-485: connection to host; galvanically isolated, differential
- > Two binary inputs: max. 5 VDC
- > 1 relay output: max. 34 VDC/60 W, max. 27 VAC/60 VA

Power supply

- > 12-27 VAC, 50/60 Hz or 10-34 VDC
- > Power consumption: typ. 1.2 W, max. 2.2 W
- > Clock operates max. 200 hours without power supply

Environmental conditions

- > Temperature: - 25 °C - + 70 °C
- > Protection class: UP design: IP54
AP design: IP40
- > Humidity: 0 - 95 %, non-condensing

Certificates / standards

- > EN 301 489-1, EN 301 489-3,
EN 300 330-1, EN 300 330-2
- > R&TTE 1999/5/EC, 2006/95/EC

Further details and order information can be found in the relevant Kaba catalogues or system descriptions.



Certified Management System, ISO 9001,
Reg. No 14572