



Kaba registration unit 90 04

Slim reader solution

The Kaba registration unit 90 04 can be harmoniously integrated into building structures. As part of the design award-winning Kaba product portfolio, it is supplied in an elegant high-gloss housing. Both a visual and audible signalisation indicate, whether access is granted.

Operation

Simply hold your badge, key fob or key with RFID to the registration unit, wait a moment and enter.

Function

The registration unit, together with the Kaba control devices (see <Compatibility>), form a secure and convenient solution for access control.

Areas of application

Thanks to the slim design, the Kaba registration unit 90 04 can be installed directly onto door frames out of metal, wood or plastic. The installation is straightforward - two screws and one boring - the cable can discreetly be integrated into the door frame.

Areas of application

The Kaba registration unit 90 04 offers a variety of applications:

- > External gates and gateways
- > Office buildings
- > Automatic doors
- > Elevators
- > Garage doors
- > Car park barriers
- > Entrance areas

Advantages at a glance

- > **Slim and compact**
Fits on smallest surface areas, directly onto door frames
- > **Watertight and weatherproof**
The device is equally suitable for outdoor use in harsh weather conditions
- > **Easy to fit**
The cable can be incorporated easily into the door frame; moulded cable outlet
- > **Flexible**
Compatible with existing Kaba MIFARE and LEGIC control units
- > **High security**
Processing unit in secure area - optionally available with sabotage contact
- > **Secure in the future**
Ready for use with NFC-compatible devices

Performance characteristics

> **Intuitive user guidance:**

The RFID access device is held in front of the registration unit. An acoustic signal and a light (green/red) indicate the access decision. Access to the desired area is permitted - whether through car park barriers, automatic sliding doors, lift, barriers or normal doors.

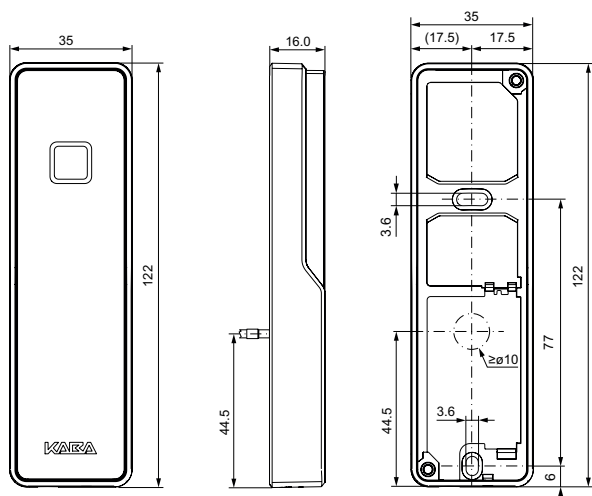
> **RRM concept (Remote Reader Module):**

- > Tamper proof: The registration unit is positioned away from the electronic reader. Regardless of the installation location of the registration unit, the control unit can be installed in a tamper-proof area. Optionally, the registration unit can be fitted with a tamper-proof contact so that in the event of vandalism an alarm can be triggered in the system.
- > Manipulation proofing: Communication between the registration units and the accompanying control unit is encrypted and offers the highest level of security.

> **Compatibility:**

- The Kaba registration unit 90 04 can be operated with different Kaba control units:
- > Kaba access manager 92 00
 - > Kaba remote reader 91 15
 - > Kaba exos iDML2
 - > Kaba exos DML2
 - > Kaba exos LS-110

The effective functions available of the product depend on the system context in which it is used.



Kaba registration unit 90 04

Technical specifications

Design/material/dimensions

- > 35 x 122 x 16 mm (W x H x D)
- > Front: PC plastic, non-scratch coating; colour: RAL 9005 deep black
- > Back panel: plastic, matt chrome-plated; colour: RAL 9006 white aluminium

Terminal

- > Moulded cable outlet, coaxial cable 50 Ω (RG 174/U); diameter: 2.8 mm
- > Cable length: choice of 8 or 30 m

Ambient conditions

- > Temperature: -25 °C to +70 °C
- > Protection class: IP66

Certificates/standards

- > EN 301 489-1, EN 301 489-3, EN 300 330-1, EN 300 330-2
- > R&TTE 1999/5/EG

Further details and order information can be found in the relevant Kaba catalogues or system descriptions.



Certified Management System, ISO 9001, Reg. No. 14572