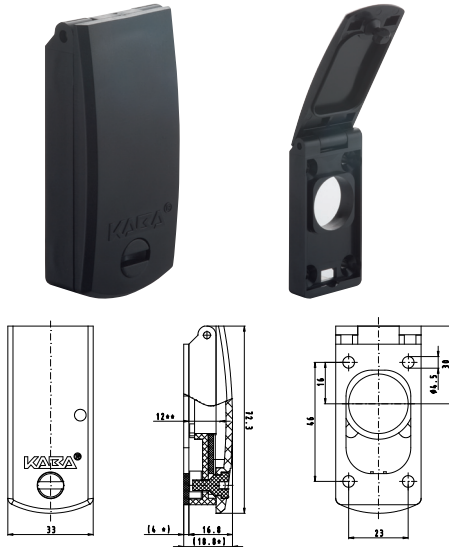


Camlock Accessories

BMZ.1031/1061

Article Number/
Order Code Description



11405061

Dust and Weather Cap 2030RZ

For camlock cylinders subject to weather. Protects the cylinder from the effects of weather and dust and helps to keep the cylinder in service longer. Easy installation with adhesive strip or with four screws. The cap can be opened and closed with a screwdriver. Bored for optional installation with four screws (screws not included)

Material: plastic, black

Adhesive strip, sticky on both sides included

* Dimension with seal not under pressure
** Max. cylinder standoff (without seal under rosette)



Order Code
2004

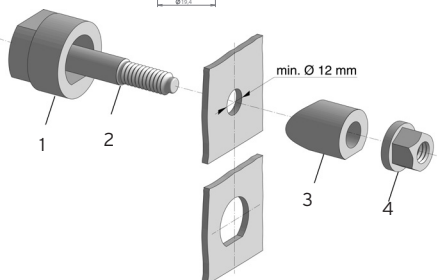
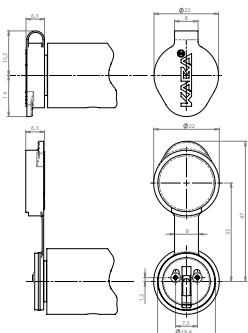
Modular Insert Dust and Weather Protection Cap 2004

For lock cylinders subject to weather. Protects the cylinder insert from the effects of weather and dust and helps to keep the cylinder insert in service longer. Installed in the factory with two screws on the face of the insert. The 2004 cap can be used with all cylinder profiles, camlocks, padlocks, key switch cylinders, etc.

Specification:

Material: plastic, black

Cap can be opened with the thumbtab and snaps closed.



11464197

Screw Punch Tool

Drawing No. 750 291

For punching holes for camlock cylinders 1031/1061
Suitable for material thicknesses up to 2 mm

- 1 Die plate
- 2 Guide shaft
- 3 Punch
- 4 Collar nut

Please note that certain options, finishes and dimensions may be subject to extended factory lead times. Please contact our office via email on sales.uk@kaba.com or telephone (0) 870 000 5625.

¹⁾ Kaba gemini and Kaba quattro are only offered for existing master key systems.

²⁾ Kaba expert, Kaba maTriX and Kaba gemini T are only sold to authorized dealers.