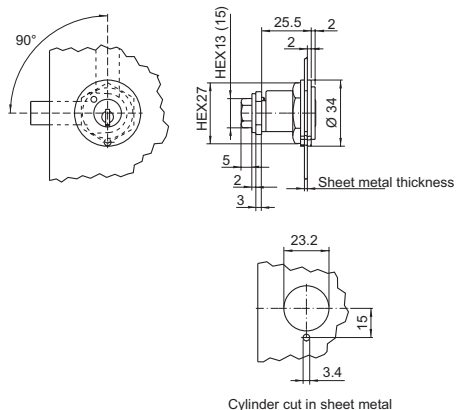
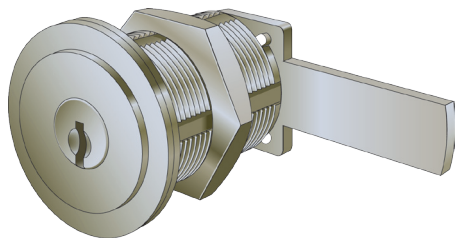


Camlock Cylinders

BMZ.1031GB/1061GB



Application:

For sheet metal doors 0.5 - 2 mm thick. The standard cam is suitable cam for right and left-hinged doors and for drawers. (Standard configuration: closing path A, see "Cam Settings" page 170)

Specification:

Housing supplied in solid natural brass with nickel plating

Zinc-coated stainless steel cam

Nickel-plated brass hex fastening nut

Reversible key made from nickel silver

Torque for hex nut M10 max. 8 Nm, for hex nut M23 max. 25 Nm

Type 1031 Key retraction when locked only, key rotation 90°

Type 1061 Key retraction when locked and opened, key rotation 360°

Included with the cylinder:

2 reversible keys (See "Special Functions and Keys" for key options)

Plastic key clip in dark red for Kaba penta, in dark blue for all other systems

1 Standard cam 1061-6ZK

1 Rosette 1031-29

Security Card for ownership registration and ordering duplicate keys

Installation and Maintenance Instructions

Premier Systems: **6** Kaba penta **7** Kaba quattro pluS **12** Kaba gemini pluS
S Kaba Star **Z** Kaba 20 **8** Kaba 8

Patent expired systems

Old systems

Dealer systems

Old dealer system

4 Kaba quattro S

3 Kaba quattro¹⁾

5 Kaba experT²⁾

2 Kaba gemini S

1 Kaba gemini¹⁾

19 Kaba maTriX²⁾

9 Kaba gemini T²⁾

Overall length 35.5 mm

Closing paths: A, B, E, F (See page K.169)

Options (See „Special Functions and Keys“ for details)

BAZ	Construction key	BAZ3	Construction key 3	BS2	Drilling protection
2004	Dust and weather cap	O.ZUB	Without accessories	O.RIEGEL	Without cam

Accessories		

Standard Surface Finishes (for lock cylinder)

NI - Nickel plated	MS - Brass natural	
--------------------	--------------------	--

Optional Surface Finishes

BH - brown light	MP - Brass polished	CR - Chrome standard
BM - brown medium	MSA - Brass antique	CRM - Chrom dull
BD - brown dark		CRP - Chrome polished
NIC - chemically nickel plated		
GO - gold plated		

Order Code System

System Code.Camlock.Type(Drilling protection).Surface finish.Cam.Option

Example:

6.BMZ.1031GB.NI = penta.camlock.1031GB.nickel plated (with standard cam 1061-6ZK)

Please note that certain options, finishes and dimensions may be subject to extended factory lead times. Please contact our office via email on sales.uk@kaba.com or telephone (0) 870 000 5625.

¹⁾ Kaba gemini and Kaba quattro are only offered for existing master key systems.

²⁾ **Kaba experT, Kaba maTriX and Kaba gemini T are only sold to authorized dealers.**