

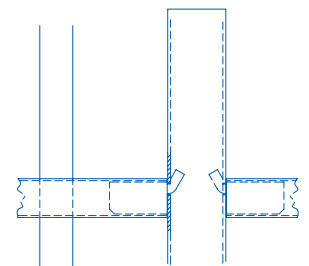
SENTRY® SR1

Jacksons
Guaranteed Quality since 1947



Jacksons Sentry® SR1 system offers a security rated vertical bar stopped pale-through-rail solution with a flat top rail which provides a flat top rail suitable for a wide variety of security toppings. Its simple minimalist design is equally appropriate for contemporary or more traditional settings and is a great alternative to traditional physical security measures whilst providing improved boundary security.

- LPS 1175 SR1 Approved
- Secured by Design Preferred Specification
- Seamless, concealed vandal proof rail to post fixing
- Anti-climb design
- Fully welded pale-through-rail construction
- Double row of 25mm high sharp-pointed steel double comb for additional security comes as standard
- 25-year service life guarantee



Post to panel fixings

APPLICATIONS

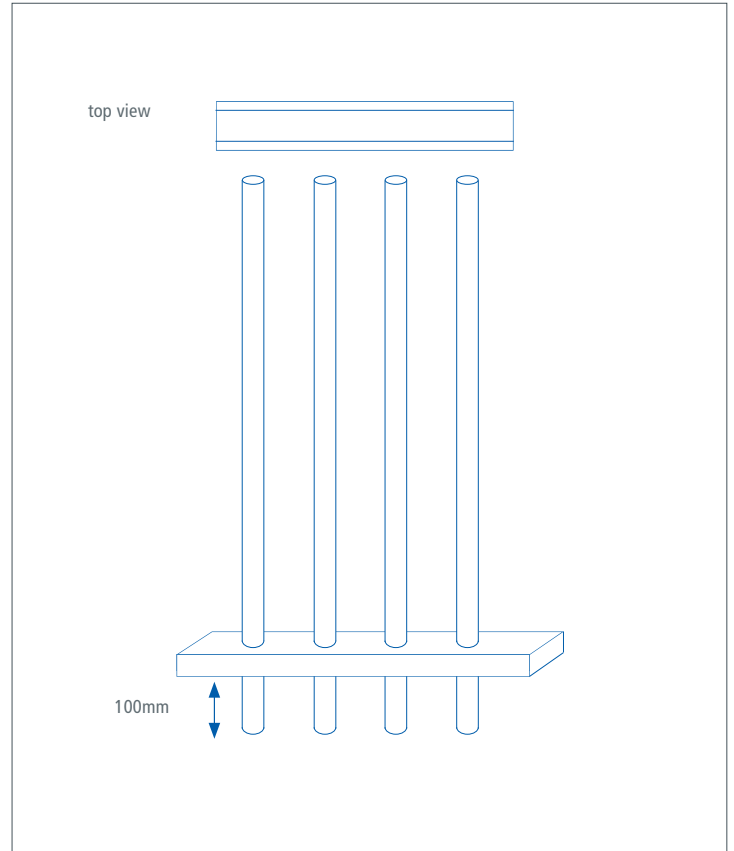
- ✓ Medium risk
- ✓ Perimeters
- ✓ Commercial premises

PANELS

Sentry® panels up to 3000mm high have two horizontal rectangular hollow section rails 60 x 40mm (3 rails if 3000mm high); Vertical round hollow section 32mm pales are passed through the rails with standard spacing at 129mm centres. Panels from 1500mm high have a security comb (double row of sharp steel points 23mm x 2mm thick).

GATES

SR1 gates available



HEIGHT (MM)	POST CENTRES (MM)	POST DIMENSIONS (MM)	OVERALL POST LENGTH (MM)
1800	3000	60 x 60	2500
2000	3000	60 x 60	2800
2500	3000	80 x 60	3300
3000	2484	80 x 60	3800

FINISHES

- Hot dip galvanised to BS EN ISO 1461 as standard
- Hot dip galvanised and powder coated to BS EN 13438
- Marine coat for installations within 500m of salt water or an estuary

STANDARD COLOURS

- Black RAL 9005
- Green RAL 6005
- Other colours are available on request

APPROVALS

LPS 1175 SR1

