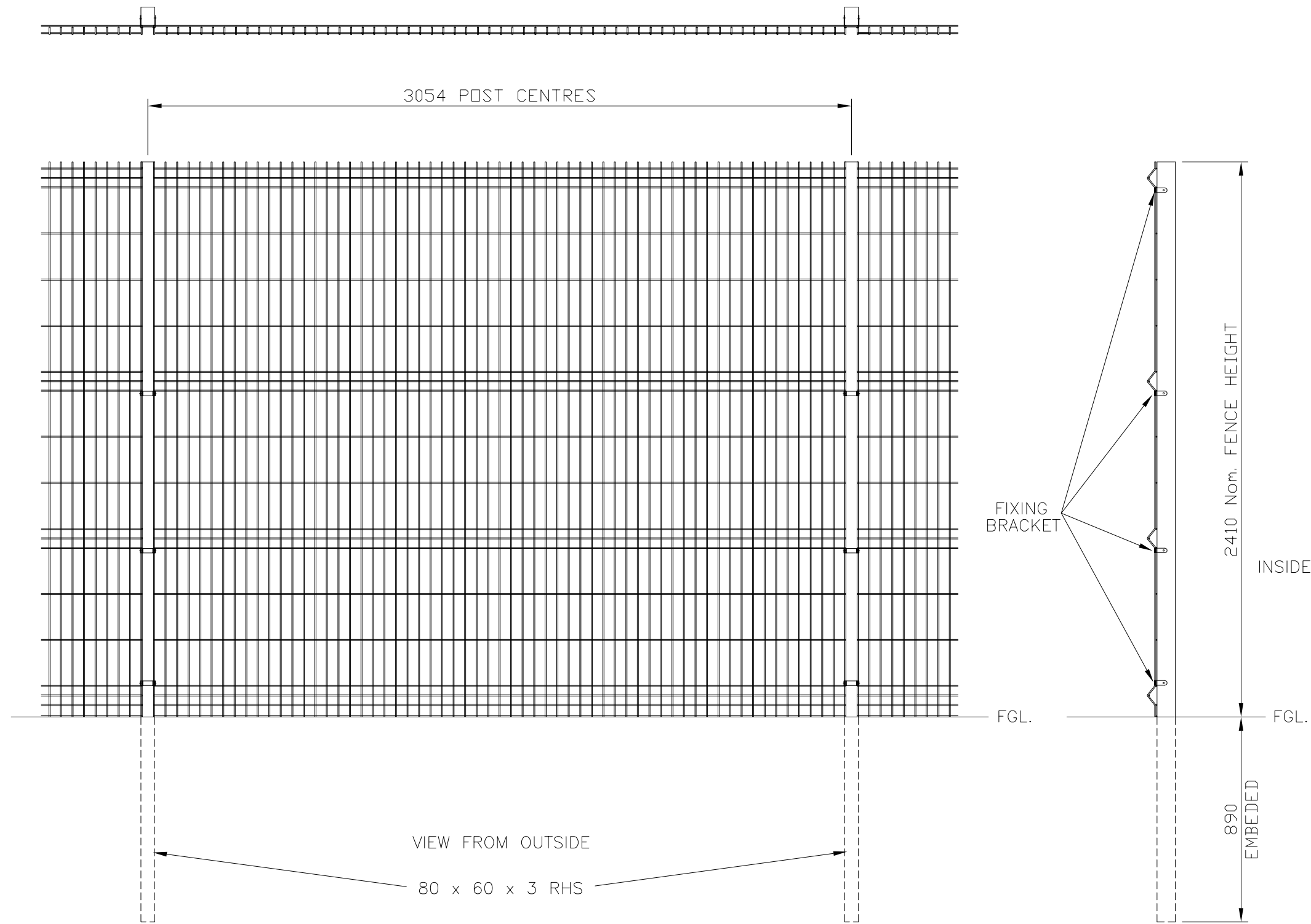


DO NOT SCALE – IF IN DOUBT ASK



NOTES.

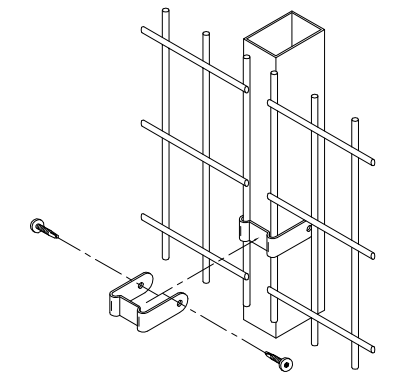
ALL DIMENSIONS ARE IN mm (U.N.O)
GAPS UNDERNEATH GATES & FENCING
ARE NOMINAL DUE TO GROUND LEVELS.

Materials.

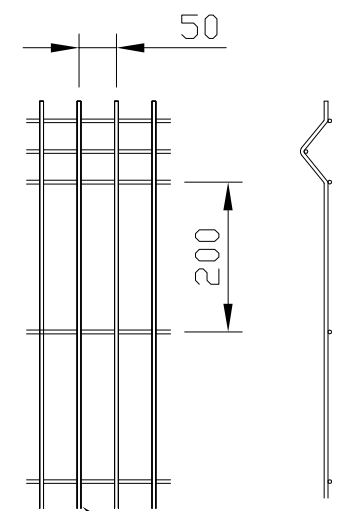
FENCE POSTS – 80 x 60 x 3 RHS

Finish.

GALVANISED TO BS EN ISO 1461:1999
POWDER COATED: IF REQUIRED



FIXING BRACKET
DETAIL



MESH DETAILS

Jacksons
FINE FENCING

Stowting Common
Near Ashford,
KENT. TN25 6BN
Telephone : 01233 750393
Fax: 01233 750403
Int. Tel : +44 (0)1233 750393

4	25/02/11	50mm Wire Centres
3	04/01/10	Panels Corrected
2	10/11/09	SHEET No.
1	29/09/08	Panel Width Now 3m
0		Original Issue

Drawn	S.Leeper
Date	15/06/06
Checked	Chris J
Size	A3
Scale	N.T.S U.O.S

TITLE SALES DRAWING FOR REGULAR
2.4mH EUROGUARD FENCING

CUSTOMER
ACK No.

Drawing No.
J6/01058
Sheet 4 of 4

This Drawing Is The Property Of H.S. Jackson & Son (Fencing) Ltd.
And May Not Be Copied Or Reproduced In Any Way Without Prior Written Permission.