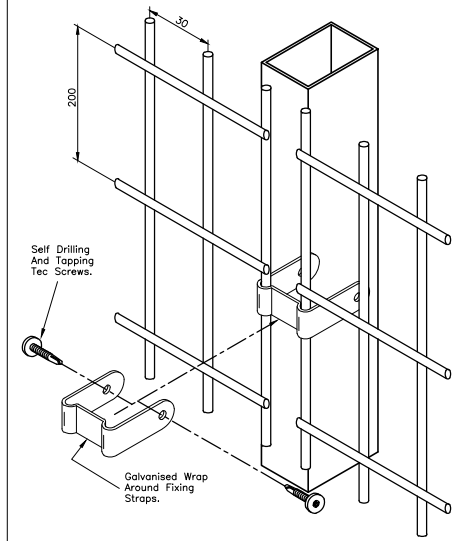
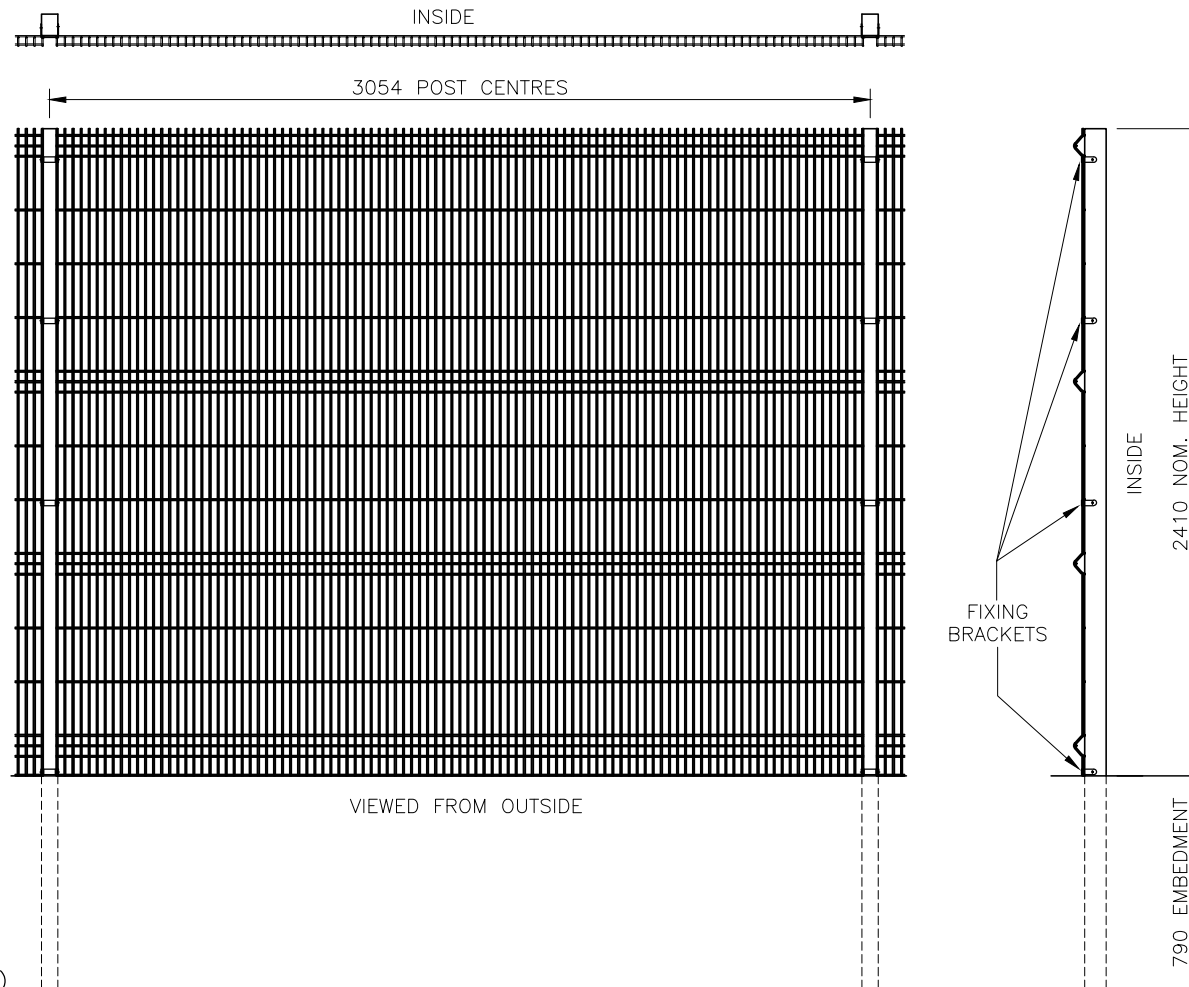
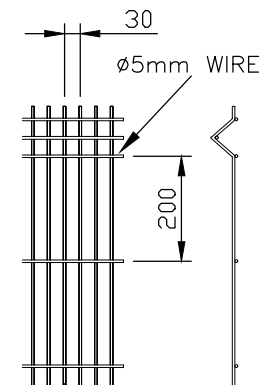


DO NOT SCALE – IF IN DOUBT ASK



FIXING DETAILS



MESH DETAILS

NOTES.

ALL DIMENSIONS ARE IN mm (U.N.O)
GAPS UNDERNEATH GATES & FENCING
ARE NOMINAL DUE TO GROUND LEVELS.

Materials.

FENCE POSTS – 80 x 60 RHS
HORIZONTAL WIRES – ø5mm
VERTICAL WIRES – ø5mm

Finish.

GALVANISED TO BS EN ISO 1461:1999
POWDER COATED: IF REQUIRED

Jacksons
FINE FENCING

Stowting Common
Near Ashford,
KENT. TN25 6BN
Telephone : 01233 750393
Fax: 01233 750403
Int. Tel : +44 (0)1233 750393

This Drawing Is The Property Of H.S. Jackson & Son (Fencing) Ltd.
And May Not Be Copied Or Reproduced In Any Way Without Prior Written Permission.

- ③ 14/11/15
- ② 25/03/11
- ① 12/01/11
- ① 19/06/06

Mesh Detail Added
80 x 60 Posts
UPDATED TO CURRENT DETAILS
Original Issue

Drawn S.Leeper	TITLE	SALES DRAWING FOR 2.4mH EUROGUARD EXTRA FENCING	
Date 19/06/06	CUSTOMER	Drawing No.	
Checked	ACK No.	J6/01059	
Size A3	Scale 1:20 U.O.S	Sheet 2 of 2	