

Barbican

Vertical Bar Railings | Jacksons Security

Jacksons Fencing
Stowting Common | Ashford | TN25 6BN
www.jacksons-security.co.uk
+44 (0) 1233 750 393

Jacksons
Quality that lasts
Fencing & Access Solutions



Pales cut at 45° angle



Concealed fixing

Applications

- ✓ Parks ✓ Schools ✓ Residential
- ✓ Demarcation ✓ Low - Medium Risk ✓ High Risk

Gates

Matching gates are available in swing, cantilever sliding and tracked in either automated or manual operation. Please ask for specifications and details.

High Security Upgrade

Upgrade the security with adding of our security topping for detection systems, please ask a sales advisor for more information.

Specify us, register online to download detailed and specific drawings and diagrams of our security products

Standards

- 100mm pale spacing complying with Building Regulations for anti-trap

Finish Options

- Post, pales and rails are galvanized to BS EN1461 as standard
- Galvanized and powder coated to BS EN 13438 in one of our standard colours at extra cost
- Powder coating to non standard BS or RAL to special order
- Marine coat coating for applications near salt water (optional extra)

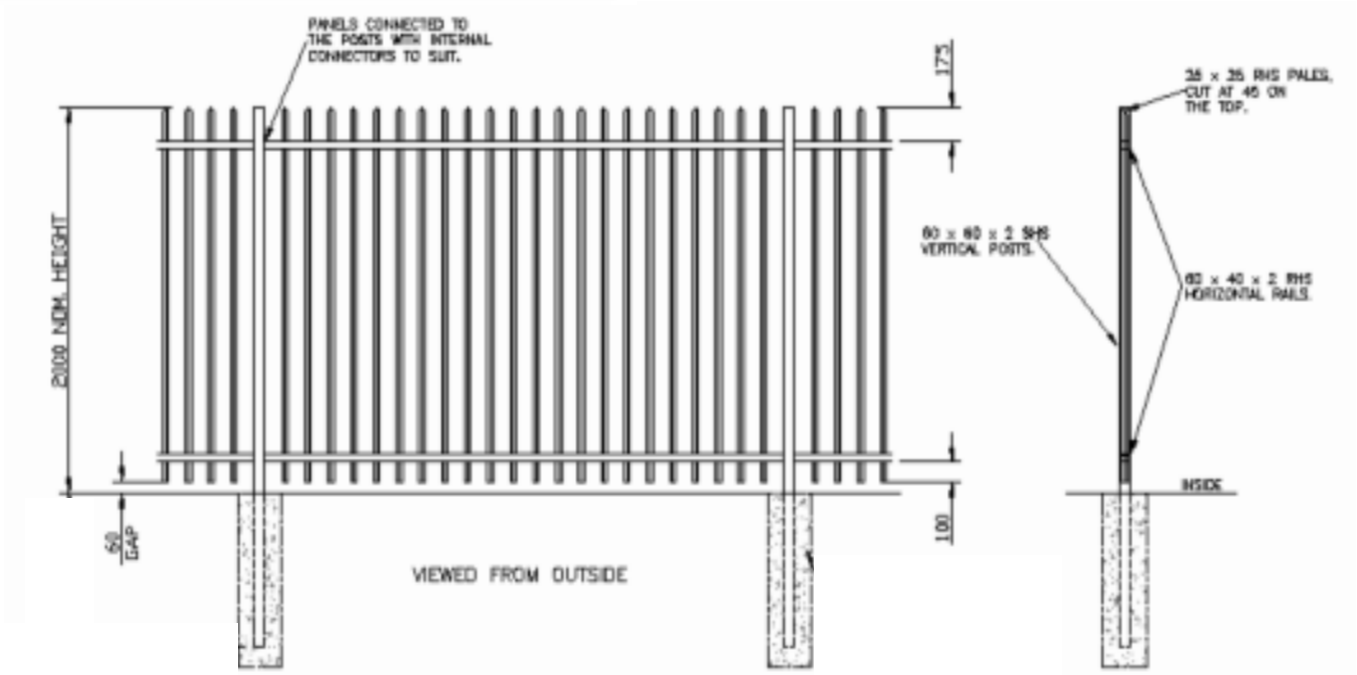
Installation Options

- Cranked posts bolted to wall
- Base plated posts
- Clad with mesh
- Sheeted

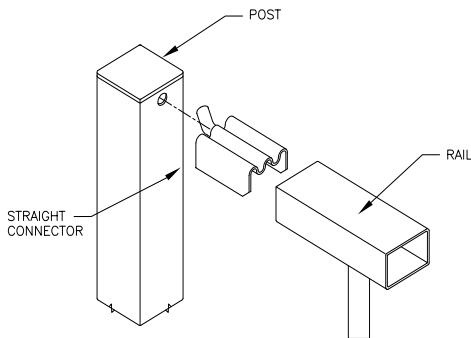


Barbican

Specifications and Technical Data



Straight Connector Detail



Finial options



Standard Dimensions

Height	Pales	Post Centre	Post Size	Foundation Sizes (mm)	
				Set in Concrete (L x W x D)	Base Plated (L x W x D)
1.0m	25 mm square pales	3.0m centres	60 x 60mm	180 x 180 x 600	300 x 300 x 150
1.25m	25 mm square pales	3.0m centres	60 x 60mm	180 x 180 x 700	300 x 300 x 230
1.5m	25 mm square pales	3.0m centres	60 x 60mm	180 x 180 x 800	300 x 300 x 250
1.8m	25 mm square pales	3.0m centres	60 x 60mm	180 x 180 x 800	300 x 300 x 250
2.0m	25 mm square pales	3.0m centres	60 x 60mm	200 x 220 x 800	300 x 300 x 350
2.5m	25 mm square pales	3.0m centres	80 x 60mm	250 x 250 x 800	350 x 300 x 430
2.9m	25 mm square pales	2.4m centres	80 x 60mm	300 x 250 x 900	350 x 300 x 610
3.0m	25 mm square pales	2.4m centres	80 x 60mm	300 x 250 x 900	350 x 300 x 610



Jacksons
Quality that lasts
Fencing & Access Solutions