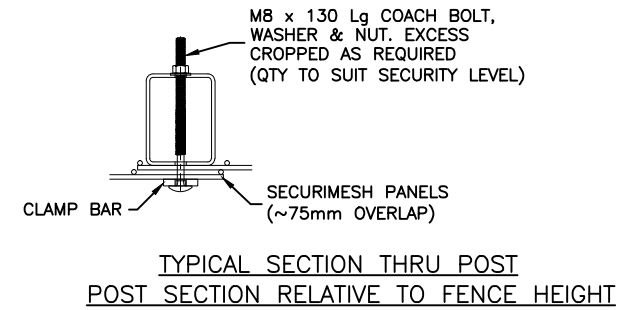
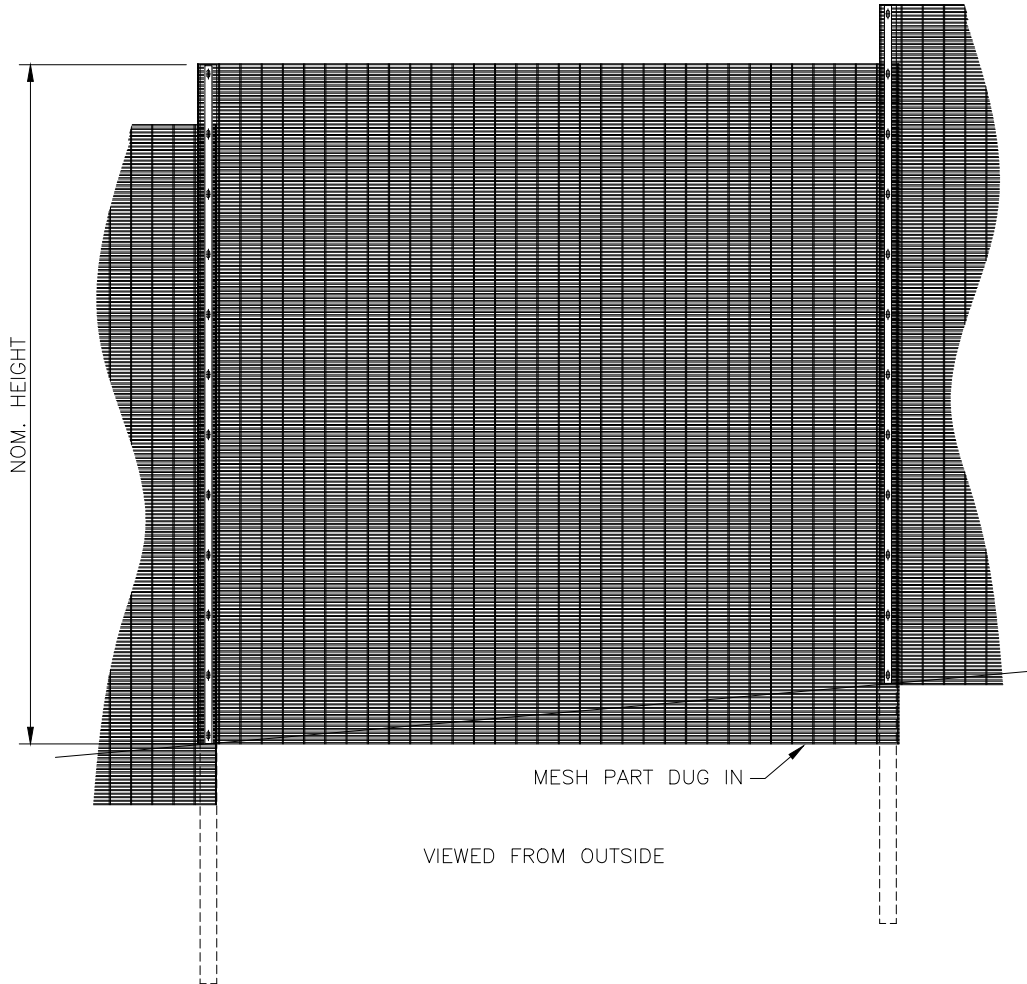
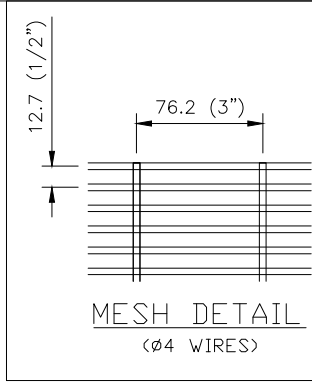
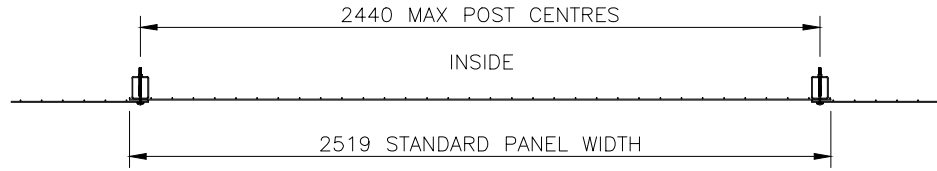


DO NOT SCALE – IF IN DOUBT ASK



NOTES.

ALL DIMENSIONS ARE IN mm (UNO)
 GAPS UNDER GATES & FENCING
 ARE NOMINAL DUE TO GROUND LEVELS.
 FENCE POST: SHS TO SUIT REQ'D HEIGHT
 MESH PANEL: Ø4 WIRE
 WIRE CENTRES: 76.2 (3") x 12.7 (1/2")
 CLAMP BARS: 30 x 6 M.S. FLAT BAR

TUBES, RAILS, PALES & POSTS UPTO
 60 x 60 x 2 etc M.STEEL ERW to BS.
 EN 10305 PT 3/5 E220 + CR2 + S1
 BLACK MATERIAL
 GATE POSTS & POSTS LARGER THAN
 60 x 60 x 2 EN 10219 - S235JR
 ANGLE IRON & FLAT BAR BS EN 10025
 - S275JR
 CHANNELS etc BS EN 1002 - S275JR
FINISH.
 GALVANISED TO BS EN ISO 1461
 POWDER COATED: IF REQUESTED

Jacksons
FINE FENCING

Stowting Common
 Near Ashford,
 KENT. TN25 6BN
 Telephone : 01233 750393
 Fax: 01233 750403
 Int. Tel : +44 (0)1233 750393

② 03/02/15
 ① 28/01/14
 ① 06/12/12

Post Ctrs and Overlap
 General Material Notes
 Original Issue

Drawn WB
 Date 06/12/12
 Checked
 Size A3
 Scale 1:20 U.O.S

TITLE
 SALES DRAWING FOR
 SECURIMESH FENCING – STEPPED
 CUSTOMER
 Drawing No.
 J6/04030
 SHEET 7 OF 7
 ACK No.