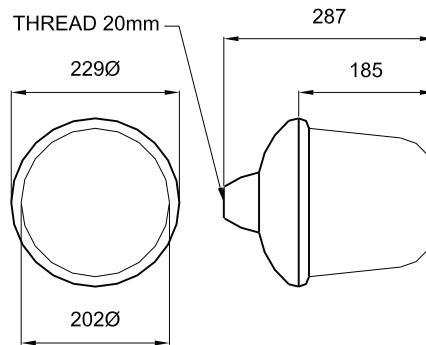


pw & sw

All luminaires in this group have die-cast aluminium metalwork, 20mm threaded entries and sealing gaskets. B.22d BC lampholders as standard with E.27 ES as option. Standard finishes Grey Gloss or Black Textured with White Textured as option.



PW.15 (polycarbonate)



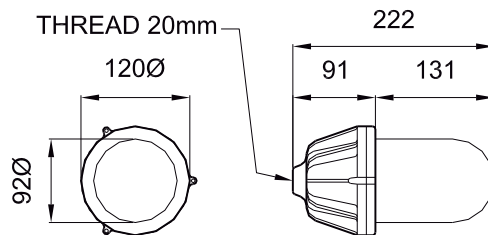
IP.53

IK.10

Order references (select from *)									
Ftg*	Lamp Opt.	Ref*	Finish	Ref*	Diffuser	Ref*	Circuit	Ref*	Entry
PW.	150W to 200W Max.	15/	Grey Gloss Black Text. White Text.	G/ B/ W/	Clear Prism. Opal Prism. Secret head screws Key for secret head screws WS.7115	CL/ OP/ CL.SS/ OP.SS/	BC ES	BC/ ES/	Top 20mm



SW.10 (glass)



IP.65

Order references (select from *)									
Ftg*	Lamp Opt.	Ref*	Finish	Ref*	Diffuser	Ref*	Circuit	Ref*	Entry
SW.	100W Max.	10/	Grey Gloss Black Text. White Text.	G/ B/ W/	Clear Glass	CL/	BC ES	BC/ ES/	Top 20m



GLS/ES A60 FROSTED



GLS/ES A60 CLEAR



GLS/BC A60 FROSTED



GLS/BC A60 CLEAR



White



Black



Grey