

Compact Fluorescent

sp



SP



SP Emergency

All metalwork in pressure die-cast aluminium alloy, pretreated and polyester powder coated in a variety of colours. Black textured as standard with white textured/gloss or bronze as options.

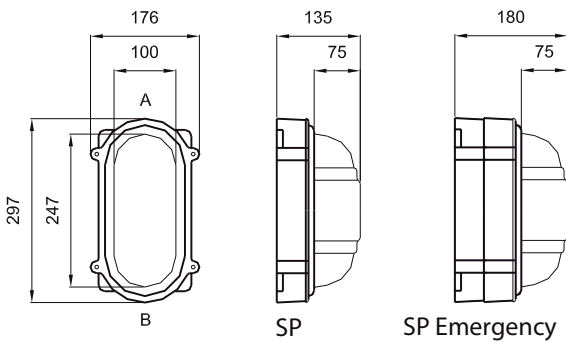
Clear glass diffuser sealed to retaining bezel with silicon sponge seal to case. Pearl glass option.

HF and EHF ballast as standard with fused plug and socket connector mounted to gear plate and reflector chassis assembly - finish white gloss. Emergency 'piggy back' version for linear lamps.

Cable entry 20mm threaded (AB) with back entry by knock-out complete with B.S. box mounting, luminaire fixed to mounting surface via 4 corner fixing holes.



SP Maintained Emergency luminaires installed throughout an entertainment centre



Order references (select from *)										
Ftg*	Lamp Opt.	Ref*	Finish	Ref*	Diffuser	Ref*	Circuit	Ref*	Entry	Ref*
SP.	7W PL 9W PL 26W PLC 32W PLC	7/ 9/ 126/ 132/	Black Text. (Standard) Bronze White Text. White Gloss Grey Gloss	B/ BZ/ W/ WG/ G/	Clear Prism Pearl Prism. Secret head screws Key for secret head screws	CL/ P/ CL..SS/ P.SS/ WS.7115	HF+Lamp EHF+Lamp	HF+L/ EHF+L/	AB 20mm Back by knock out	AB BKko
	emergency 7W PL Maint. 9W PL Maint. 26W PLC Maint. 32W PLC Maint.	7-3M3+PB/ 9-3M3+PB/ 126-3M4+PB/ 132-3M4+PB/								

Example : SP, 26W PLC, Black Textured, Clear Glass, with lamp lamp, Back entry - Code = SP.126/B/CL/HF+L/BKko

SP, 26W PLC, 3Hr. Maint., Black Textured, Clear Glass, with lamp lamp, AB entry - Code = SP.126-3M4+PB/B/CL/HF+L/AB

FREE LIGHTING
DESIGN SERVICE



PL



PLC

IP.65



Black



Bronze



White



Grey