

stûv *30-compact*

Subtle curves, pure heat

30

compact

Stûv Stories +Stûv 30-compact

Optimum
performance
and amazing
adaptability

stuv.com

Stûv Stories

Welcome to the world of Stûv! Our products provide ways to layout and rearrange your interior. The story that they tell is straightforward and warm, simple and efficient. A story where appearance is functional and where objects blend into the architecture. Quality and perfection are the watchwords at Stûv. To improve is to simplify. This means humanising design. It also means constant innovation until a perfect harmony is found between pleasure and respect for the environment. Stûv is a state of mind.

Stûv Stories +Stûv 30-compact

Compact, simple
and uncluttered



Model shown: Stûv 30-compact H



Stûv Stories +De Stûv 30-compact

Versatility,
adaptability, subtlety

With its exceptional versatility, the Stûv 30-compact meets all the expectations of a low-energy home or a compact dwelling. Flush-fitted stove, wood-burning stove, fitted fireplace: there is always a Stûv 30-compact which is a perfect match for what you're looking for. As a bonus, you get an unrestricted view of the fire and high performance, thanks to an advanced combustion system.

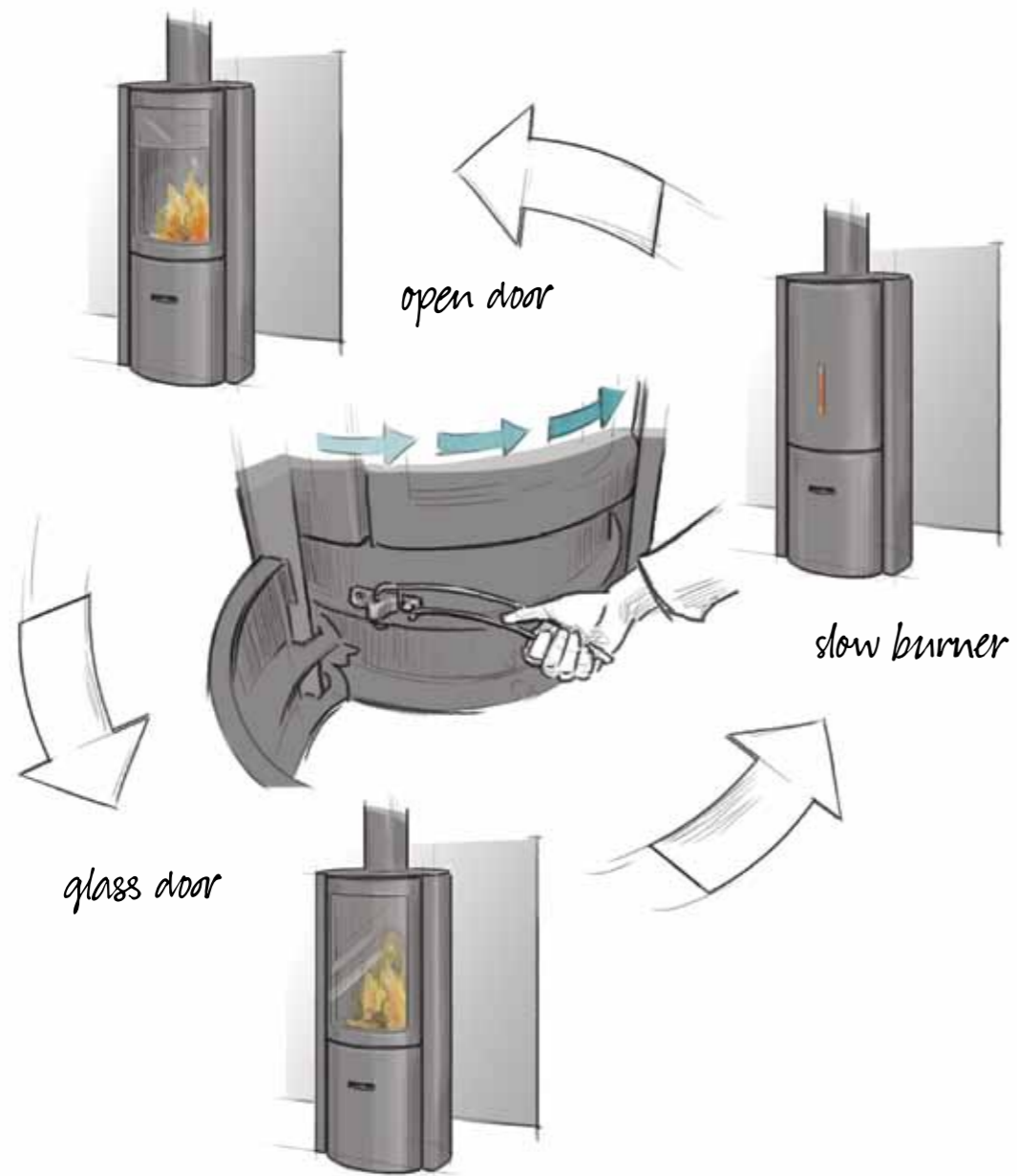


the beauty of
functional
design

 Stûv Stories

Three doors, three moods

Changing mode takes only a few seconds: all that has to be done is to rotate the drum of your Stûv 30—compact until the required door is located in front of the stove's opening. The glass door gives a great view of the flames, making sure that the stove is safe and eco-friendly while saving you money, thanks to its excellent performance. The full door slows the fire down and optimises performance. Open-fire mode allows you to get the full benefit of the crackling flames, the smell of the wood ... and even a barbecue!



Stûv Stories +Stûv 30. The luxury of choice

- + Glass door: watch the flames in complete safety
- + Slow burner: optimise performance
- + Open door: enjoy the complete authenticity of the fire



glass door

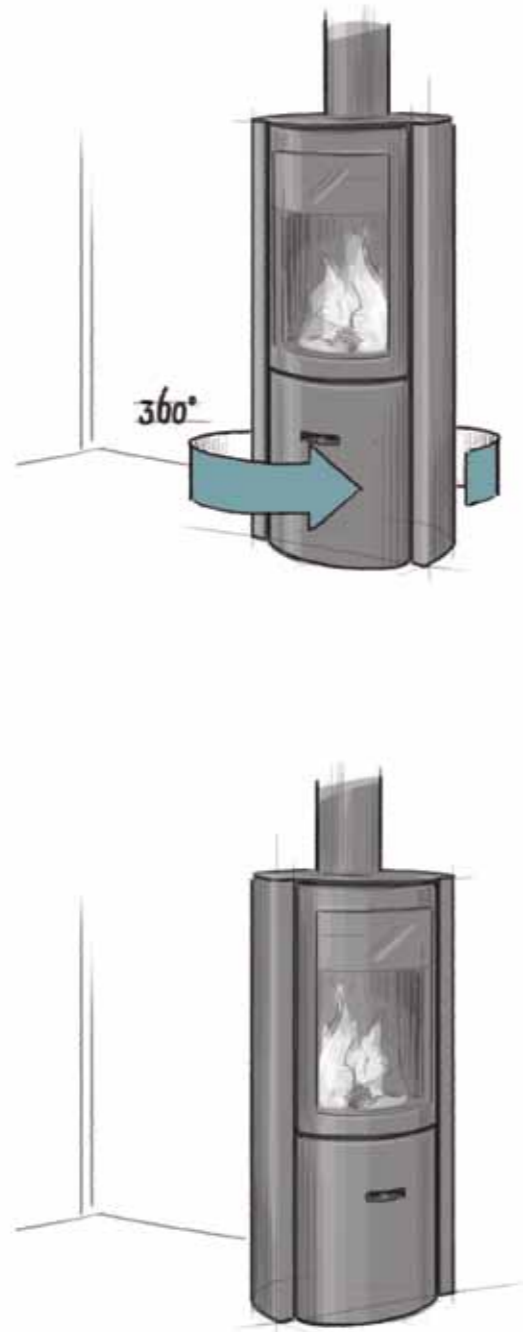
slow burner

open door

Enjoy 360% of benefits

In order to take maximum advantage of the enveloping heat and the unrestricted view of the flames, the Stûv 30-compact can be installed on an invisible swivel base. So, for example, you can direct the stove toward the lounge, and then towards the dining room.

+ Convenient option for the Stûv 30-compact and 30-compact H: a swivel base to direct the stove



Stûv Stories +Stûv 30-compact

Technical expertise
and attention to detail

Stûv Stories +Stûv 30-compact

Revolutionary...
three functions
and intelligent
management of
combustion air

- + Three modes of operation
- + Ability to be connected to the outside air
- + Revolving base integrated
- + Option: ground plate





Stûv Stories +Stûv 30–compact H

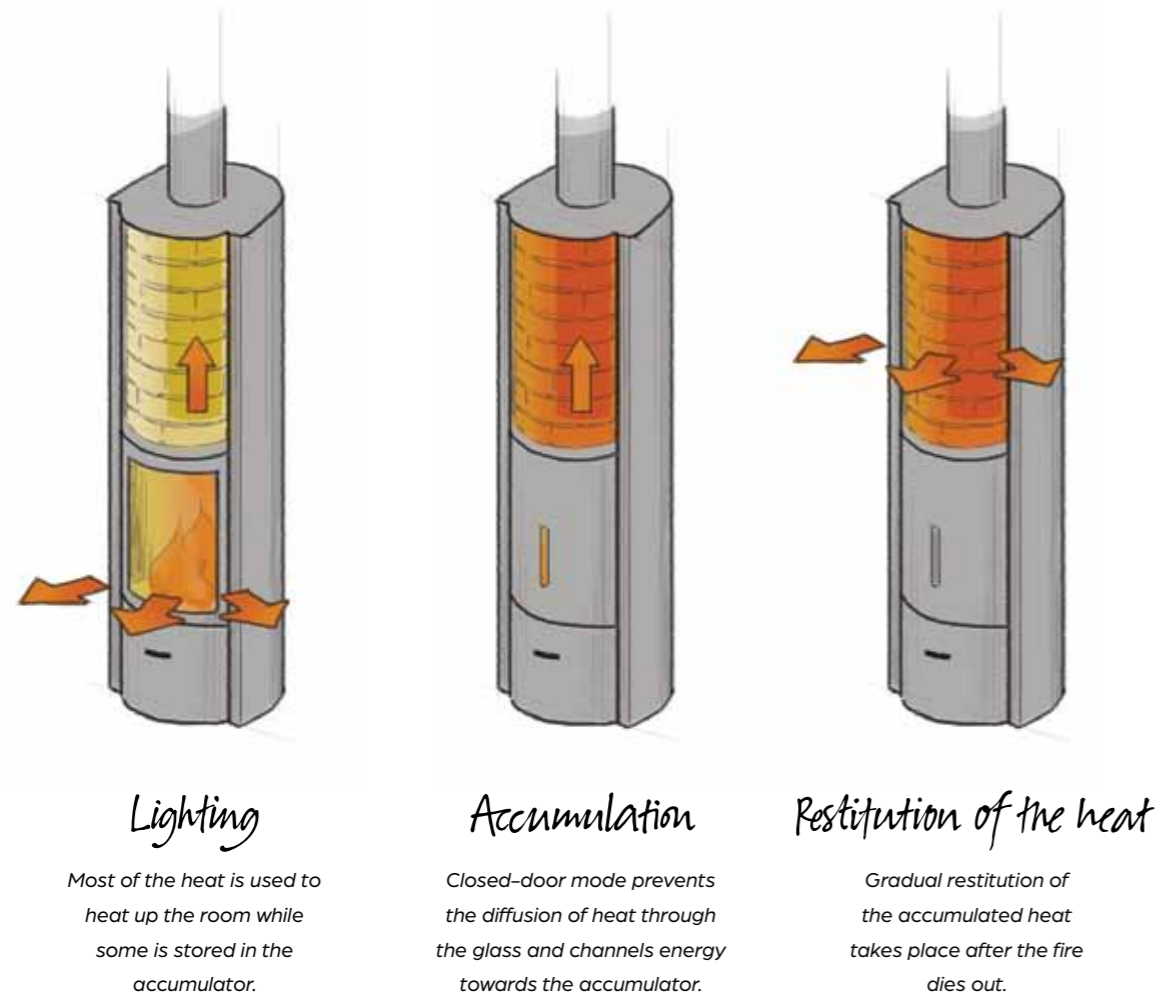
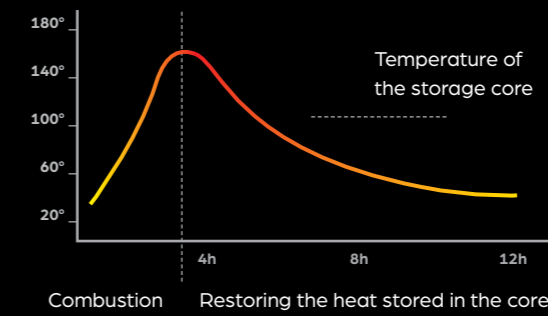
- + Three modes of operation
- + Ability to be connected to the outside air
- + Optional accumulation system
- + Revolving base integrated
- + Option: ground plate

The highest form of accumulation

The Stûv 30–compact H fits perfectly into the Stûv 30 line, the first stove to offer three usage modes. It still remains revolutionary today, with its three doors that rotate to match your mood. The glass calls you to admire the entrancing spectacle of the flames. Without glass, the open fire allows you to enjoy the crackling of the fire which puts out a pleasant heat. Finally, with a closed door, you get gentle heat throughout the house. It's not at all complicated to change usage mode: all you have to do is rotate the door of your choice in front of the stove opening. The Stûv 30–compact H, with its exceptional performance, is also suitable for small-size dwellings.

Stûv Stories +Stûv 30-compact H with heat storage

The Stûv 30-compact H can be equipped with a storage core which stores a portion of the heat. Once the stove goes out, the stored energy continues to disseminate over several hours, therefore extending the feeling of warmth and well-being.





- + Three modes of operation
- + Ability to be connected to the outside air
- + Air-funnelling option
- + Fan option
- + Option: ground plate

Stûv Stories +Stûv 30-compact in B

Simple flush-fitting, with subtle curves, well-matched and customised, so that fire and heat fit snugly into your home. The effect is the same whether you live in a low-energy or a small house.

Matches the
conviviality of
your house

Stûv Stories +Stûv 30–compact in R

- + Three modes of operation
- + Height adjustable according to height of the ceiling
- + Ability to be connected to the outside air
- + Air-funnelling option
- + Fan option
- + Option: Ground plate

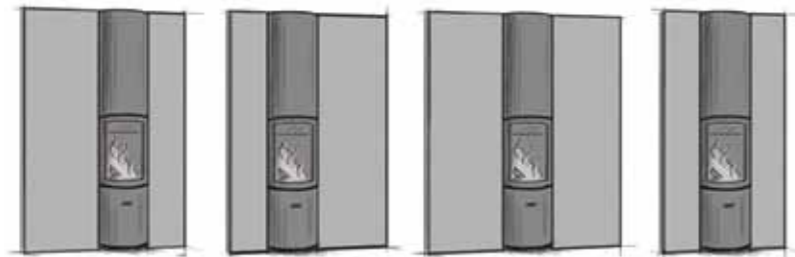
Infinite heat options

Thanks to its tall lines, you can accentuate the slender appearance of the Stûv 30–compact in by extending its line up to the ceiling. A vertical design which lends a spacious effect to your interior. Functional and good-looking... your guests will be jealous!



Stûv Stories +Stûv 30—compact in façades

- + Three modes of operation
- + Four configurations
- + Broad palette of colours
- + Ability to be connected to the outside air
- + Air-funnelling option
- + Fan option
- + Option: ground plate



Configurations



Perfection
and purity ...
a successful
marriage

Stûv Stories +Stûv 30—compact in corner solution

- + Three modes of operation
- + Broad palette of colours
- + Ability to be connected to the outside air
- + Fan option
- + Option: Ground plate

Heat where you
want it, how
you want it

There's a Stûv 30 for every home. There is even a corner model!
Further proof of the versatility of the Stûv 30—compact family.

Stûv Stories +Stûv 30-compact in Ready-to-Fit fireplaces

Quick and easy to install, the fireplace adapts to your taste with several choices of colours and sizes. Moving is not a problem: your fitted Stûv 30-compact in fireplace follows you to your new home!



Configurations

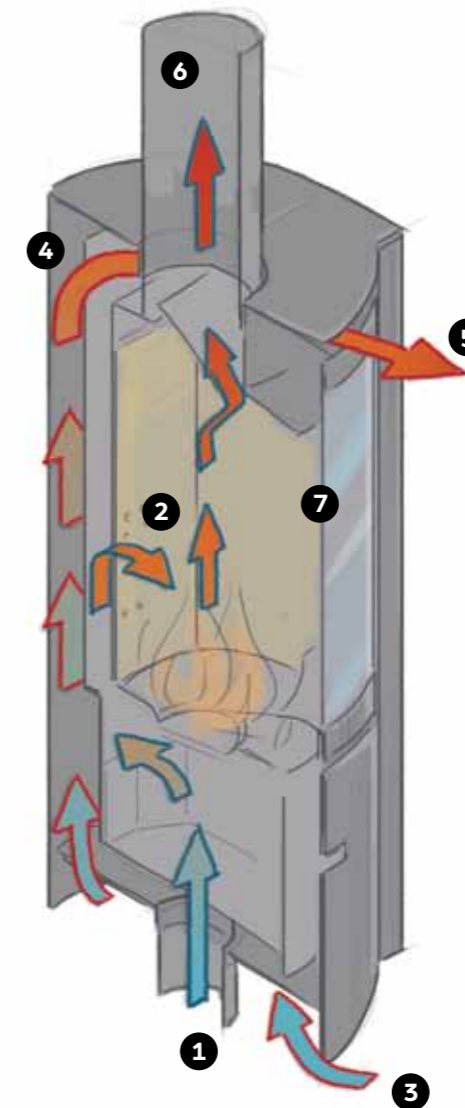


- + Three modes of operation
- + Four configurations
- + Broad palette of colours
- + Ability to be connected to the outside air
- + Fan option
- + Option: Ground plate



Stûv Stories +Stûv 30-compact

A new era,
innovative
solutions



Combustion technique and air circulation Stûv 30-compact

1. Combustion air.
Illustration with direct air intake under the stove. The outside air intake can also be located at the rear of the stove.
2. Combustion.
The air intake, the combustion chamber and smoke exhaust form an airtight system.
3. The air is taken into the room then heated by the stove.
4. The hot air is exchanged with the convection air which flows along the combustion chamber.
5. Hot air is circulated in the room by natural convection.
6. Smoke is evacuated through the chimney. Illustration with high outlet. Rear outlet possible.
7. The window cleaning system involves an air supply that takes flue gasses away from the glass. This means that you can have flickering flames at all times.



Stûv Stories +Stûv barbecue

Would you like to feel like you do in the summer all the year round? Now it's possible! Cooking food is healthier with the Stûv barbecue, as it is placed in front of the flames and not above the embers. Kebabs, sausages or fish is cooked in this way by radiation and not likely to get burnt by the drops of grease which flare up when they come in contact with burning charcoal. Installing the grille on the stove is child's play and, so that nothing spoils your pleasure, the chimney draught sucks away all the smells!

When the outside
beckons you inside

Stûv Stories +Stûv mobilobox and log trolley



- + Mobilobox: everything is to hand (matches, maintenance products, barbecue kit, kindling etc.)
- + Practical log trolley, with simple and sleek lines: an essential accessory for all Stûv stoves.



Stûv 30-compact technical information

Technical characteristics	30-compact	30-compact H	30-compact in
weight kg	114	124 (+151)	125
nominal heat power kW	6	6	6
optimum output range kW	3-9	3-9	3-9
efficiency %	80	80	81
CO emissions %	0,09	0,09	0,05
particle emissions* mg/Nm ³	18	18	34
range of wood consumption** kg/h	0,8 - 2,5	0,8 - 2,5	0,8 - 2,3
length of logs V/H - cm	40/25	40/25	40/25
outside air intake ø mm	63	63	63
patent	1130323	1130323	1130323

Options	30-compact	30-compact H	30-compact in
+ 3 modes of operation	s	s	s
+ turntable	s	s	-
+ barbecue kit	o	o	o
+ ground plates	o	o	o
+ smoke outlet upwards	s	o	s
+ smoke outlet to the rear	-	o	-
+ outside air connection	o	o	o
+ heat accumulator	-	o	-
+ electric ventilation	-	-	o
+ ashtray	s	s	s

* measurement method in accordance with DIN +

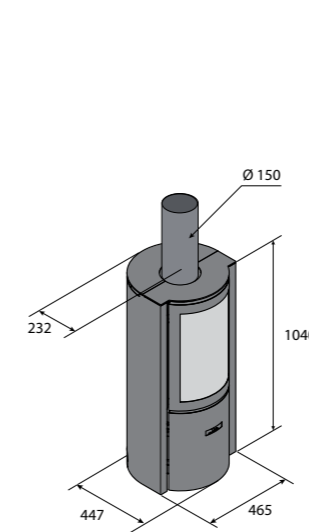
** at 12 % humidity

V/H vertical position/horizontal position

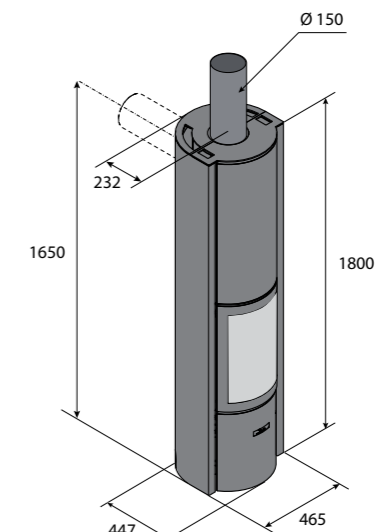
o optional

s standard

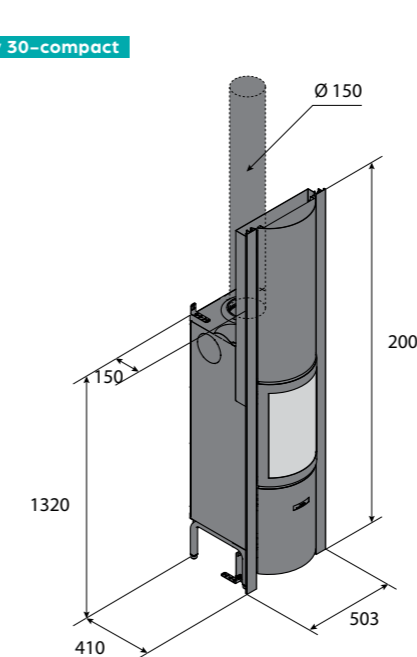
- not available



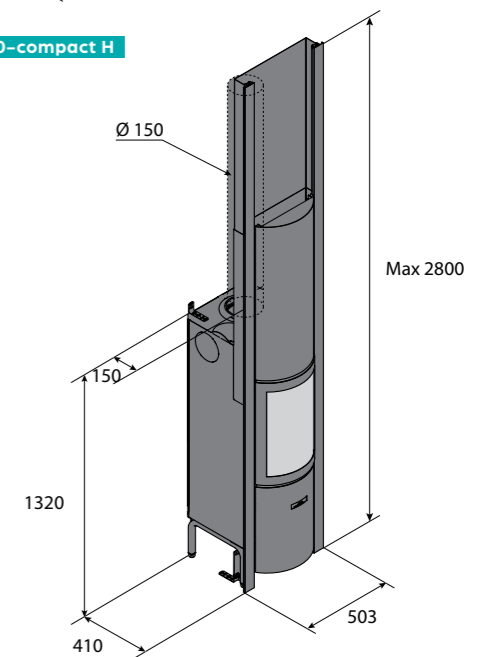
Stûv 30-compact



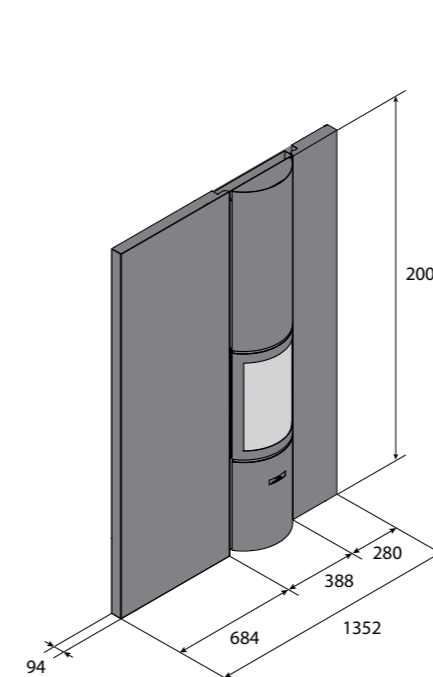
Stûv 30-compact H



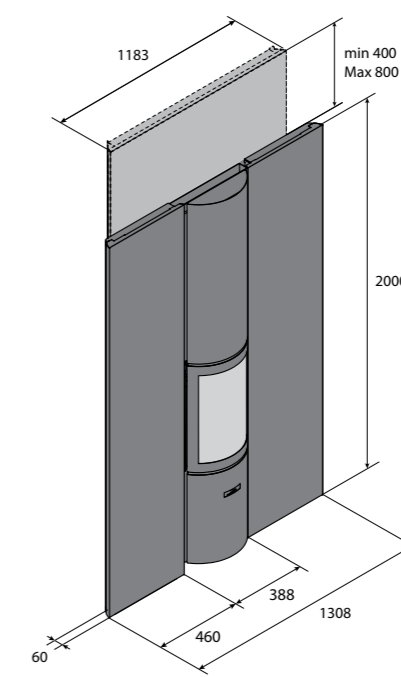
Stûv 30-compact in B



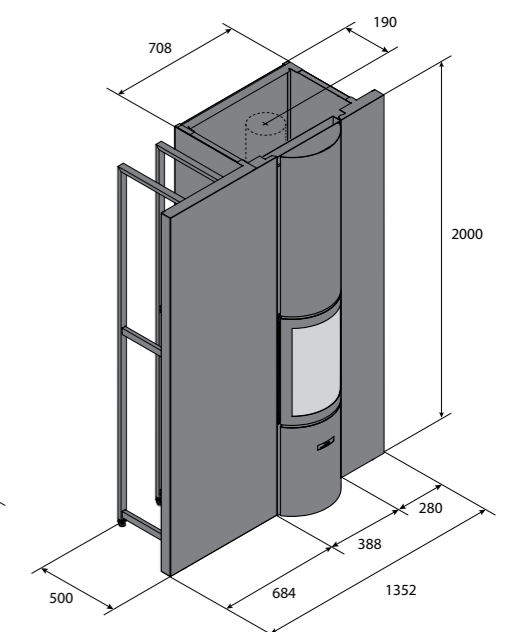
Stûv 30-compact in R



Stûv 30-compact in façades



Stûv 30-compact in corner solution



Stûv 30-compact in ready-to-Fit fireplaces

The constant search for improvement...

Stûv invests enormously in research and development in both its own laboratory and thanks to its partnerships with specialists in the field of combustion. Each detail is important in optimising the performance of the stove. Stûv devices meet the most stringent standards in terms of respect for the environment. We prioritise ergonomics and simplicity at all stages – installation, use, maintenance – so that every user can use their Stûv exactly how they want it. This is the reason we provide detailed installation instructions, we select our sales network and organise training sessions for our retail and installations partners.

The Stûv guarantee

- + Stûv fireplaces are renowned for their design and performance. They are also solid, reliable and durable.
- + The fireplaces and their components are made in Europe with the utmost care. A well-maintained Stûv fireplace is for life.
- + This is why Stûv offers the users of its products an extended guarantee. Three years' guarantee in addition to the legal guarantee.
- + In total, 5 years on the body of the fireplace, 3 years on the electrical components and 3 years on the other components.

What do you need to do to benefit from this extended guarantee?

Complete the guarantee form that you will find at the end of the user manual and return the hard copy to Stûv or – the easier option – complete the online form at stuv.com.



All Stûv fireplaces are designed to burn wood with a humidity level of less than 20 %.

All Stûv fireplaces were tested according to EN 13240 CE and EN 13229.

Complies with standards :

Stûv 30-compact, Stûv 30-compact H, Stûv 30-compact in : Flamme Verte 7* (FR), BlmSchV 1 & 2 (DE), LRV (CH),

DIN+ (EU), BE Phase 1, 2 & 3 (BE), Art. 15A B-VG (DE), defra (UK), VKF (CH), The Nordic Swan

Colophon

design Brigitte Boits

photography François Chevalier

styling Edith Vervest

copy JP Nieuwerkerk

communication manager Serge Alhadeff

responsible editor Gérard Pitance

Documents and photos are for information purposes only. Stûv reserves the right to make changes without warning. Every care has been taken in the preparation of this brochure; however, we do not accept any responsibility for any mistakes that it may contain.

Stûv 16

Pure simplicity

Stûv 21

A fireplace both open and closed

Stûv 30

Subtle curves, endless possibilities

Stûv 30-compact

+ Subtle curves, pure heat

Stûv microMega

micro volume inside,
Mega view of the flames

Stûv stoves are distributed by :

Stûv stoves are designed and
manufactured by: **Stûv nv**
rue Jules Borbouse 4
B - 5170 Bois - de - Villers
Belgium
t +32 (0)81 43 47 96
info@stuv.com
stuv.com

Join us on :



stûv