

# DANISH HEATING IDEAS 2017 2018



■ IDENTITY	4
■ SCAN 80 <b>NEW</b>	6
■ SCAN 5000 <b>NEW</b>	8
■ SCAN 66 <b>IN COLOURS</b>	14
■ SCAN 65 LOW BASE <b>NEW</b>	18
■ SCAN 65	18
■ SCAN 68 LOW BASE <b>NEW</b>	25
■ SCAN 68 <b>IN COLOURS NEW</b>	26
■ SCAN 83 <b>IN COLOURS NEW</b>	32
■ SCAN 85	38
■ SCAN 45	42
■ SCAN 1001 AND SCAN 1002	44
■ SCAN 1010	46
■ SCANDSA 4-5	48
■ SCANDSA 12	50
■ BEFORE BUYING A WOOD-BURNING STOVE	52
■ ENVIRONMENTAL CONSIDERATIONS	54
■ ACCESSORIES	55
■ TECHNICAL SUMMARY	56

Scan constantly works to improve its products as much as possible. We reserve the right to make technical changes and change colours and accessories without prior notice. Several of the stoves in this catalogue are illustrated with extra equipment.

# DANISH HEATING IDEAS



# WARMING IDEAS

Ever since the company was founded in Odense in 1978 we at Scan have focused on offering our customers the best wood-burning stoves on the market, paying particular attention to design, innovation and user-friendliness. For us it is not just about warmth, but about delivering a perfect flame, enclosed in a design-conscious piece of furniture to suit the majority of homes. The combination of Danish design, brave ideas and an eye for detail has turned Scan into a leading brand in wood-burning stoves.

## INNOVATION AND NEW THINKING

For Scan heating is more than just a practical or aesthetic matter. We see our stoves as innovative pieces of furniture that suit a modern lifestyle. Through creativity, an eye for detail and the courage to try out new ideas we have pushed ahead and shown the way both in terms of user-friendliness and the environment. Scan was the first to introduce sliding doors, glass with a 90 degree angle and glass handles for inserts.

## DANISH DESIGN

Denmark has a rich design tradition, which Scan is a part of. We exclusively use Danish designers to create our stoves, thus ensuring totality and the right expression. Consequently, you can always recognise Scan by the clean lines, which are typical of good Danish design.

We also have a tradition of setting new standards and our designers approach every challenge with the aim of creating something new. This has meant that Scan has constantly gained international recognition and we have won several design awards for our workmanship.

## IT'S ALL ABOUT THE DETAIL

At Scan we are focused on the details and put our soul into even the smallest things. With our critical eye and constant search for perfection, we have created revolutionary forms and technical solutions for the benefit of our customers.

By integrating the handles in the design and ensuring easy operation, we have combined form and function. This is one of many examples of what we call a 'smooth finish'.



## YOUR NEW FLAME

Enjoying the warmth from a perfect flame behind the stove's glass is the ultimate form of relaxation and enjoyment.

Our design process always focuses on creating extremely beautiful images of the flame and the best view.



Harrit & Sørensen



## SCAN 80 NEW

## EXCITING SHAPES

Scan 80 is shaped like a beautiful prism and boasts a 180° view of the flames. Being true to the Danish handicraft tradition, the handle has been hidden inside the unit in an elegant way to give it a clean and stylish look.

Scan 80 Corner can, as the name suggests, be installed in a corner to hide away the chimney in the High Top module. The result is an elegant installation where the unit is a classic centrepiece and an icon in your living area.

The tall version of Scan 80 provides room for heat accumulating stones that will retain and give off heat for up to 12 hours after leaving the fire to dwindle. Read more on page 53.

SCAN 80-1



SCAN 80-2 WITH DOOR IN THE BASE



SCAN 80-3



SCAN 80-4 WITH DOOR IN THE BASE



You can choose between a base with or without a door or High Top with extra heat storage.

• Weight: 105 / 110 kg • Effect: 3-8 kW • 84 % efficiency • Heats up to 300 m<sup>3</sup>

• Energy Class: **A+**





Scan 80-2



Scan 5001



## SCAN 5001 NEW

# VERTICAL HEAT

Scan 5001 is a vertical insert with a large glass front and black frame. The large flame image will be the dominant focal point of any room. The insert door is elegantly opened with a stylish handle.



Scan 5001 has a glass front and vertical flame image.

- Weight: from 105 kg • Effect: 3-8 kW
- 84 % efficiency • Heats up to 260 m<sup>3</sup>
- Energy Class: **A+**



Scan 5002



## SCAN 5002 & 5003 **NEW**

# WIDE VIEW

The Scan 5002 and 5003 models offer the possibility for both standard installation and corner installation. The 600mm wide front provides an amazing view of the flames.



■ Scan 5002 has a glass front and a horizontal view of the flames

- Weight: from 117 kg • Effect: 3-8 kW
- 83 % efficiency • Heats up to 260 m<sup>3</sup>
- Energy Class: **A+**



■ Scan 5003 is an insert made for corners and also has a horizontal view of the flames

- Weight: from 115 kg • Effect: 4-10 kW
- 85 % efficiency • Heats up to 340 m<sup>3</sup>
- Energy Class: **A+**

## SCAN 5004 NEW

## GLASS ON THREE SIDES

The large burn chamber accommodates wood logs of up to 50cm. The light burn plates in chamotte provide a bright look and an airy feeling. The insert door is a guillotine door with a soft close mechanism. It opens elegantly by pulling up. This fireplace insert is suited for custom designed and brick masonry surrounds.

SCAN 5004 FRL



Scan 5004 is a large insert with glass on three sides that will be the dominant feature in a room and provide a sense of luxury.

- Weight: from 210 kg • Effect: 3,5-12 kW
- 83 % efficiency • Heats up to 380 m<sup>3</sup>
- Energy Class: **A+**





Scan 5004



S SCAN 66 NEW

# EXCITING NEW FINISH OPTIONS

The beautiful Scan 66 combines elegance with function and aesthetics.  
The curved base now also comes in a glossy white colour.



Scan 66-5



Scan 66-1

SCAN 66-1



SCAN 66-2



SCAN 66-4





## SCAN 66

# EXCITING NEW COLOURS

Celebrated Danish designers, Harrit and Sørensen have again delivered a playful design with innovative features. The organic shape creates a beautiful frame around the fire and the view to the flames is maximized through the use of a glass log retainer. Hang it on the wall or choose from three different leg options.

The Scan 66 series also has a new colour option that will give your room a unique and softer feeling – the modern dusty green.

SCAN 66-5 DUSTY GREEN NEW





SCAN 66-5 WHITE DECOR NEW



SCAN 66-5 WHITE BASE NEW



Choose from black, white or dusty green paint, wall fitting or one of the three different leg options.

- Weight from 90 kg • Effect: 3-7 kW
- 78 % efficiency • Heats up to 260 m<sup>3</sup>
- Exempt for burning wood in DEFRA smoke controlled areas 
- Energy Class: 



Scan 65-2 Low Base



# FUNCTIONAL WOODSTOVES

The Scan 65 series has been expanded with new Low Base models. They have a functional and compact design which makes them ideally suited for installation in smaller rooms. These models are perfect if you're looking to create a light and airy interior.

Scan 65 Low Base is available with or without glass on the sides and comes in black or grey paint.

SCAN 65-1 LOW BASE



SCAN 65-2 LOW BASE




SCAN 65-1



SCAN 65-2



- Weight: 115-123 kg • Effect 3-8 kW • 79-82 % efficiency • Heats up to 300 m<sup>3</sup>
- Exempt for burning wood in DEFRA smoke controlled areas 
- Energy Class: without side windows **A+** with side windows **A**

\*Pictures may show added extras, not included in the price of the stove.

Scan 65-1 and 2 are a medium-sized stove with large glass door, providing a perfect view of the flames. The stoves are available with or without side glass. The Easylock system allows the door to close by itself without you having to turn a handle (not on Low Base models).



With the unique heat storage system\* the stove stays warm long after the fire has gone out. When you light up, open the top valve to quickly release hot air into the room and when the room reaches a comfortable temperature, close the top valve and store the heat in the heating storage system.

The clean lines and the tall design give you a warming furniture that fits any existing decor, regardless of style.

Scan 65-9 and 10 High Top are available with or without side glass.



SCAN 65-9 HIGH TOP



SCAN 65-10 HIGH TOP



SCAN 65-6 BAKING COMPARTMENT



SCAN 65-5 BAKING COMPARTMENT



■ Weight: 152-247 kg • Effect 3-8 kW • 79/82 % efficiency • Heats up to 300 m<sup>3</sup>

- Exempt for burning wood in DEFRA smoke controlled areas 
- Energy Class: without side glass  with side glass 

Cosy heat combined with the aroma of freshly baked bread. This taller model of the Scan 65-series has a baking compartment integrated above the burn chamber. Which is perfect for preparing smaller dishes. The temperature can reach up to 300°C.

The baking compartment is enamelled and has a glass bottom plate that makes it easy to clean.

Read more about the advantages of Scans heat storage system and heat-accumulating stones on page 53.



Scan 65-6



Scan 65-8



Scan 65-7 and 8 presents a beautifully proportioned soapstone column of a stove, with a great view to the flames. Sandstone or soapstone options are integrated in the stove to retain its pure expression and accumulates heat\* when the fire is burning and slowly release it back into the room as comfortable, radiant heat when the fire is out.

Scan 65-3 and 4 has sandstone or soapstone discretely integrated in the shape to keep the clean expression.

\*Read more about the advantages of Scans heat storage system and heat -accumulating stones on page 53

SCAN 65-3 SANDSTONE



SCAN 65-4 SOAPSTONE




SCAN 65-7



SCAN 65-8



■ Sandstone is made of compacted sand, stones and minerals. It is coloured by these components and the stone parts can vary in shades of colour. Aluminum handles and soap stone top are optional extras. The Easylock system allows the door to close by itself without you having to turn a handle.

- Weight: 123 - 180 kg • Effect 3-8 kW • 79-82% Efficiency • Heats up to 300 m<sup>3</sup>
- Exempt for burning wood in DEFRA smoke controlled areas 
- EnergyClass: without side glass **A+** with side glass **A**

\*Pictures may show added extras, not included in the price of the stove.



SCAN 68 LOW BASE **NEW**

# BEAUTIFUL HEAT



Scan 68-13 Low Base



SCAN 68

# WHAT'S YOUR FLAVOUR?

These are the brand new colour options for the entire Scan 68 series. We have added tasteful shades of champagne, silver and glossy white to the wide selection, so now you have a total of five colours to choose from.

NEW COLOURS



Champagne  
NEW!



Glossy white  
NEW!



Silver  
NEW!



Grey



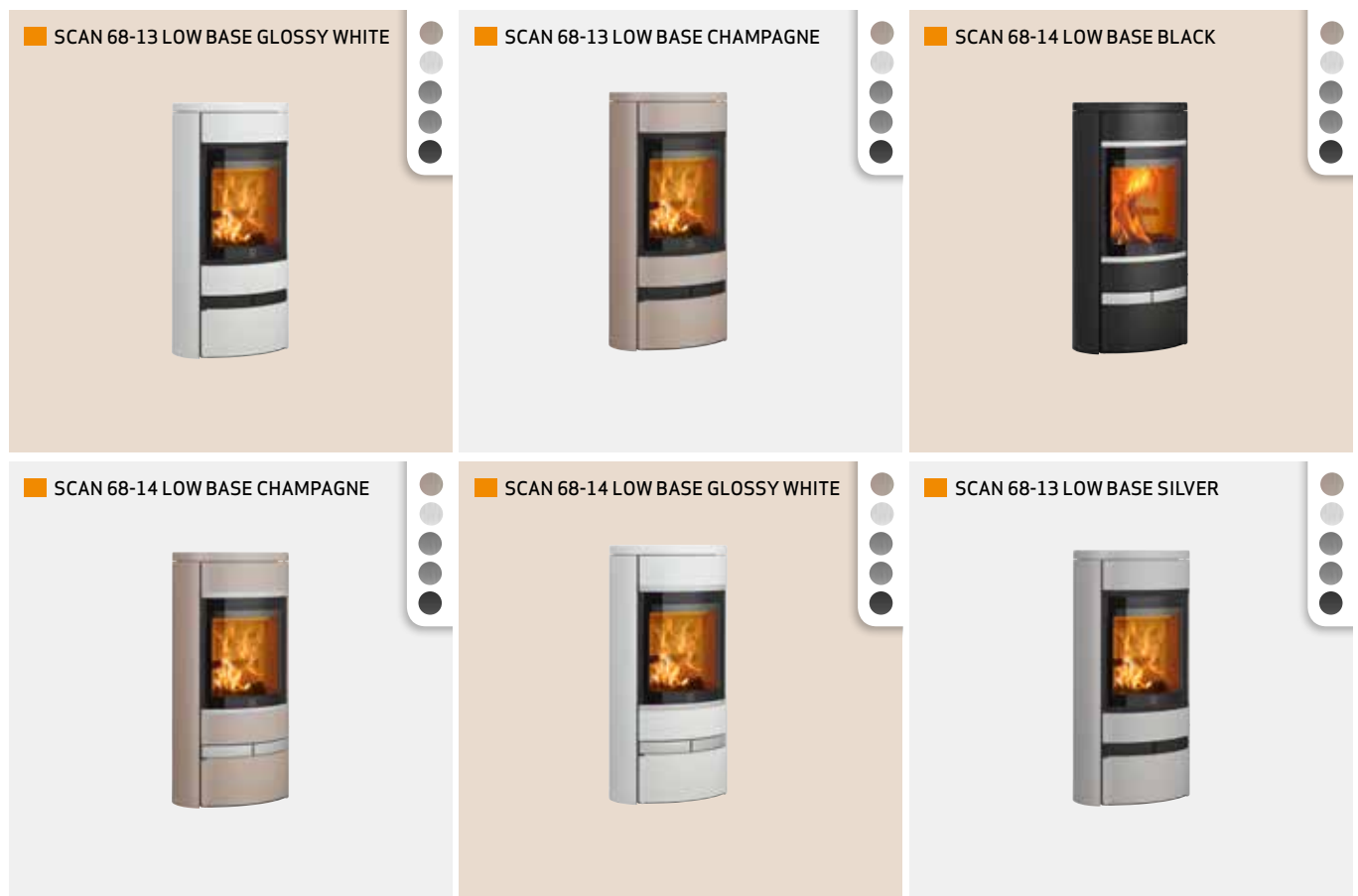
Black





# COMPACT HEATING

Scan has had great success with the Scan 68 series that we expanded with a selection of low base models. Enjoy compact heating without having to compromise on your way of life. The robust closing mechanism is easy to operate with one hand.

In addition, the entire range is now available in brand new colours, and you can choose between handles and decorative moulding in black or aluminium on all woodstoves.



Choose from low base variants in black, grey, glossy white, champagne or silver.

- Weight: 98 - 107 kg • Effect 3-8 kW • 80 % Efficiency • Heats up to 300 m<sup>3</sup> • Exempt for burning wood in DEFRA smoke controlled areas 
- Energy Class: **A** 

# ELLIPTICALLY SHAPED

The straight lines and combination of glass and aluminum represent the principal of design expression. The elliptic shape adds an expression into its surroundings making it a piece of heating art. The large glass surfaces draw you to relax in front of the flames and take in the view of the fire.

The Scan 68 series is available with three different base options  
- or you can simply hang it on the wall.



Choose from pedestal, open or closed base and wall fitting. Trims and handles in black or aluminum.

Weight: 98 - 190 kg • Effect 3-8 kW • 79 % Efficiency • Heats up to 300 m<sup>3</sup> • Exempt for burning wood in DEFRA smoke controlled areas 

• Energy Class: **A** 

\*Pictures may show added extras, not included in the price of the stove.



Scan 68-10



*“Being designers, we love this shape.  
It allows the stove to adapt easily into  
its surroundings without any fuss”.*


*Thomas Hørd Nielsen*

# EVERY PIECE HAS A STORY

Scan 68 draws its design from the iconic Scan 58 series, the pinnacle of Danish Stove design, and one of the world's best selling wood stoves. With the new Scan 68-series we have reduced the emission 63 % and at the same time increased the performance of the burn chamber 4%-points to 79% efficiency.



With the high top model you can choose the Heat Storage System, which enables you to enjoy the warmth for up to 12 hours after the final log has been placed on the fire. Read more about the advantages of Scans heat storage system and heat - accumulating stones on page 53.

• Weight: 98 - 107 kg • Effect 3-8 kW • 80 % efficiency • Exempt for burning wood in DEFRA smoke controlled areas 

• Energy Class: **A** \*Pictures may show added extras, not included in the price of the stove



Scan 68-8



Scan 83-1

- ▶  Champagne  
NEW!
-  Glossy white  
NEW!
-  Silver  
NEW!
-  Grey
-  Black
-  Glossy red
-  Metallic brown




## SCAN 83

# SIMPLE DESIGN AND BEAUTIFUL DETAILS

The simple design behind the Scan 83 makes your home the centre of attraction, giving you the space to create your own style around the natural gathering place – the play of the flames and the stove's steady warmth.



■ The Scan 83 has an ash drawer with lock, cast iron bottom and grate plus adjustable feet. Also available with a revolving base for Scan 83-1, 83-2, 83-3 og 83-4 (revolving base can not be used with heat accumulating stones.)

• Weight: 117-212 kg • Estimated output: 3-7 kW • 81 % efficiency • Exempt for burning wood in DEFRA smoke controlled areas 

• Energy Class: **A+** 

\*Pictures may show added extras, not included in the price of the stove.



## SCAN 83


# A NEW COLOUR EXPERIENCE

Scan 83 is a cylindrical woodstove with a large glass door that gives you a perfect view of the flames. You can choose between different versions, with or without soapstone, with mouldings and handle in black or aluminium and heat accumulating stones\* on the Maxi models.

Colour trends change all the time in the world of interior design, and we are proud to present this year's new colour trends. While the traditional black and grey wood stove is a must for some people, others want a more modern look from their fireplace.

These are the new colours that we are making available for a selection of our woodstoves. We hope you will like them as much as we do!



- The Scan 83 has an ash drawer with lock, cast iron bottom and grate plus adjustable feet. Also available with a revolving base for Scan 83-1, 83-2, 83-3 og 83-4. Revolving base can not be used with heat accumulating stones
- Weight: 117-212 kg • Estimated output: 3-7 kW • 81 % efficiency • Heats up to 260 m<sup>3</sup>
- Exempt for burning wood in DEFRA smoke controlled areas 
- Energy Class: **A+** \*Read more about the advantages of Scans heat storage system and heat accumulating stones on page 53.

SCAN 83-1 SILVER



SCAN 83-1 CHAMPAGNE



SCAN 83-1 METALLIC BROWN



SCAN 83-2 GLOSSY WHITE



SCAN 83-2 BLACK PAINT



SCAN 83-2 GLOSSY RED





One of Denmark's strongest design teams, Harrit & Sorensen, is behind the Scan 83. The clean and simple design was born out of respect for both functionality and aesthetics in equal measure.

Every detail has been thought through. The curved glass door has a soft close function and gives a perfect view of the fire. The handle has been positioned so that it completes the simple design, while remaining cool at the same time. The Scan 83 can be supplied with a revolving base, so that you can enjoy the flames wherever you are in the room.



Scan 83-8

SCAN 83-5



SCAN 83-6



SCAN 83-7 MAXI



SCAN 83-8 MAXI



SCANS HEAT STORAGE SYSTEM



The Heat Storage System is a combination of materials and technical design that ensures maximum heat output long after the fire has gone out.

The integrated soapstone elements stores heat when the fire is burning. When the fire has gone out, this heat is slowly released back into the room.

SCAN 83-5  
Black paint with grey tiles



SCAN 83-6  
Glossy red with black tiles



SCAN 83-6  
Glossy white with black tiles



**SCAN 83 TILES**  
The best-selling Scan 83 offers the possibility for adding ceramic tiles into its design.

The tiles are available in four different colours and are hand crafted in Germany.

To build your perfect stove you can easily switch to other colour combinations to suit your own interior decor.

See the range of colours, tiles and trims available for Scan 83-5 and Scan 83-6.



Scan 85-2

## SCAN 85

# EFFECTIVE HEAT IN AN EXCLUSIVE DESIGN

With the Scan 85 the heat quickly spreads across a large area, while you enjoy the simple design and perfect view of the fire. With the high top model you can choose the Heat Storage System, which enables you to enjoy the warmth for up to 12 hours after the final log has been placed on the fire.





reddot design award  
winner 2011

SCAN 85-4 MAXI



SCAN 85-5



SCAN 85-6



# COLOURFUL INSPIRATION

Create either contrast or harmony in your home. The whole range of Scan 85 is available in classic grey in addition to matt black, and the Scan 85-1 and 85-2 also has a bold red, glossy white and metallic brown in the colour palette.

The Scan 85 family is also supplemented with Scan 85-7 and 8 with raised burn chamber that makes it easier to load wood and gives a beautiful view of the fire. Perfect for your dining room or kitchen.

■ Cylindrical smooth surface with full view of the fire. The handle is integrated in the stove and is activated by simply pressing it. Choose from decorative mouldings and handle in black or brushed aluminium as well as heat-accumulating stones\* for the Maxi variant. The standard size is available in more colours; glossy red or white, black, grey and metallic brown.

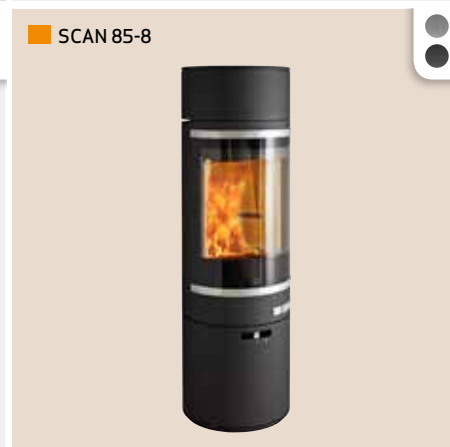
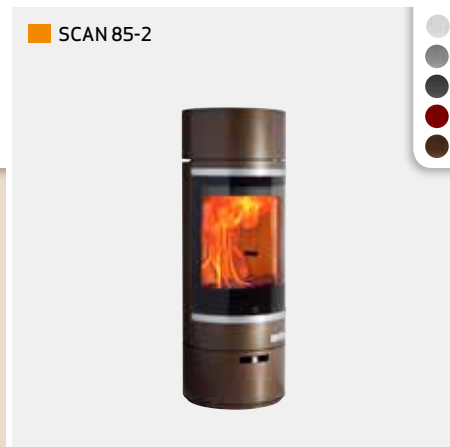
- Weight: 210 - 229 kg • Estimated output 3-10 kW • 78 % efficiency • Heats up to 380 m<sup>3</sup>
- Energy Class: **A**

\*Read more about the advantages of Scans heat storage system and heat -accumulating stones on page 53.

## ■ SCANS HEAT STORAGE SYSTEM



The Heat Storage System is a combination of materials and technical design that ensures maximum heat output long after the fire has gone out.





## SCAN 45

# CLASSIC AND SLIM

In smaller rooms the wood-burning stove should not dominate, but supplement the style and size. The Scan 45 has been designed with a slim expression, which discretely creates harmony in the home. Elegant details such as the stainless steel inset at the top of the door complete the elegant look.

SCAN 45 BLACK



SCAN 45 GREY



Option to vary the design with a soap stone top plate for a rear or top flue outlet.

The handle stays cool when the stove is in use, and the lid on the ash drawer makes emptying easy.

- Estimated output 3-7 kW • 82,5 % efficiency • Heats up to 260 m<sup>3</sup>
- Energy Class: **A+**





Scan 45

## SCAN 1001/1002

# DISCRETE AESTHETICS

The discrete and exclusive built-in models Scan 1001 and 1002 is available in classic black or modern white glass.

A cool glass handle on the door completes the pure expression and separates the model from it's competitors on the market. The insert distributes the heat optimally and gives you a wide screen view to the fire. Scan 1001/1002 takes logs up to 65 cm.

SCAN 1001 STEEL, BLACK PAINT



SCAN 1001 WHITE GLASS, CHROME FRAME




SCAN 1001 BLACK GLASS



SCAN 1002 STEEL, BLACK PAINT



Choose from front in black paint, white or black glass decor and trims in black or chrome.

- Weight: 107 / 124 kg • Effect 3-9 / 3-10 kW • 82 % Efficiency • Heats up to 340 / 380 m<sup>3</sup>
- Exempt for burning wood in DEFRA smoke controlled areas 

• Energy Class: **A+** 





Scan 1002

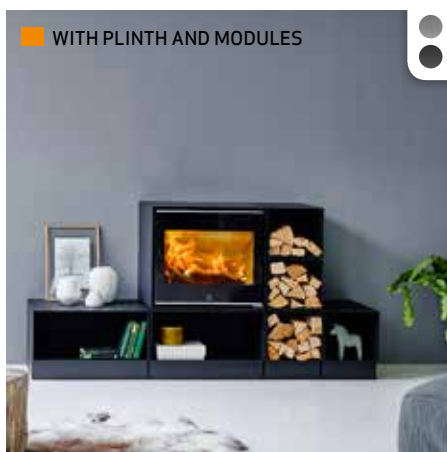




## SCAN 1010

# A MODULAR CONCEPT

Choose your setup based on a large number of opportunities; wall hanging or placed on the floor, with different sized boxes and log compartments, with or without a plinth. You can personalise your Scan 1010 to match your taste, needs and interior. This fireplace meets both aesthetic and practical needs.

You'll be charmed by the elegant simplicity and style of the front, underlined by the detail on the glass and the smooth air controls. The tinted glass handle is comfortable to touch and with a simple push, the door locks automatically.



- Choose between wall or floor model with or without plinth
- Weight: from 135 kg • Effect: 7 kW • 82 % efficiency • Heats up to 340 m<sup>3</sup>
- Exempt for burning wood in DEFRA smoke controlled areas 
- Energy Class: **A+** 





Scan 1010 Wall



## S SCANDSA 4-5

LIVING ART  
ON THE WALL

Built-in fireplaces gives the wood-burning stove a different role than the traditional one. Before lighting the fire the expression is unobtrusive, when the fire is blazing, the flames create living art on the wall. This is a clear choice when renovating open fireplaces or building new ones.



Scan DSA 4-5



■ SCANDSA 4-5 FLAT GLASS



● ■ SCANDSA 4-5 Available in black or grey paint with trims in various standard sizes or custom-made.

A connection piece for fresh air inlet at the bottom is optional\*.\*\*

- Estimated output: 3-8 kW
- 77 / 78 % efficiency
- Heats up to 300 m<sup>3</sup>
- Energy Class: **A** →

\*Not suitable for UK installations.

\*\* Does not have closed combustion

## SCAN DSA 12

## DISCRETE AND WELL-CONSIDERED DESIGN

A fireplace insert with glass on both sides enabling you to see right through. It can be operated from both sides, but one door can be locked, if you only wish to operate it from one side.

SCAN DSA 12



- Estimated output 5-11 kW
- 80 % efficiency
- Heats up to 425 m<sup>3</sup>
- Energy Class: **A**



Scan DSA 12

# BEFORE BUYING A WOOD-BURNING STOVE

For most of us, a wood-burning stove is a big investment that we want to last for many years. It is therefore important to check out the conditions in your home before deciding.

## FLUE

If your home does not have a flue, ask the dealer about the possibility of getting a flue to suit your stove.

If you already have a flue, it is important to get it checked to make sure it is in a usable condition.



## SAFETY

Our approvals are your guarantee that your wood-burning stove has been thoroughly tested and checked. All products are tested in terms of safety and function. We therefore automatically give a 5-year (excluding consumable items) right to claim. Selected authorised Scan dealers are available with further technical information regarding installation and service etc.  
See also [www.scan.dk](http://www.scan.dk)

## APPROVAL

A wood-burning stove must be safe when in use, easy to operate and protect the environment.

It is therefore a good idea if the stove does not just meet the national standards and requirements, but surpasses them.

## SIZE

It is important to get a stove that is proportioned for the area it has to heat.

## CLEARANCE

Take note of the applicable regulations regarding clearances to combustible material and the correct floor covering.

The authorised Scan dealer will be happy to advise you on the regulations.

## INFORMATION ON INSTALLATION

To avoid installing the stove incorrectly and to ensure correct use, it is important to follow the assembly and instructions manual carefully.

We recommend that the installation is performed by an authorised Scan fitter to ensure optimum function and safety of the installation.

Information on Scan dealers can be found at [www.scan.dk](http://www.scan.dk).

As the house owner you are responsible for ensuring that installation and fitting are carried out in accordance with national and local building regulations as well as the information provided in the assembly and instructions manual.

If you want to do the fitting yourself, you should make sure you can do it safely and according to the applicable regulations.

As the house owner you must register the installation of a new fireplace with the local chimney sweep and/or building authorities (always respect the national rules in your country).



## KEEPS HEATING FOR LONGER

Scan's unique Heat Storage System gives you the opportunity to have extra warmth for up to 12 hours after putting in the last log.

The Heat Storage System is a combination of materials and technical design that ensures maximum heat output long after the fire has gone out.

The Heat Storage System is compact and concealed inside the top of the stove. Here the heat-accumulating



material collects the heat produced in the combustion chamber. A valve in the top of the stove is standard on Scan's heat accumulating products. Stoking with the valve open delivers heat faster. When the valve is closed, the heat is stored, and heat emission is extended by up to 12 hours.

## QUALITY

All Scan stoves are characterised by their high quality and are produced from the best possible materials. We conduct a thorough goods inwards inspection of raw materials and final inspection of the product. Via a registration number, it is possible to trace the origin of the stove which makes ordering spare parts easier.

Unique details such as a cool handle, efficient air wash and simple operation are quality features - and make lighting and stoking much easier.

# WOOD-BURNING STOVES MEET ENVIRONMENTAL CONSIDERATIONS

Burning wood is a sustainable and economic form of energy. If the wood-burning stove has been designed correctly, you save fuel. At Scan we strive constantly to increase the efficiency of the combustion and meet the most stringent of international requirements. Scan is therefore among the producers of wood-burning stoves that has achieved most approvals on the international stage.

A number of our products have also been awarded the official Nordic Swan ecolabel. The Swan ecolabel guarantees that the products are among the best and cleanest on the market, that we consider your health, and that the products are high quality.



**A FOCUS ON ENVIRONMENTALLY-FRIENDLY HEATING**

Scan's objective is to develop wood-burning stoves that burn more cleanly and more economically than all others.



**UNIQUE COMBUSTION SYSTEM**

The highly developed combustion system, Clean Burn, ensures that our wood-burning stoves are technological forerunners and set new standards for high efficiency and low CO2 emissions and wood consumption. The through-flow of air also ensures that the glass remains optimally clean.

ENERGY LABEL: Scan 68, Class A, 5.5 kW.

**ECO LABEL**

The Ecodesign - and the Ecolabel Directive are two instruments initiated by the EU. They aim to reduce the environmental impact of energy-related products throughout their life cycle. This allows you to choose the most energy-efficient wood stove on the market. Marking our products with their energy-efficiency class will guide you to choose the most energy-efficient product, with the lowest operating cost and impact on the environment. All in order for you to make your best choice for the present, - for the future and for the environment.

Clean Burn was developed to meet the strictest international requirements for clean burning and to protect both people and the environment.

Models in our range indicated with this logo are DEFRA exempt, this enables the appliance to burn wood in a UK smoke controlled area.



# ACCESSORIES

When you choose Scan, you will have a stylish Danish design with functional and exclusive details. Find the ultimate finish for your Scan wood-burning stove among our wide range of accessories.



## FLOOR PLATES

We have a large selection of floor plates. They are available in various materials, shapes and colours. There are also special shaped floor plates for almost all models (see technical information from pages 56).

The floor plate is not just a practical measure. It also completes the stove's design. Your dealer can give you more information on the various floor plate possibilities. They are typically available in hardened glass and steel, and in many sizes and designs.

Remember to check that the floor plate you choose complies with the building regulations.

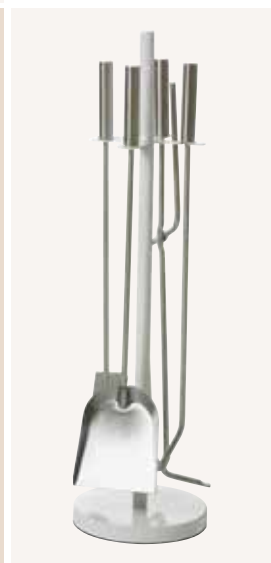


## FLUE PIPES

We have a wide range of high-quality flue pipes. Our authorised dealers can help you find the product that best suits your needs.



## WOOD BASKETS AND COMPANION SETS



# TECHNICAL DATA

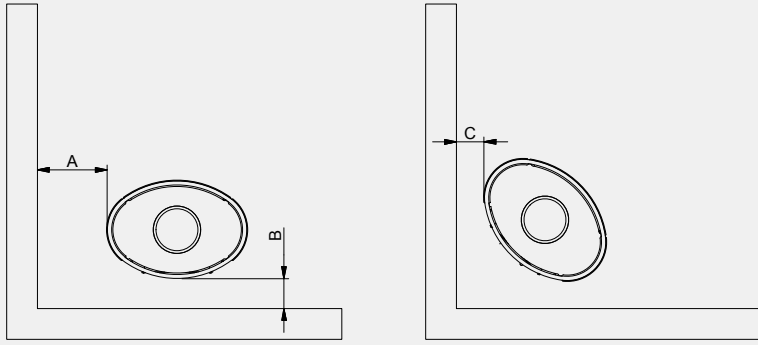
- = standard
- = option \*)
- ▲ = extras

\*) see further details in the manual on scan.dk

Some options can be at a supplementary price

We refer to the manuals for distances to combustible materials

Free Standing Stoves (according to EN 13240):	Scan 45	Scan 65-1 Scan 65-3	Scan 65-2 Scan 65-4	Scan 65-1/2 Low Base	Scan 65-5	Scan 65-6
EN nominal performance (kW)	5	6	6	6	6	6
Efficiency (%)	82,5	82	79	79/82	79	79
Emission (% CO at 13% O <sub>2</sub> )	0,10	0,08	0,1	Scan 65-1) 0,08 Scan 65-2) 0,1	0,08	0,1
Distance to combustible materials uninsulated start section, sides/rear/corner (mm) (A/B/C). For revolving stoves, see the manual	200/150/150	350/150/100	500/150/250	(Scan 65-1) 350/150/100 (Scan 65-2) 500/150/250	350/150/100	500/150/250
<b>Other Properties:</b>						
Est. operating range (kW)	3-7	3-8	3-8	3-8	3-8	3-8
Room size approx. (m <sup>3</sup> )	50-260	50-300	50-300	50-300	50-300	50-300
Max. log length (cm)	25	30	30	30	30	30
Weight (kg)	90	123/180	123/168	115	162	162
Dimensions HxWxD (mm)*	969x414x 412	1131x490x 380	1131x490x 380	1000x490x 380	1433x490x 380	1433x490x 380
Height to the middle of flue outlet rear (mm):	831	1011	1011	880	-	-
Height to the beginning of flue pipe at top outlet (mm):	932	1110	1110	979	1411	1411
Fire box opening HxB (mm)	400x277	326x364	326x364	326x364	326x364	326x364
Flue outlet (mm)	Ø 150	Ø 150	Ø 150	Ø 150	Ø 150	Ø 150
Clean Burn	●	●	●	●	●	●
<b>Approvals:</b>						
EN 13240	●	●	●	●	●	●
NS 3058	●	●	●	●	●	●
DEFRA	-	●	●	●	●	●
<b>Stove colour/lateral covering/side windows:</b>						
Black	□	□	□	□	●	●
Grey	□	□	□	□	-	-
Glossy white (GWH)	-	-	-	-	-	-
Dusty green	-	-	-	-	-	-
Soap stone	-	□	□	-	-	-
Sand stone	-	□	□	-	-	-
Glossy white (GWH)	-	-	-	-	-	-
Side windows	-	-	●	(Scan 65-2) ●	-	●
<b>Extra accessories:</b>						
Top plate soap stone	▲	▲	▲	-	▲	▲
Top plate sand stone	-	▲	▲	-	▲	▲
High top element	-	-	-	-	-	-
Heat accumulating stones	-	-	-	-	-	-
Shaped floor plate glass	▲	▲	▲	▲	▲	▲
Shaped floor plate steel	▲	▲	▲	▲	▲	▲
Front panel for base in black, gray or white	-	-	-	-	-	-
Option of closed combustion system *)	▲	●	●	●	●	●



Measurement drawing:

The most standard clearances to combustible material are shown in the table, in which the measurements are referred to as A, B and C.

See [www.scan.dk](http://www.scan.dk) for further information.

Scan 65-7	Scan 65-8	Scan 65-9/10	Scan 66-1	Scan 66-2 Scan 66-4	Scan 66-5	Scan 68-1/2 Scan 68-7/8 Wall	Scan 68-3/4/5/6
6	6	6	5	5	5	5	5
79	79	82/79	78	78	78	79	80
0,08	0,1	(Scan 65-9) 0,08 (Scan 65-10) 0,1	0,03	0,03	0,03	0,04	0,04
350/150/100	500/150/250	(Scan 65-9) 350/150/100 (Scan 65-10) 500/150/250	sides 300	300/150/150	300/150/150	400	450/100/100
3-8	3-8	3-8	3-8	3-8	3-8	3-8	3-8
50-300	50-300	50-300	50-260	50-260	50-260	50-300	50-300
30	30	30	33	33	33	33	33
258	246	235,5	90	100	120	98	105
1448x490x380	1448x490x380	1433x490x380	630x481x337	946,5x481x337	943 x1037x337	794x500x391	1272/1222x500x350
1098	1098	1098	From top 148,5	799	796	681	1160/1110
1411	1411	-	-	885	881	776	1255/1205
326x364	326x364	326x364	239x340	239x340	239x340	310x303	310x303
Ø 150	Ø 150	Ø 150	Ø 150	Ø 150	Ø 150	Ø 150	Ø 150
•	•	•	•	•	•	•	•
•	•	•	•	•	•	•	•
•	•	•	•	•	•	•	•
□	□	□	□	□	□	□	□
□	□	□	-	-	-	□	□
-	-	-	□	□	□	□	□
-	-	-	□	□	□	-	-
•	•	-	-	-	-	-	-
-	-	-	-	-	-	-	-
-	-	-	□	□	□	-	-
-	•	(Scan 65-10) •	-	-	-	(Scan 68-7/8) •	-
•	•	-	-	-	-	▲	▲
-	-	-	-	-	-	-	-
•	•	-	-	-	-	-	-
▲	▲	▲	-	-	-	-	-
▲	▲	▲	-	(Scan 66-2) ▲	-	▲	▲
▲	▲	▲	-	(Scan 66-2) ▲	-	▲	▲
-	-	-	-	-	▲	-	-
•	•	•	•	•	•	•	•

Free Standing Stoves (according to EN 13240):	Scan 68-9/10/11/12	Scan 68-13 Scan 68-14	Scan 68-13/14 Low Base	Scan 68-13 Scan 68-14 High Top	Scan 68-15 Scan 68-16	Scan 68-15 Scan 68-16 Low Base
EN nominal performance (kW)	5	5	5	5	5	5
Efficiency (%)	79	79	79	79	79	79
Emission (% CO at 13% O <sub>2</sub> )	0,04	0,04	0,04	0,04	0,04	0,04
Distance to combustible materials uninsulated start section, sides/rear/corner (mm) (A/B/C). For revolving stoves, see the manual	500x150x350	400x150x100	400x150x100	400x150x100	400x150x100	400x150x100
<b>Other Properties:</b>						
Est. operating range (kW)	3-8	3-8	3-8	3-8	3-8	3-8
Room size approx. (m <sup>3</sup> )	50-300	50-300	50-300	50-300	50-300	50-300
Max. log length (cm)	33	33	33	33	33	33
Weight (kg)	105	110	110	130	190	110
Dimensions HxWxD (mm) *)	1272/1222x 500x350	1222x500x 350	1000x500x 350	1650x500x 366	1257x586x 373	1035x586x 371
Height to the middle of flue outlet rear (mm):	1160/1110	1110	1000	1110	1110	1000
Height to the beginning of flue pipe at top outlet (mm):	1255/1205	1205	1205	1205	1205	1205
Fire box opening HxB (mm)	310X303	310X303	310X303	310X303	310X303	310X303
Flue outlet (mm)	Ø 150	Ø 150	Ø 150	Ø 150	Ø 150	Ø 150
Clean Burn	●	●	●	●	●	●
<b>Approvals:</b>						
EN 13240	●	●	●	●	●	●
NS 3058	●	●	●	●	●	●
DEFRA	●	●	●	●	●	●
<b>Stove colour/lateral covering/side windows:</b>						
Black	□	□	□	□	□	□
Grey	□	□	□	□	□	□
Glossy white (GWH)	□	□	□	□	□	□
Metallic brown (MBR)	-	-	-	-	-	-
Glossy red (GLR)	-	-	-	-	-	-
Champagne (CHA)	□	□	□	□	□	□
Silver (SIL)	□	□	□	□	□	□
Soap stone	-	-	-	-	●	●
Sand stone	-	-	-	-	-	-
Tiles	-	-	-	-	-	-
Side windows	●	-	-	-	-	-
<b>Extra accessories:</b>						
Top plate soap stone	▲	▲	▲	▲	●	●
High top element	-	-	-	●	-	-
Heat accumulating stones	-	-	-	▲	▲	-
Shaped floor plate glass	▲	▲	▲	▲	▲	▲
Shaped floor plate steel	▲	▲	▲	▲	▲	▲
Option of closed combustion system *)	●	●	●	●	●	●

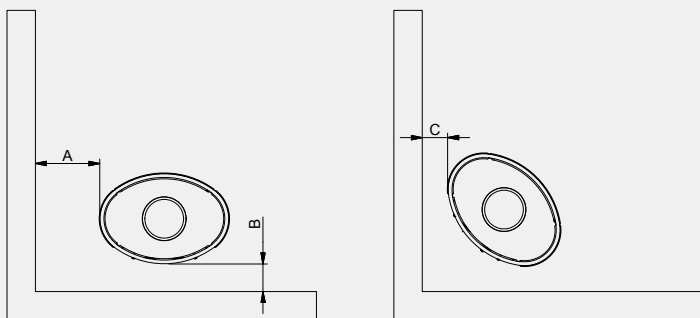
- = standard
- = option \*)
- ▲ = extras

\*) see further details in the manual on scan.dk  
 \*\*) placed vertically

Some options can be at a supplementary price

We refer to the manuals for distances to combustible materials

	Scan 68-15 Scan 68-16 High Top	Scan 80-1/2	Scan 80 3/4	Scan 83-1/2 Scan 83-5/6	Scan 83-3/4 Scan 83-7/8	Scan 85-1 Scan 85-2	Scan 85-3 Scan 85-4
	5	6	6	5	5	8	8
	79	84	84	81	81	78	78
	0,04	0,06	0,06	0,07	0,07	0,06	0,06
		450x100x200	450x100x200	400/100/100	400/100/100	600/100/100	600/100/100
	3-8	5-9	5-9	3-7	3-7	3-10	3-10
	50-300	50-300	50-300	50-260	50-260	75-380	75-380
	33	25	25	35 **)	35 **)	50 **)	50 **)
	235	105	110	117-186	125-212	210	229-319
	1685x586x 373	1351x 385x385	1670x 385x385	1200x460x460	1410x460x460	1464x520x520	1864x520x520
	1110	1205,5	1567	1064	1064	1347	1547
	1205	1349	1349	1162	1162	1442	1642
	310X303	447x258	447x258	388x353	388x353	447x327	447x327
	Ø 150	Ø150	Ø150	Ø 150	Ø 150	Ø 150	Ø 150
	•	•	•	•	•	•	•
	•	•	•	•	•	•	•
	•	•	•	•	•	•	•
	•	•	•	•	•	-	-
	□	•	•	□	□	□	□
	□	-	-	□	□	□	□
	-	-	-	(Scan 83-1/2) □	(Scan 83-3/4) □	□	-
	-	-	-	(Scan 83-1/2) □	(Scan 83-3/4) □	□	-
	-	-	-	(Scan 83-1/2) □	(Scan 83-3/4) □	□	-
	-	-	-	(Scan 83-1/2) □	(Scan 83-3/4) □	-	-
	-	-	-	(Scan 83-1/2) □	(Scan 83-3/4) □	-	-
	•	-	-	(Scan 83-5/6) □	(Scan 83-7/8) •	-	-
	-	-	-	-	-	-	-
	-	-	-	(Scan 83-5/6) □	-	-	-
	-	-	-	-	-	-	-
	•	-	-	(Scan 83-5/6) ▲	(Scan 83-7/8) ▲	-	-
	•	-	-	-	•	-	•
	▲	-	▲	-	▲	-	▲
	▲	▲	▲	▲	▲	▲	▲
	▲	▲	▲	▲	▲	▲	▲
	•	•	•	•	•	•	•



Measurement drawing:

The most standard clearances to combustible material are shown in the table, in which the measurements are referred to as A, B and C.

See [www.scan.dk](http://www.scan.dk) for further information.

Freestanding stoves (according to EN 13240)	Scan 85-5 Scan 85-6	Scan 85-7 Scan 85-8	SCAN 1010 wall	SCAN 1010 with module	SCAN 1010 with module and plinth
EN nominal performance (kW)	8	8	7	7	7
Efficiency (%)	78	78	82	82	82
Emission (% CO at 13% O <sub>2</sub> )	0,06	0,06	0,07	0,07	0,07
Distance to combustible materials uninsulated start section, sides/rear/corner (mm) (A/B/C)	600/100/100	600/100/100		400/150/50	400/150/50
<b>Other Properties:</b>					
Est. operating range (kW)	3-10	3-10	3-9	3-9	3-9
Room size approx. (m <sup>3</sup> )	75-380	75-380	75-340	75-340	75-340
Max. log length (cm)	50 **)	50 **)	50	50	50
Weight (kg)	220-310	220	135	167	174,5
Dimensions HxWxD (mm)	1664x520x520	1664x520x520	572x649x479	856x649x479	965x649x479
Height to the middle of flue outlet rear (mm):	1347	1547	472,5	764	873
Fire box opening HxB (mm)	447x327	447x327	334 x 521	334 x 521	334 x 521
Flue outlet ext./int. flue pipe (mm)	Ø 150	Ø 150	Ø150	Ø150	Ø150
Clean Burn	●	●	●	●	●
<b>Approvals:</b>					
EN 13229	●	●	●	●	●
NS 3058	●	●	●	●	●
DEFRA	-	-	●	●	●
<b>Stove colour:</b>					
Black paint	□	□	●	●	●
Grey	□	□	-	-	-
Glossy white (GWH)	-	-	-	-	-
Metallic brown (MBR)	-	-	-	-	-
Glossy red (GLR)	-	-	-	-	-
<b>Extra accessories:</b>					
Chrome trim/black handle	-	-	□	□	□
Black trim/black handle	-	-	□	□	□
Option of closed combustion system **)	-	-	●	●	●
Floor plate glass	-	-	▲	▲	▲
Small/large module boxes (incl. magnets)	-	-	▲	▲	▲
Plinth for small/large module	-	-	-	▲	▲
Inside protection glass for modules	-	-	▲	▲	▲
Extra magnets	-	-	▲	▲	▲
Small/large wall bracket	-	-	▲	-	-

\*) see further details in the manual on scan.dk

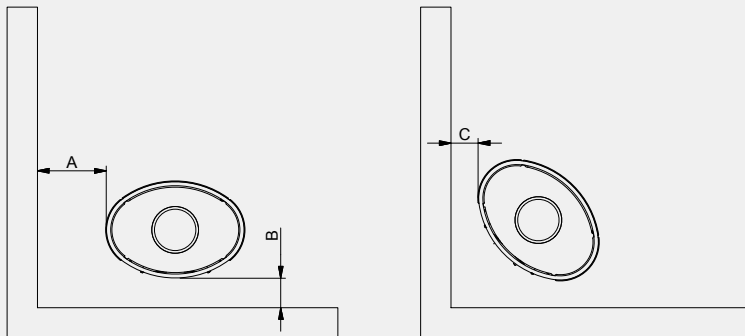
\*\*\*) placed vertically

- = standard
- = option \*)
- ▲ = extras

Some options can be at a supplementary price

We refer to the manuals for distances to combustible materials

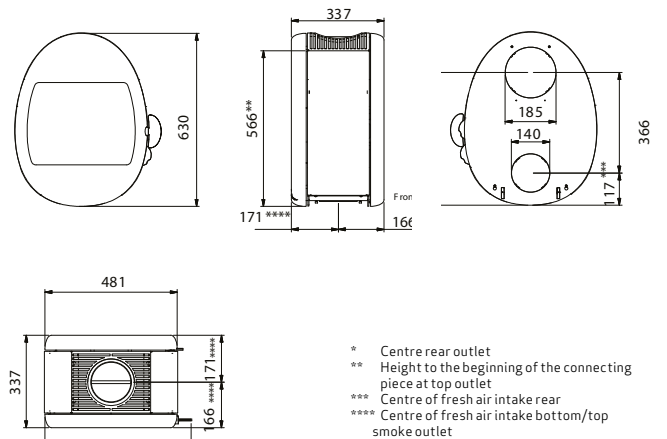
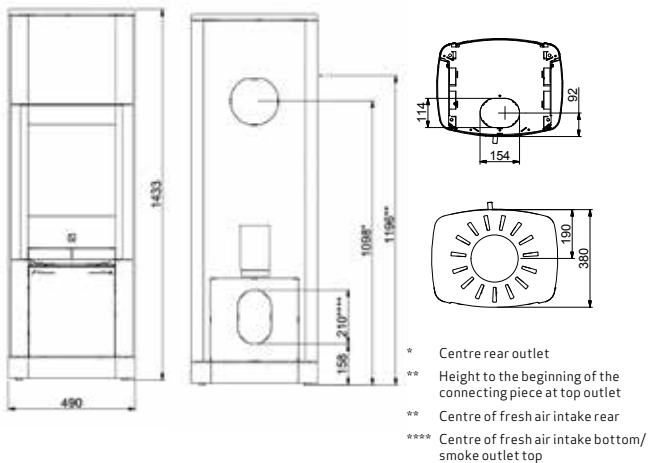
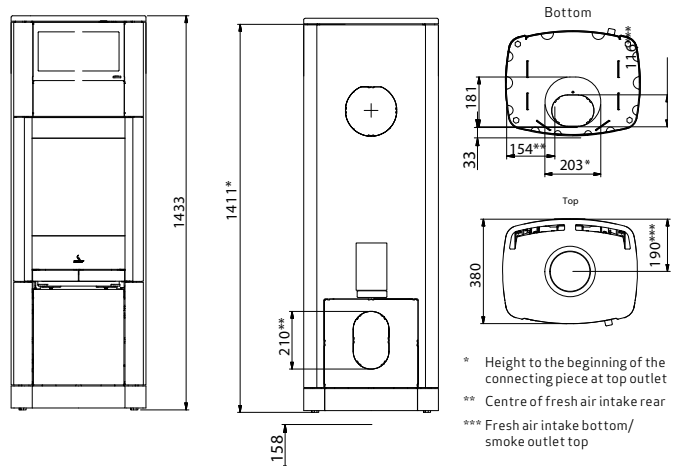
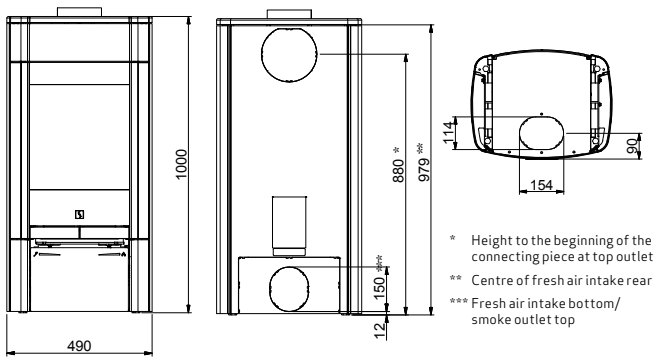
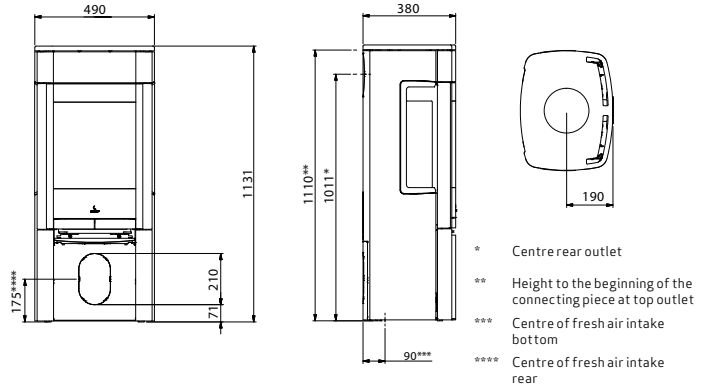
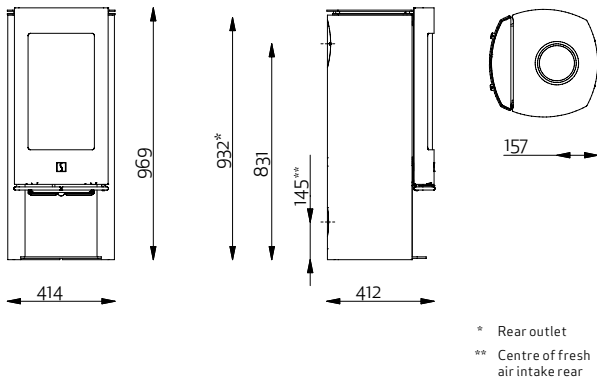
Inserts (according to EN 13229)	DSA 4-5	DSA 12	SCAN 1001	SCAN 1002	SCAN 5001	SCAN 5002	SCAN 5003	SCAN 5004
EN nominal performance (kW)	6	9	7	8	5	4,8	6,9	7,8
Efficiency (%)	78	80	82	82	84	83	85	83
Emission (% CO at 13% O <sub>2</sub> )	0,10	0,09	0,07	0,07	0,09	0,08	0,08	0,09
<b>Other Properties:</b>								
Est. operating range (kW)	3-8	5-11	3-9	3-10	3-8	3-8	4-10	3,5-12
Room size approx. (m <sup>3</sup> )	50-300	75-425	75-340	75-380	50-260	50-260	75-340	75-380
Max. log length (cm)	40	50	50	65	30	45	45	45
Weight (kg)	77	210	107	124	105	117	115	210
Dimensions HxWxD (mm)	540x 603x390	989x 840x460	570x 650x438	570x 800x438	1062x 509x462	892x 677x405	1033x 638x389	1342x 807x567
Height to the beginning of flue pipe at top outlet (mm):	-	-	489	489	489	959	939	1086
Fire box opening HxB (mm)	320x465	295x550	334x521	334x671	375x332	375x502	-	-
Flue outlet ext./ int. flue pipe (mm)	Ø159/Ø155	Ø179/Ø175	Ø148/Ø144	Ø148/Ø144	Ø149/135	Ø149/Ø135	Ø149/135	Ø200/173
Flue outlet ext. Flexible pipe (mm)	Ø149	-	-	-	-	-	-	-
Clean Burn	•	•	•	•	•	•	•	•
<b>Approvals:</b>								
EN 13229	•	•	•	•	•	•	•	•
NS 3058	•	•	•	•	•	•	•	•
DEFRA	-	-	-	-	-	-	-	-
<b>Stove colour:</b>								
Black paint	□	•	□	□	•	•	•	•
Grey paint	□	-	-	-	-	-	-	-
Black glass	-	-	□	□	-	-	-	-
White glass	-	-	□	□	-	-	-	-
<b>Extra accessories:</b>								
Trim black, standard	□	•	□	□	-	-	-	-
Trim grey, standard	□	-	-	-	-	-	-	-
Trim chrome, standard	-	-	□	□	-	-	-	-
Custom made trims	▲	▲	▲	▲	-	-	-	-
Convection / heat shield	-	-	-	-	□	□	□	□
Frame	-	-	-	-	□	□	□	□
Heat accumulating stones	-	-	-	-	□	□	□	□
Convection	-	-	-	-	□	□	□	□
Possibility for fresh air inlet in the convection channels **)	▲	-	-	-	-	-	-	-
Option of closed combustion system **)	-	•	•	•	•	•	•	•



Measurement drawing:

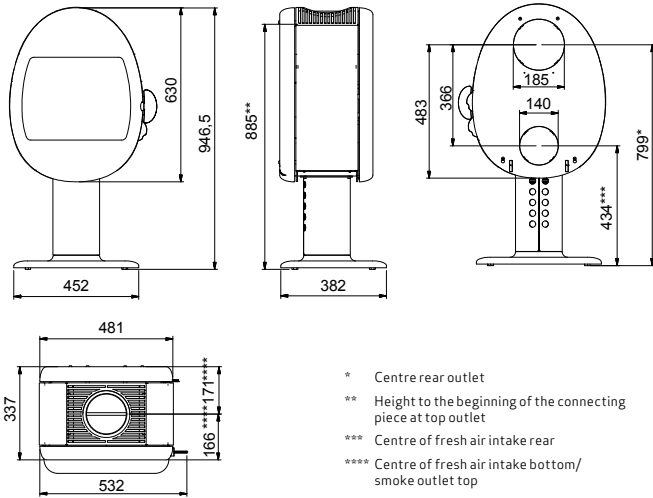
The most standard clearances to combustible material are shown in the table, in which the measurements are referred to as A, B and C.

See [www.scan.dk](http://www.scan.dk) for further information.



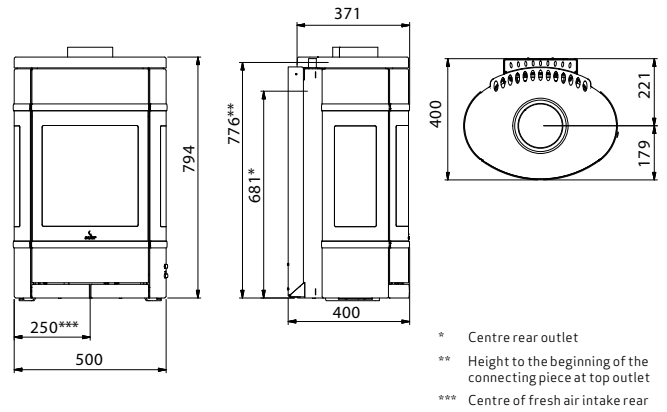
SCAN 66-2

PAGE 16



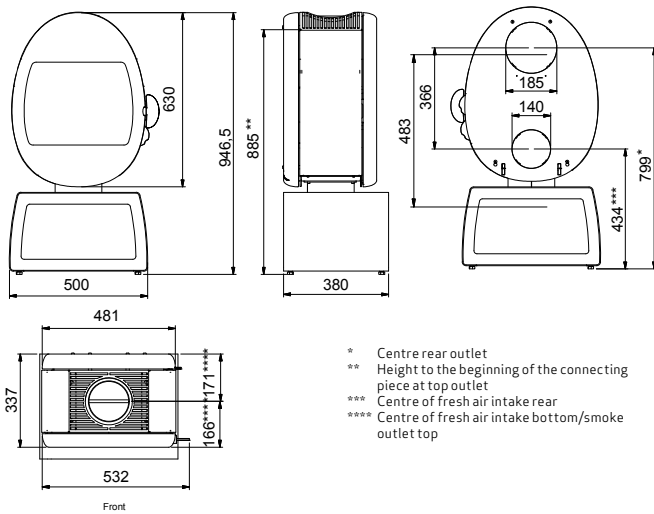
SCAN 68-1/2/7/8

PAGE 26



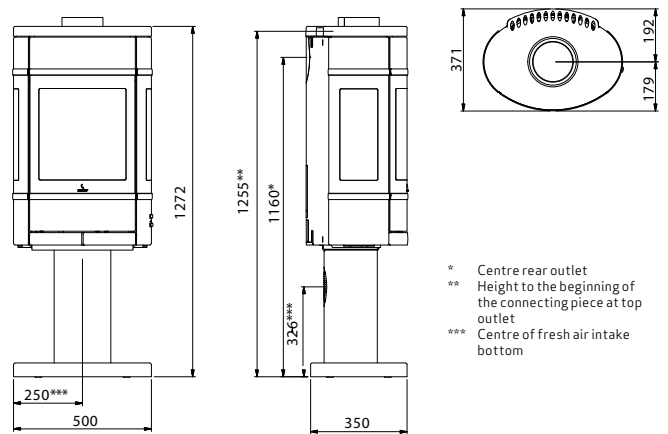
SCAN 66-4

PAGE 16



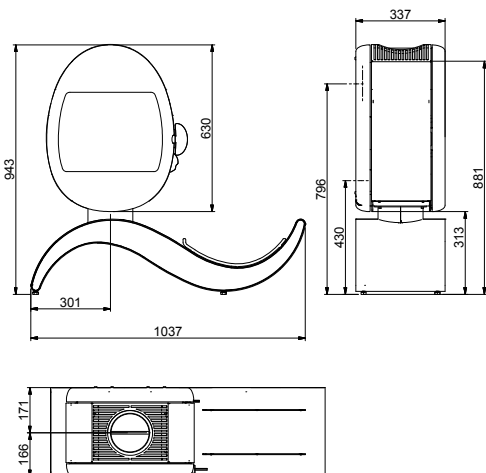
SCAN 68-3/4/9/10

PAGE 26



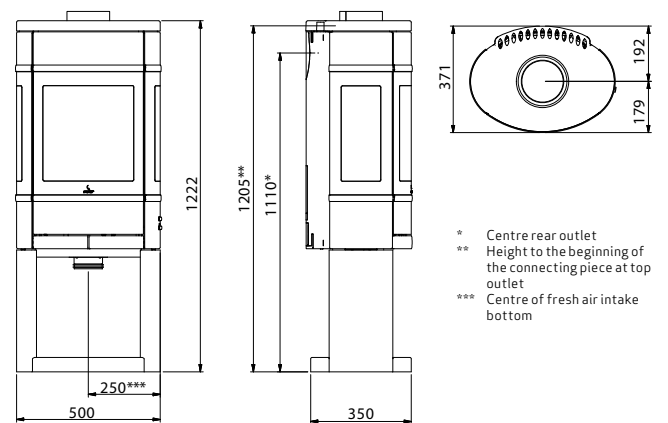
SCAN 66-5

PAGE 16



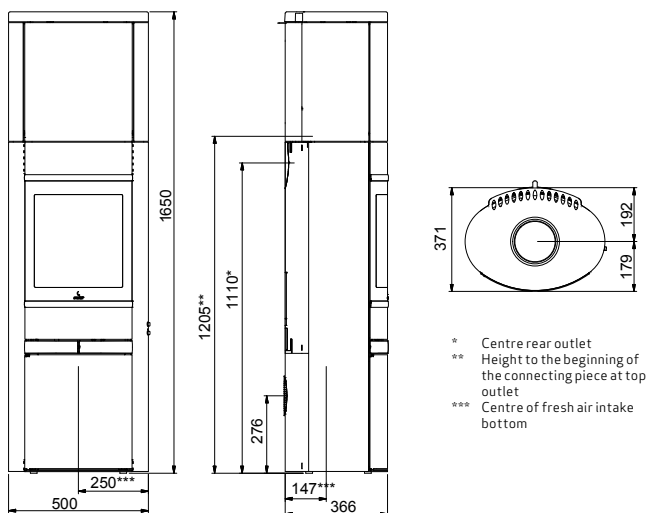
SCAN 68-5/6/11/12/13/14

PAGE 26



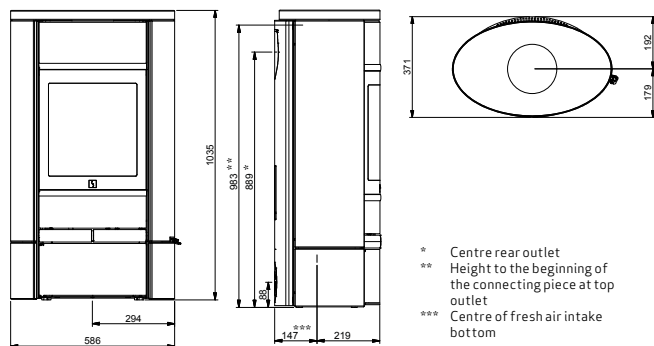
SCAN 68-13/14 HIGH TOP

PAGE 26



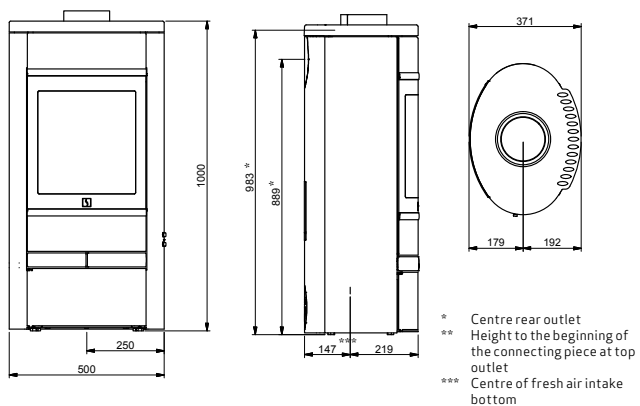
SCAN 68-15/16 LOW BASE

PAGE 26



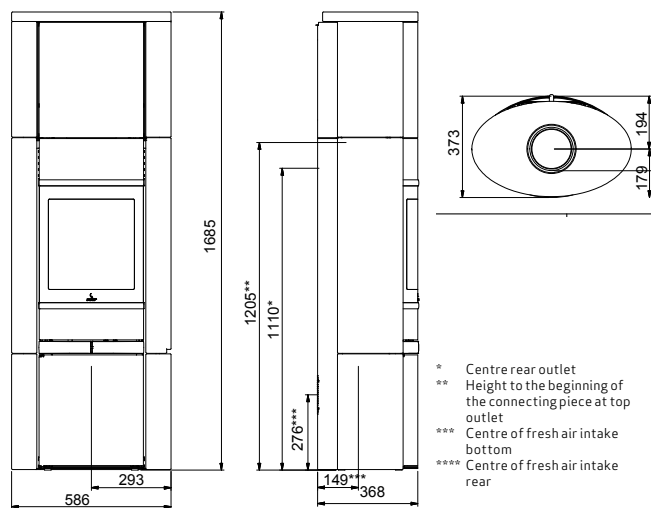
SCAN 68-13/14 LOW BASE

PAGE 26



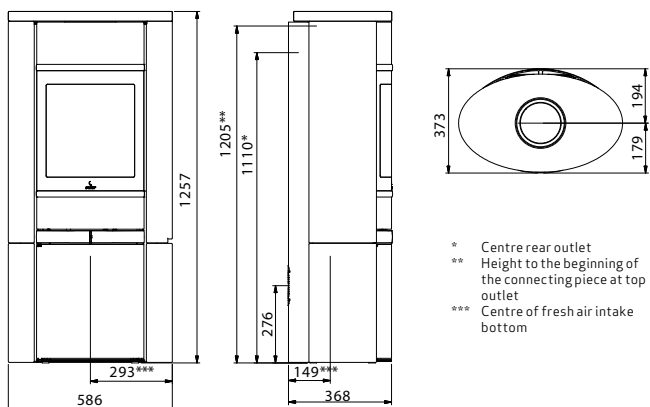
SCAN 68-15/16 HIGH TOP

PAGE 26



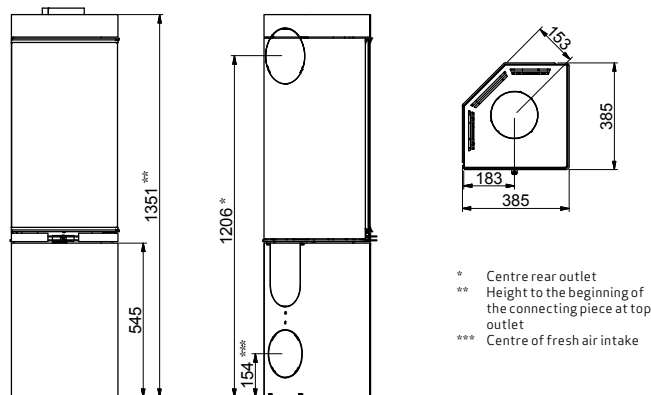
SCAN 68-15/16

PAGE 30



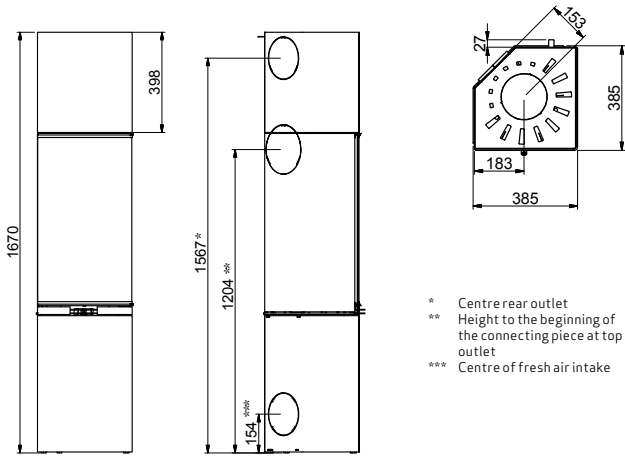
SCAN 80-1/2

PAGE 6



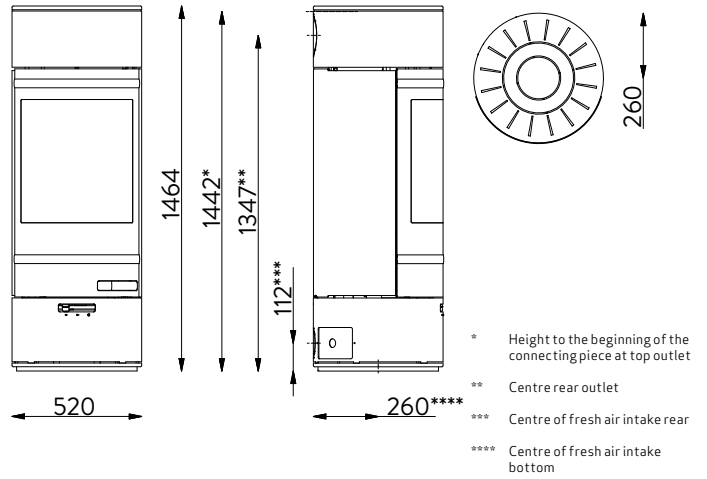
SCAN 80-3/4

PAGE 6



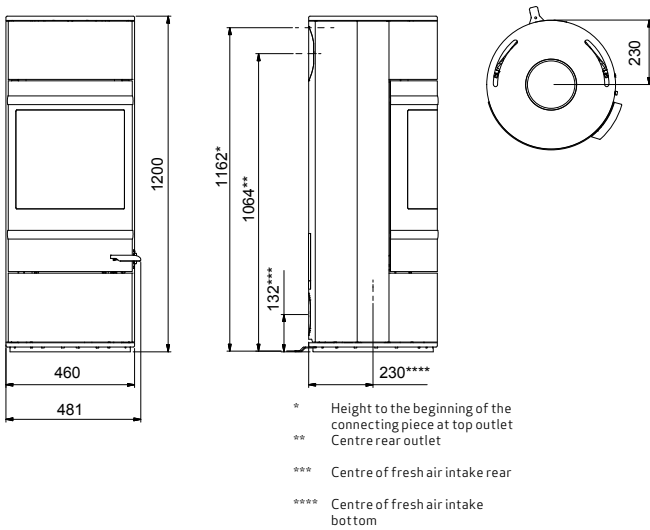
SCAN 85-1/2

PAGE 40



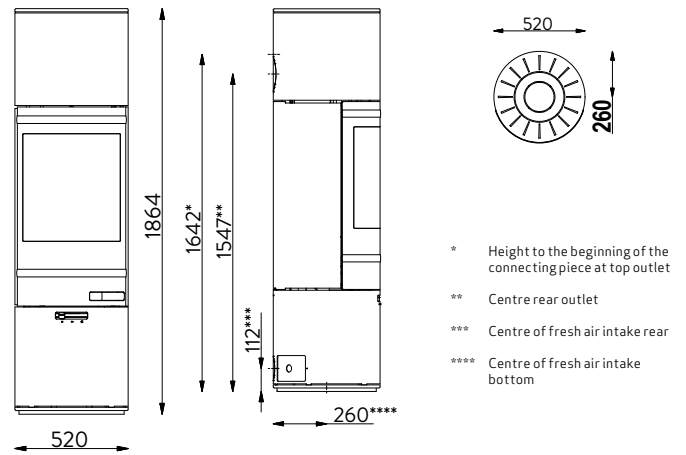
SCAN 83-1/2/5/6

PAGE 32



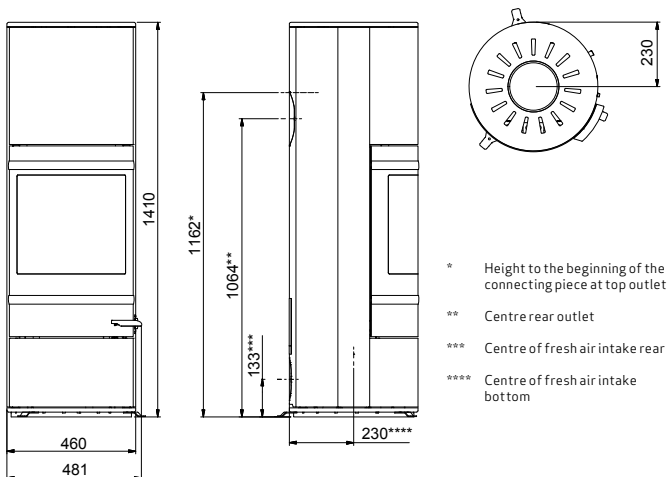
SCAN 85-3/4 MAXI

PAGE 40



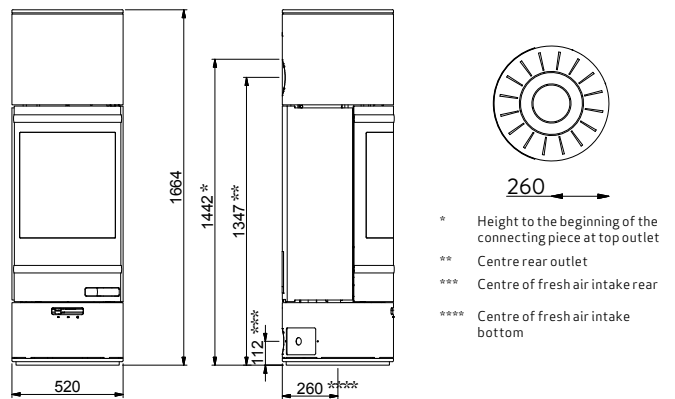
SCAN 83-3/4/7/8 MAXI

PAGE 36



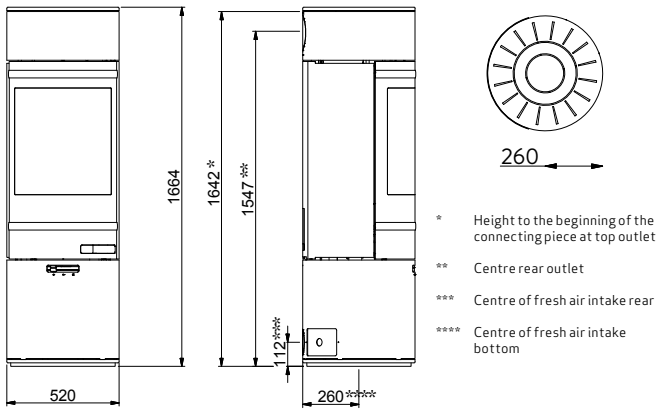
SCAN 85-5/6

PAGE 40



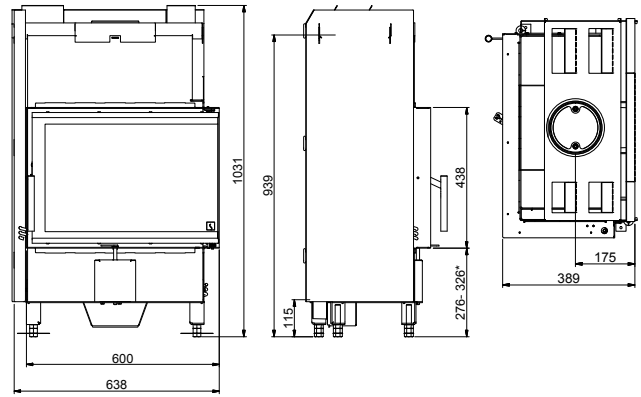
SCAN 85-7/8

PAGE 40



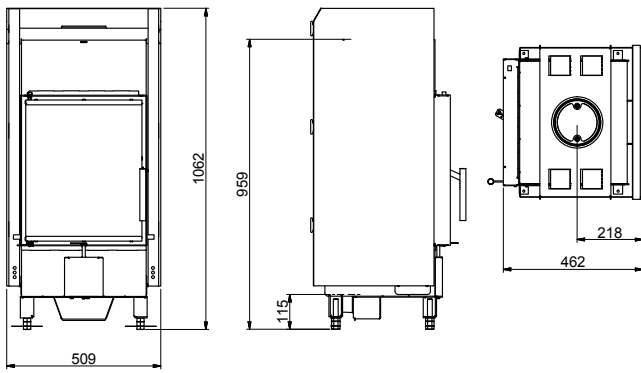
SCAN 5003 FR/FL

PAGE 10



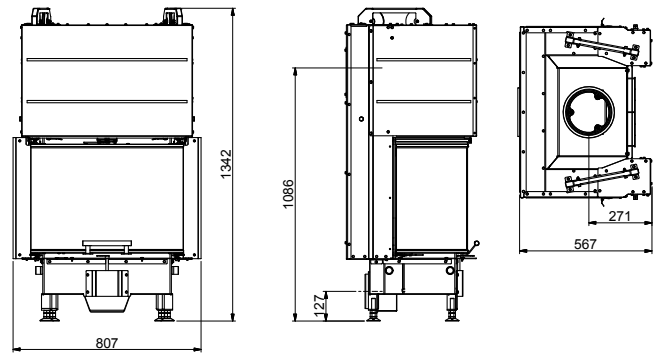
SCAN 5001

PAGE 8



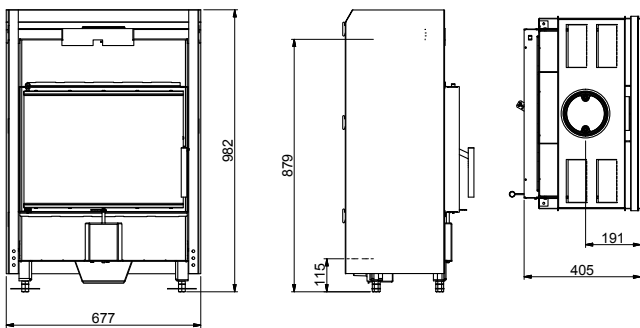
SCAN 5004

PAGE 12



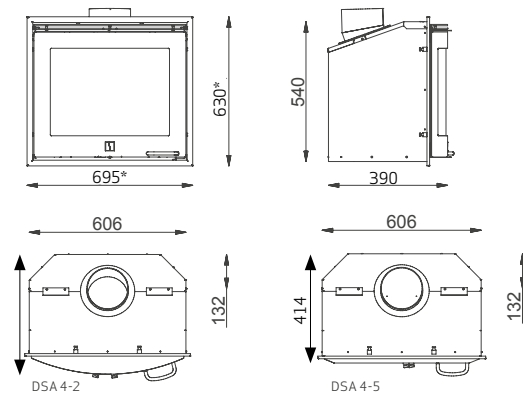
SCAN 5002

PAGE 10



SCAN DSA 4-5

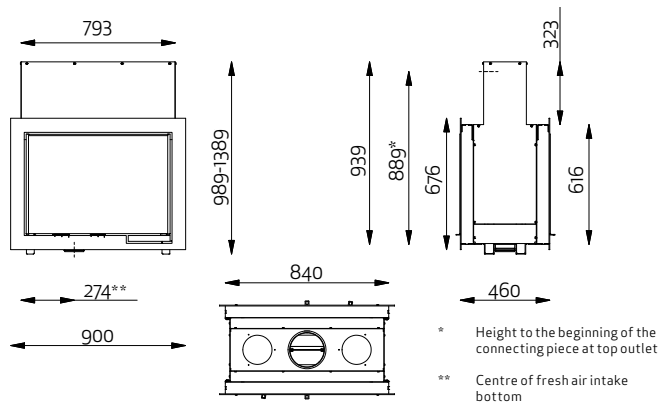
PAGE 48



\* Measurement includes UK standard 50 mm trim.

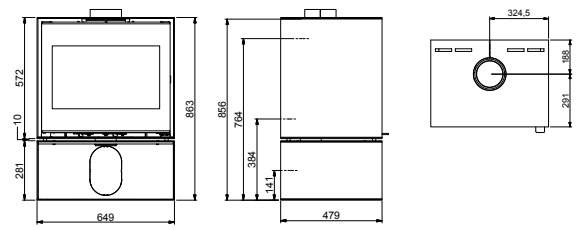
SCAN DSA 12

PAGE 50



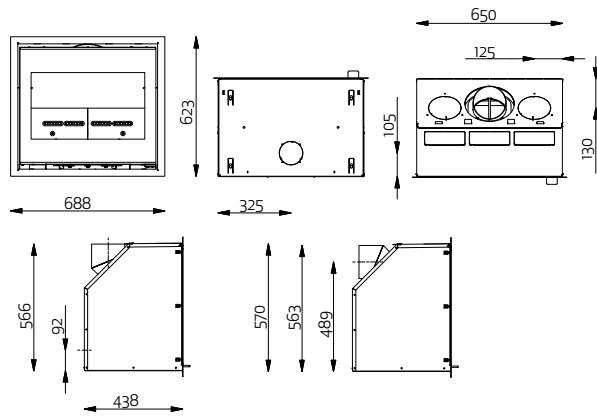
SCAN 1010 WITH BASE MODULE

PAGE 46



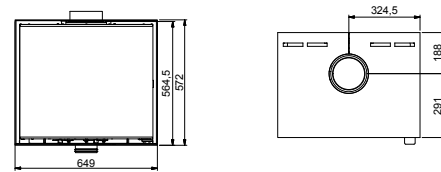
SCAN 1001

PAGE 44



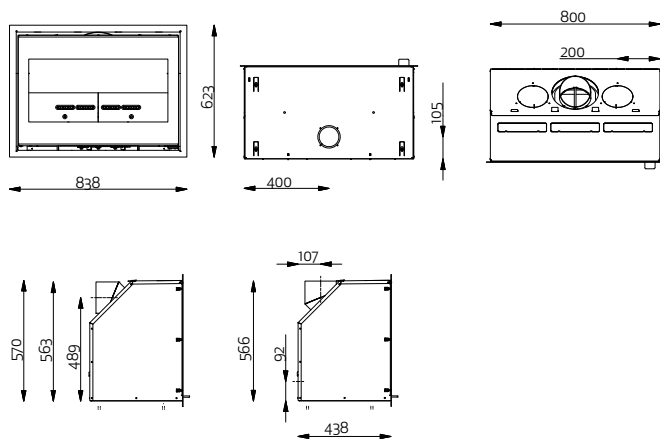
SCAN 1010 WALL

PAGE 46



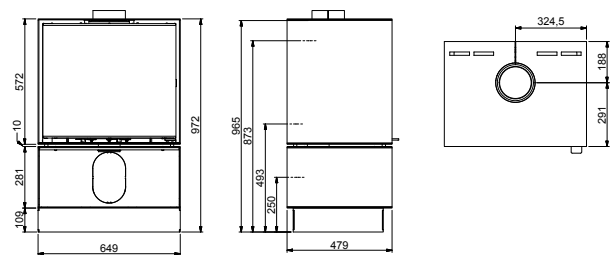
SCAN 1002

PAGE 44



SCAN 1010 WITH BASE AND PLINTH

PAGE 46





For us it is not just about warmth, but about delivering a perfect flame, enclosed in a design-conscious piece of furniture to suit the majority of homes.

Retailer info: