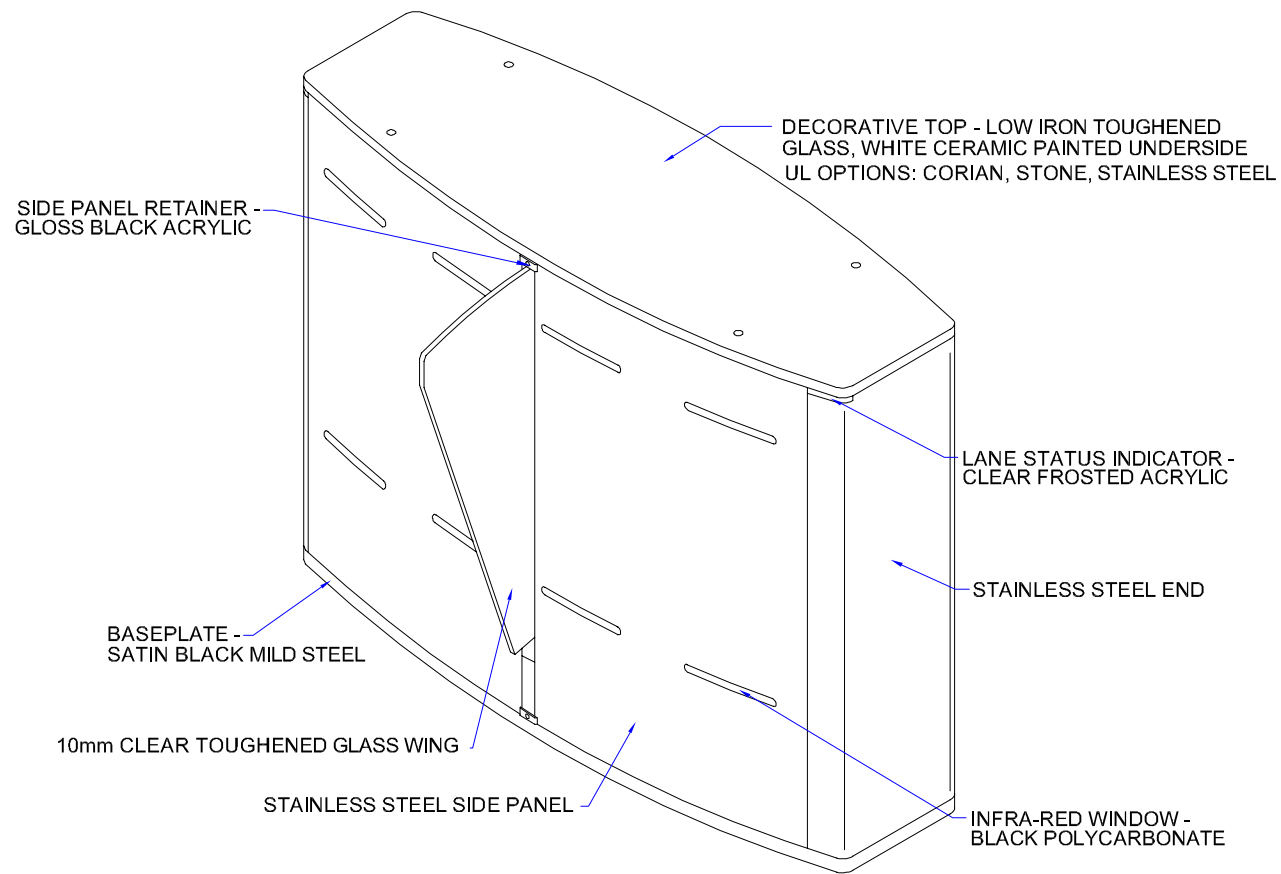
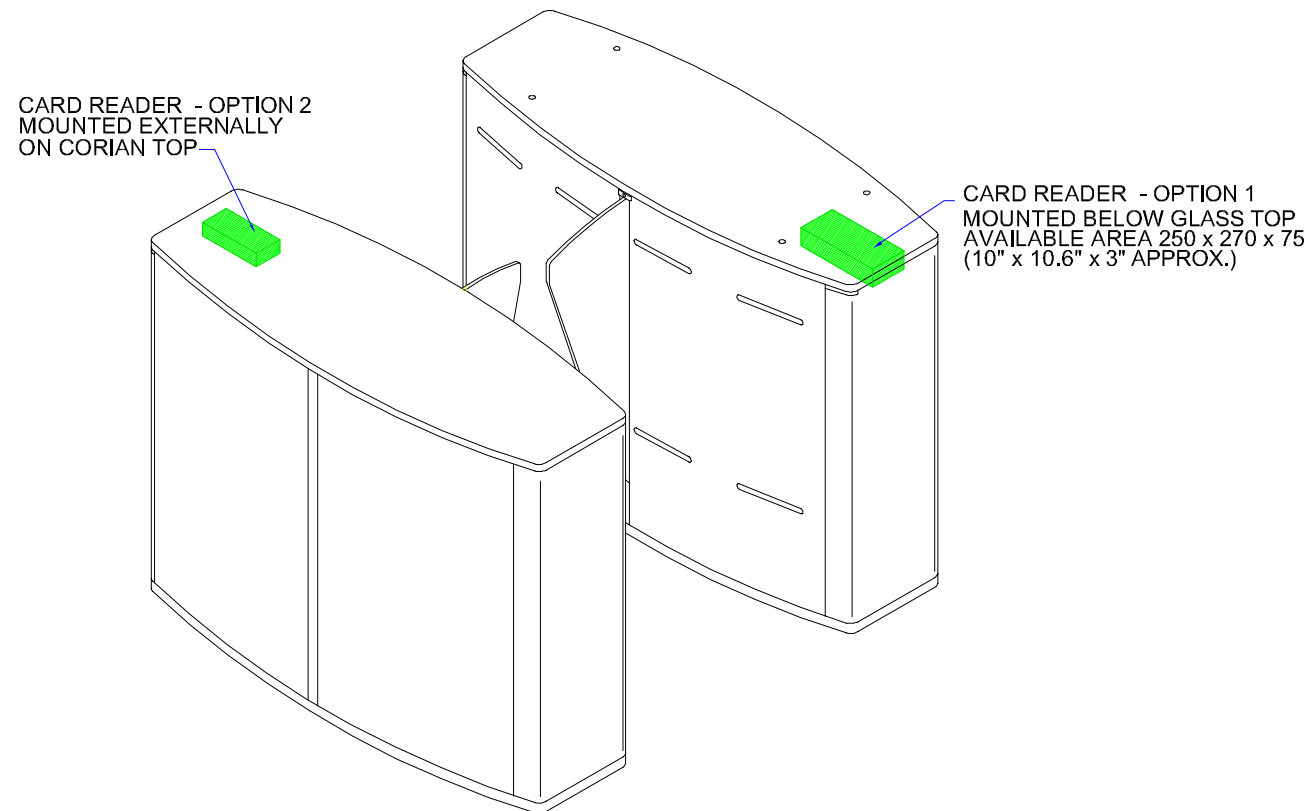


MATERIAL SPECIFICATIONS

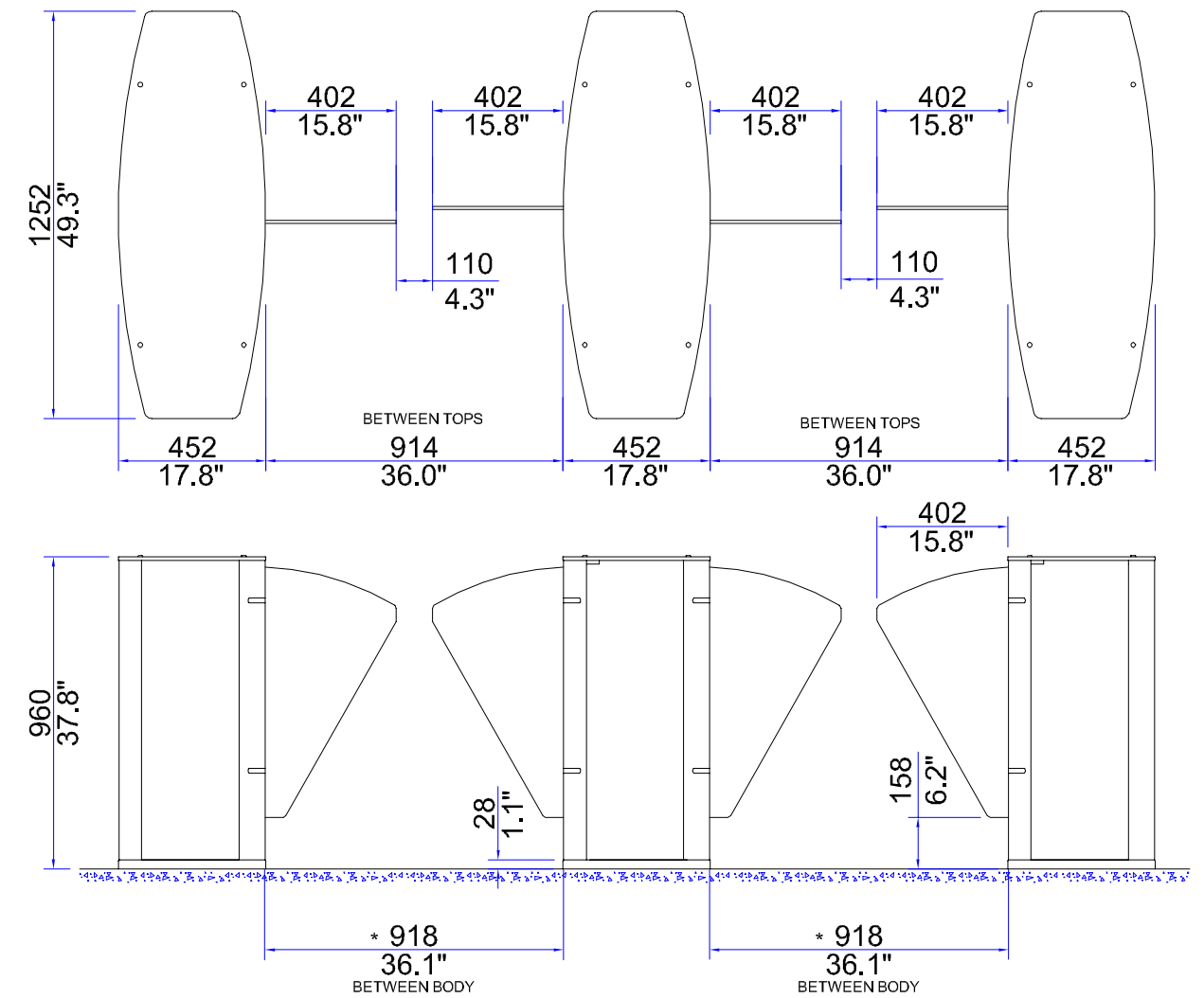


ALL GLASS IS TOUGHENED - EN14179 / ANSI Z97.1
ALL STAINLESS STEEL IS 304 GRADE SATIN FINISH AND 240 GRIT WITH HORIZONTAL GRAIN

READER MOUNTING OPTIONS

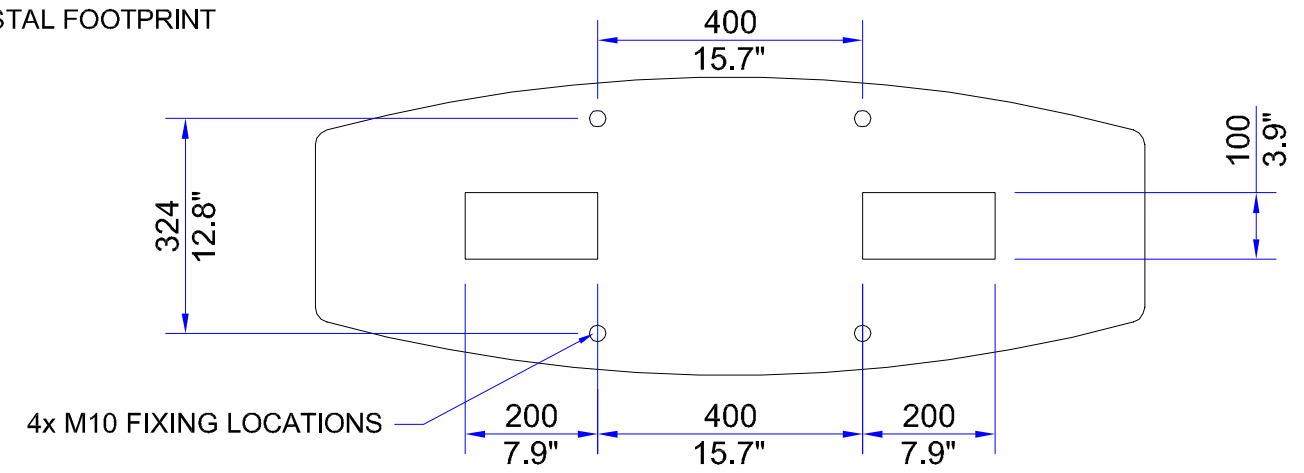


LANE LAYOUT & GENERAL DIMENSIONS



* SUBJECT TO LOCAL LEGISLATION

PEDESTAL FOOTPRINT



PRODUCT: GLASSWING DDA
TITLE: GENERAL INFORMATION

DRAWING No: GWDDAS_A2
FOR SALES INFORMATION ONLY-SUBJECT TO CHANGE
ALL DIMENSIONS +/-2mm
This document is the copyright of Integrated Design LTD

