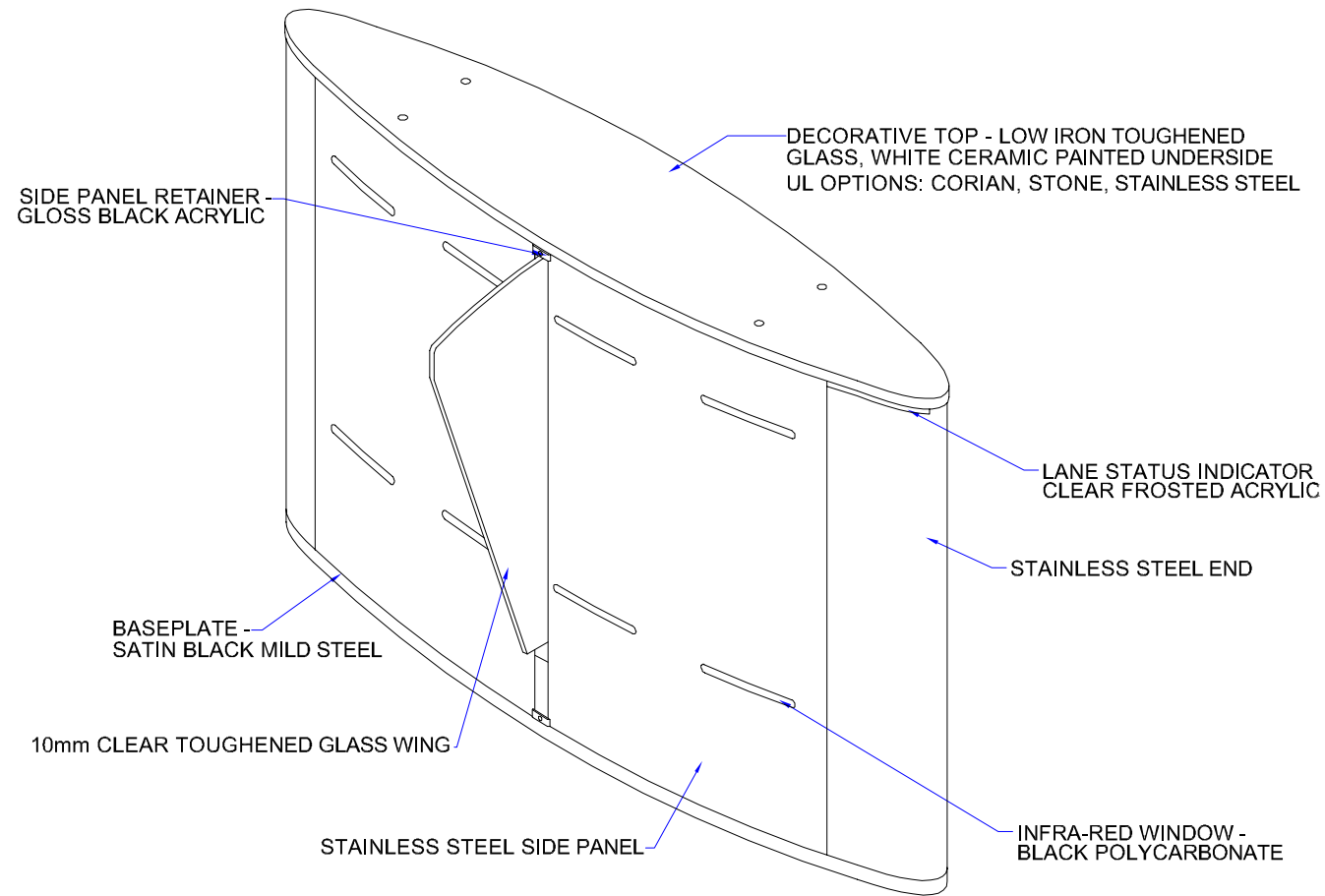
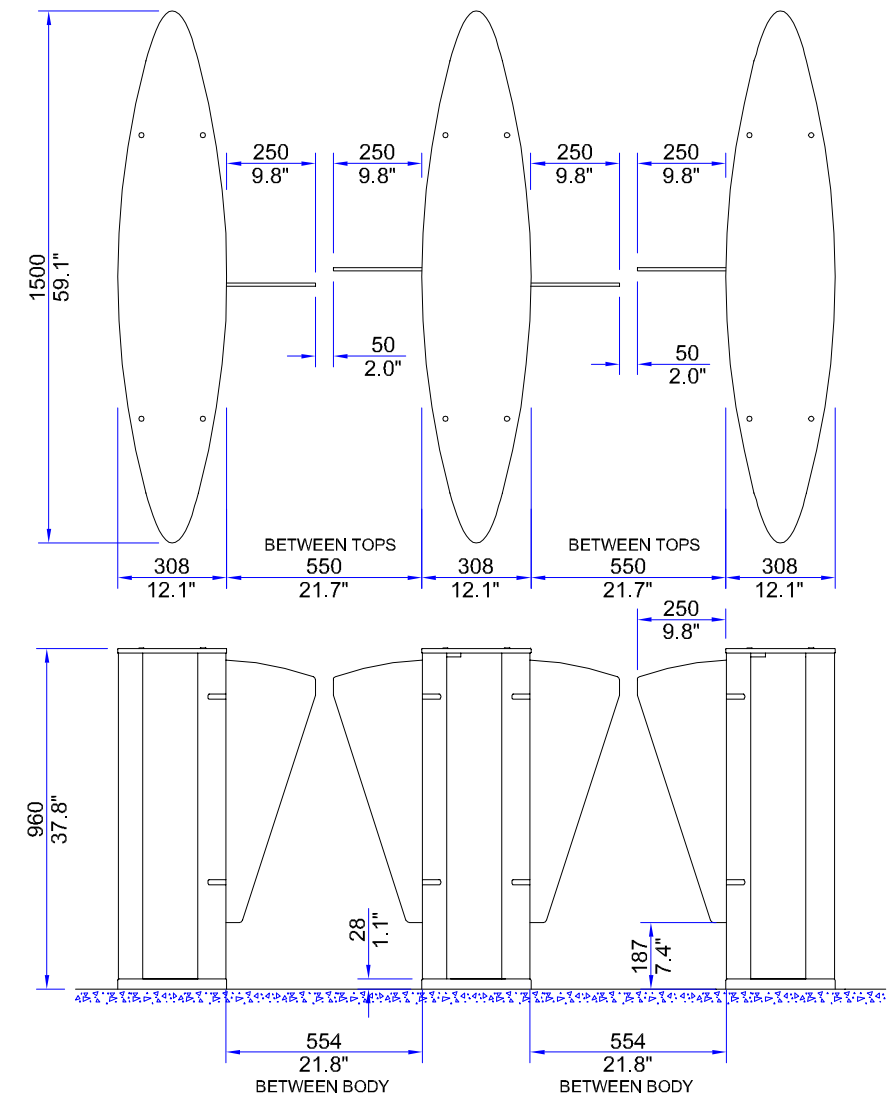


MATERIAL SPECIFICATION

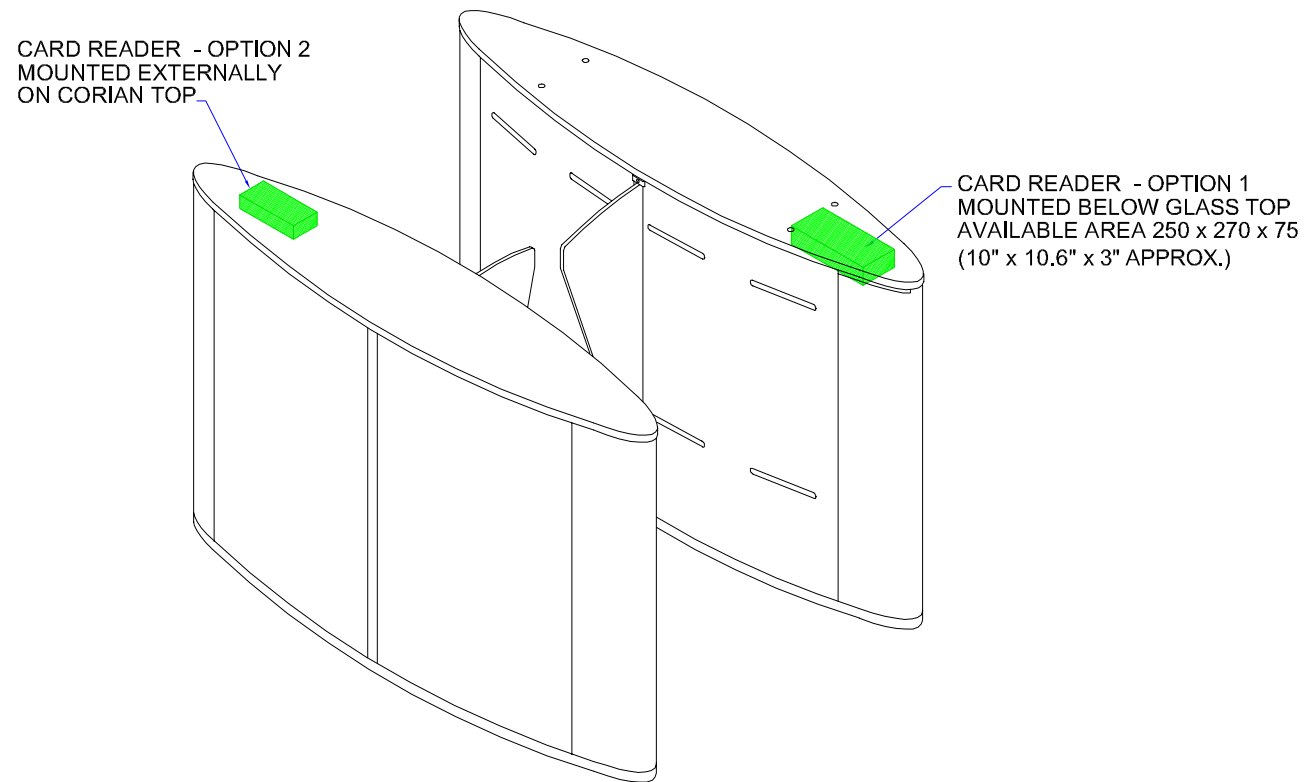


ALL GLASS IS TOUGHENED - EN14179 / ANSI Z97.1
 ALL STAINLESS STEEL IS 304 GRADE SATIN FINISH AND 240 GRIT WITH HORIZONTAL GRAIN

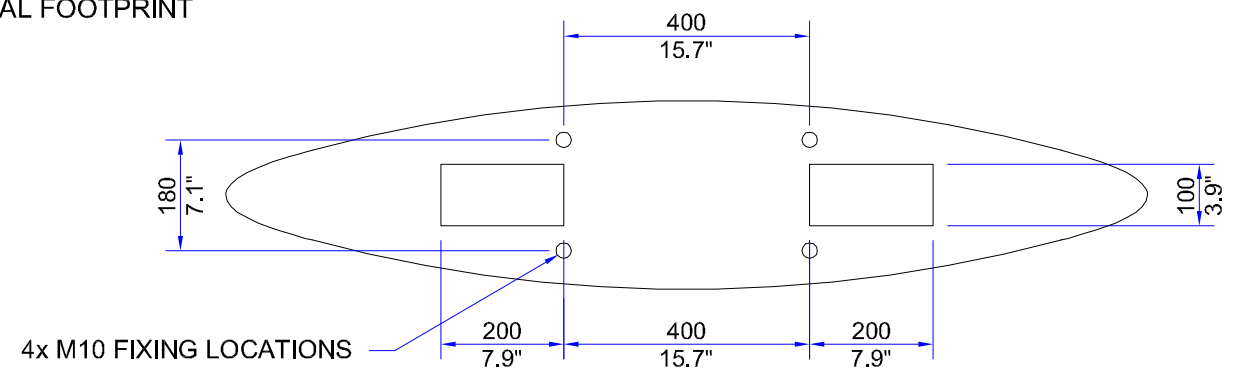
LANE LAYOUT & GENERAL DIMENSIONS



READER MOUNTING OPTIONS



PEDESTAL FOOTPRINT



PRODUCT: GLASSWING COMPACT

TITLE: GENERAL INFORMATION

DRAWING No: GWCPT_A2

FOR SALES INFORMATION ONLY-SUBJECT TO CHANGE
 ALL DIMENSIONS +/-2mm

This document is the copyright of Integrated Design LTD

