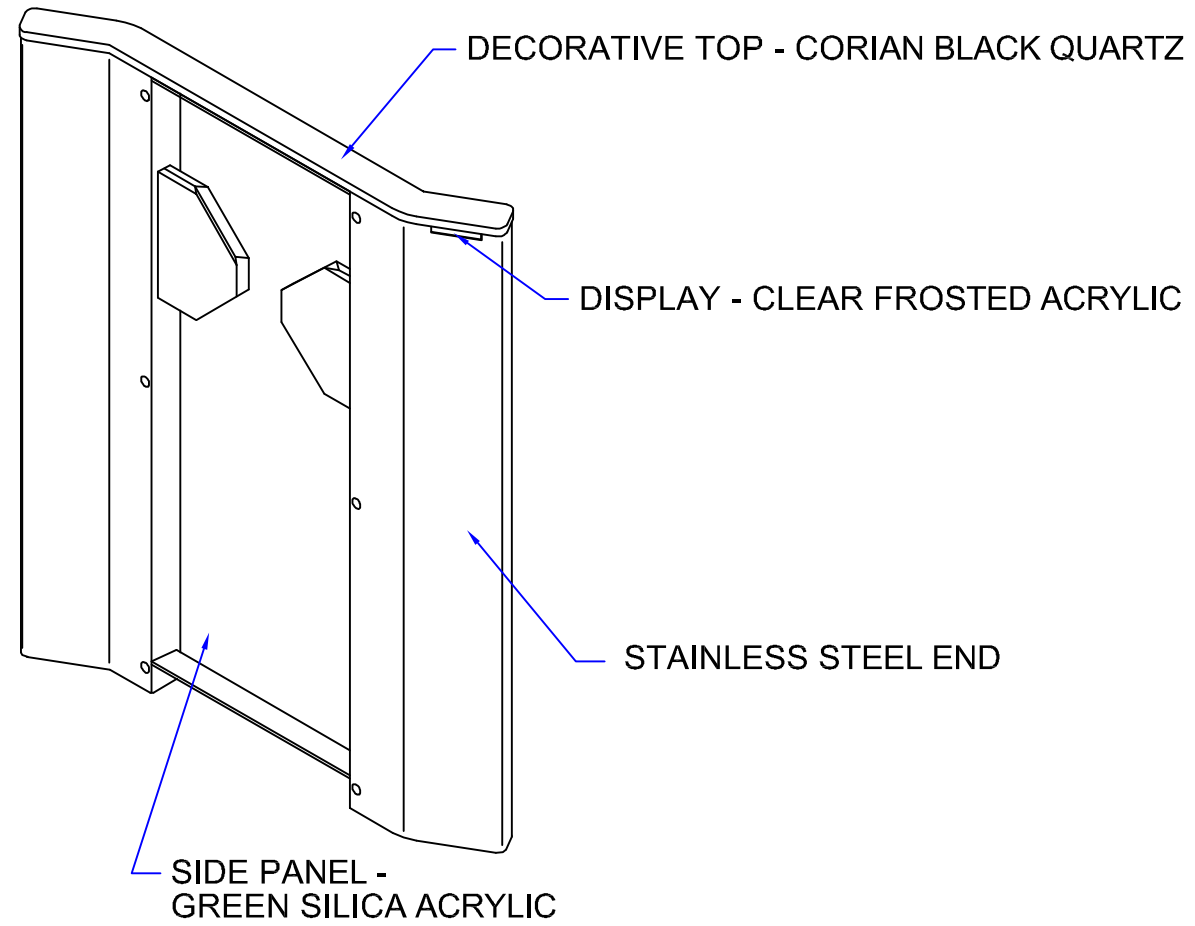
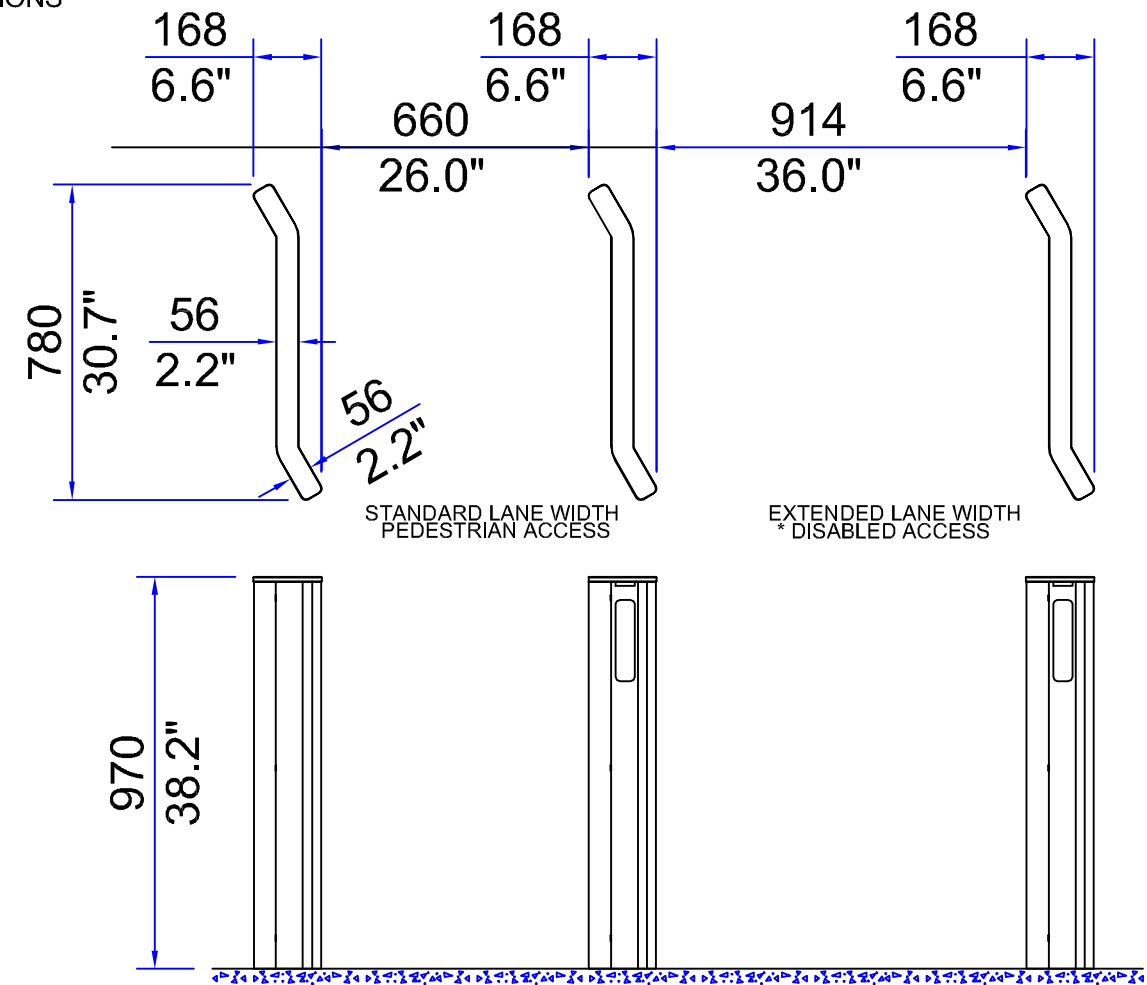


MATERIAL SPECIFICATIONS



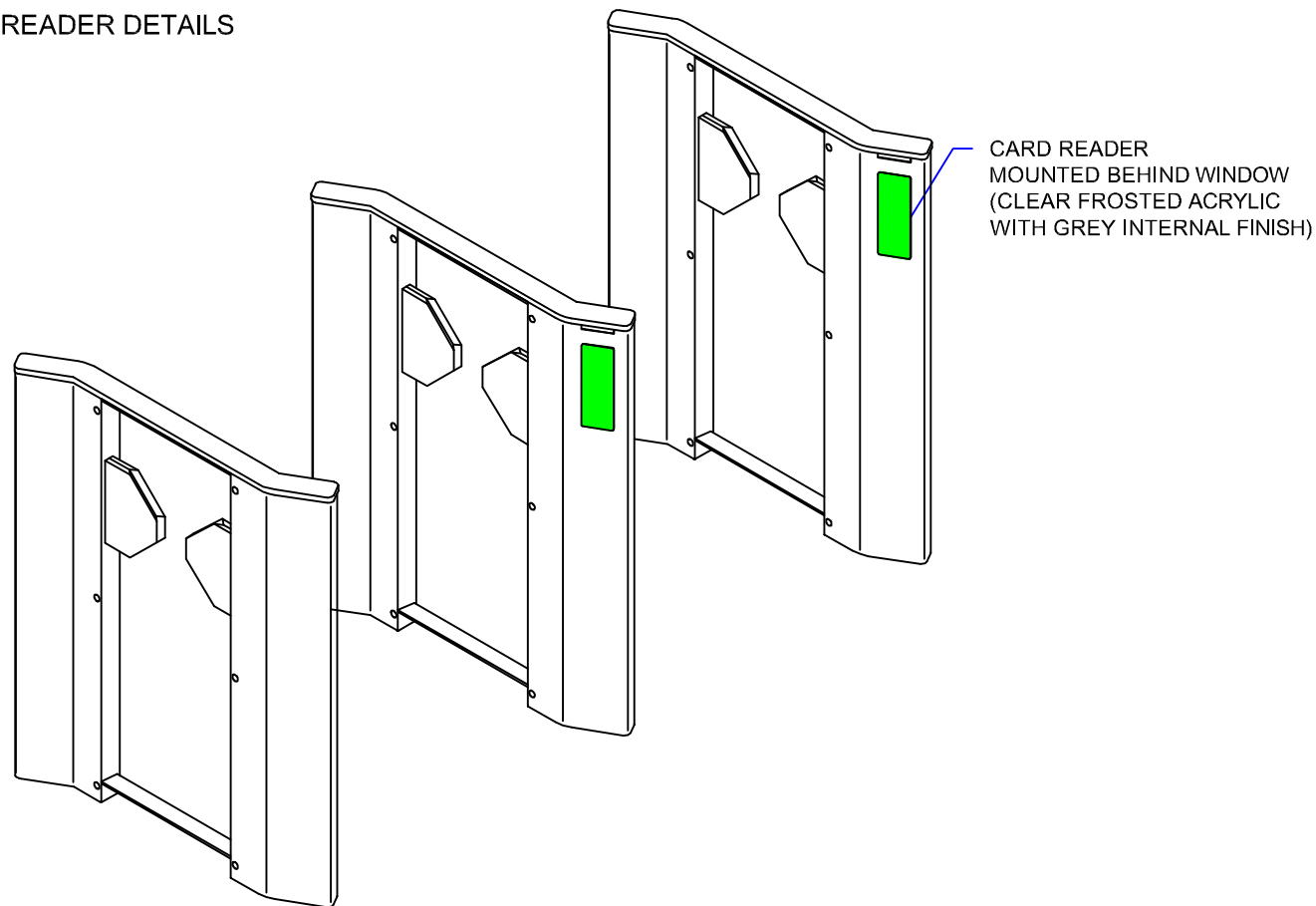
ALL STAINLESS STEEL IS 304 GRADE SATIN FINISH AND 240 GRIT WITH HORIZONTAL GRAIN

LANE LAYOUT & GENERAL DIMENSIONS

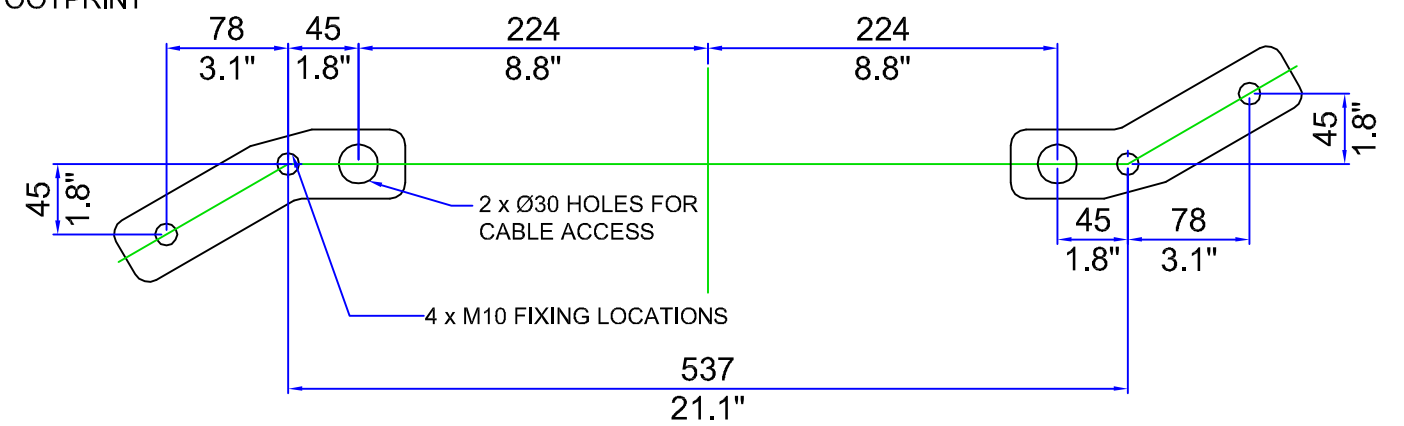


* SUBJECT TO LOCAL LEGISLATION

READER DETAILS



PEDESTAL FOOTPRINT



PRODUCT: CLEARSTYLE 400

TITLE: GENERAL INFORMATION

DRAWING No: CS400_A1

FOR SALES INFORMATION ONLY- SUBJECT TO CHANGE ALL DIMENSIONS +/-2mm

This document is the copyright of Integrated Design LTD

